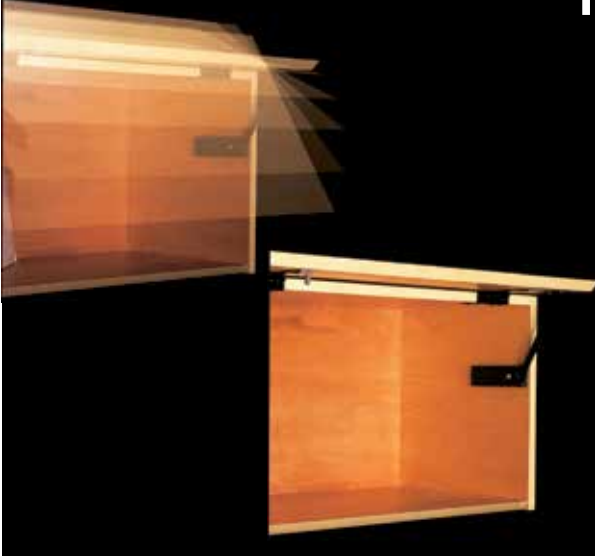


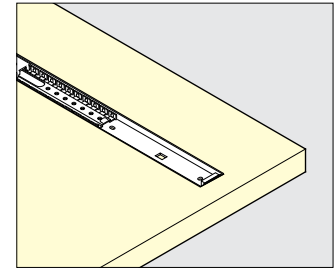
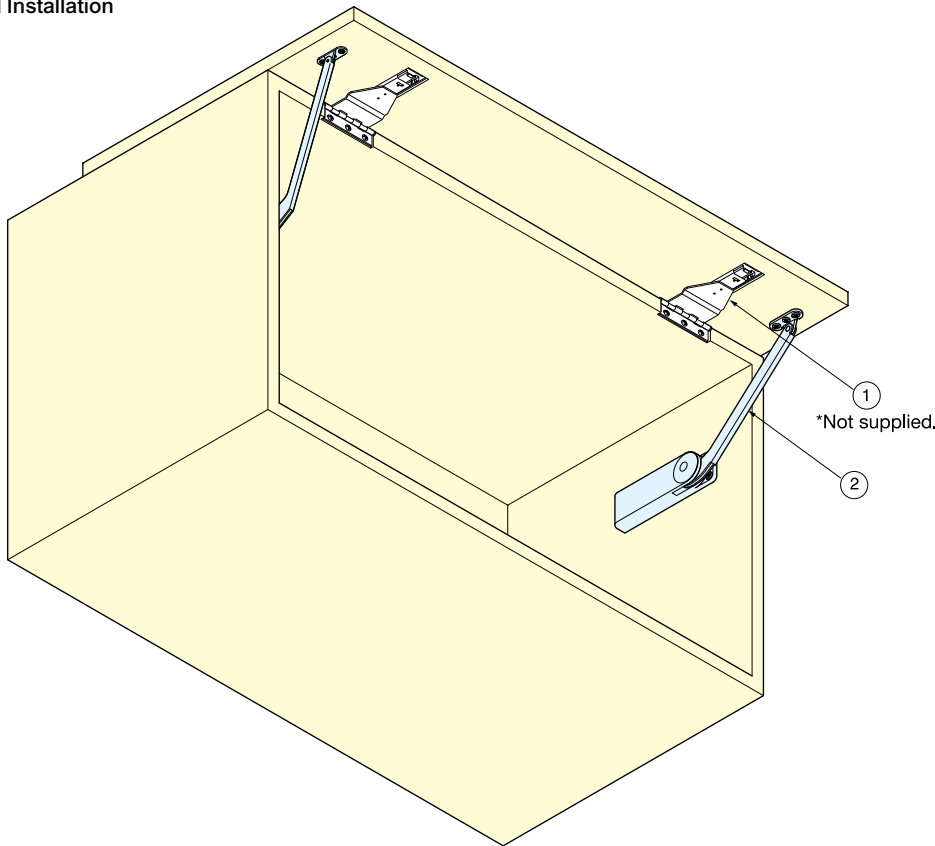
# OV-EZ LIFT-ASSIST MECHANISM FOR OVER-THE-TOP FLIPPER DOORS



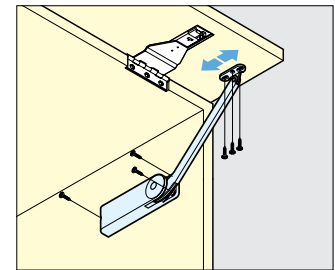
- Assists in opening of flipper doors with minimal resistance.
- Doors will not slam shut.
- Ideal for overhead binder bins, laboratory and kitchen cabinets, etc.
- Successfully passed 30,000 open/close private cycle tests.

Designed to operate at room temperature  
0°~40°C (32°~104°F).

## Installation



① Install ball bearing flipper slide rails. (Not supplied.)



② Mount the OV-EZ mechanism to the side wall of the cabinet as illustrated in installation instructions provided with the product.

## Recommended Door Size and Weight

Item No.	Door Weight For Easy-Up (kg)	Door Weight For Free-Stop (kg)	Door Height (mm)	Weight (g)	Box (pcs)	Carton (pcs)
OV-EZ-3/BL	2.5~4.0 ( 5.5~8.8 lbs )	4~6.5 ( 8.8~14.3 lbs )	Approx. 400 (15-3/4")	260	50	500
OV-EZ-5/BL	3.5~5.5 ( 7.7~11.0 lbs )	5~8.0 ( 11.0~17.5 lbs )		270		
OV-EZ-7/BL	4.5~6.0 ( 9.9~13.2 lbs )	6~10.0 ( 13.2~22.0 lbs )		280		
OV-EZ-9/BL	5.5~7.0 ( 12.0~15.3 lbs )	7~11.5 ( 15.4~25.2 lbs )		290		

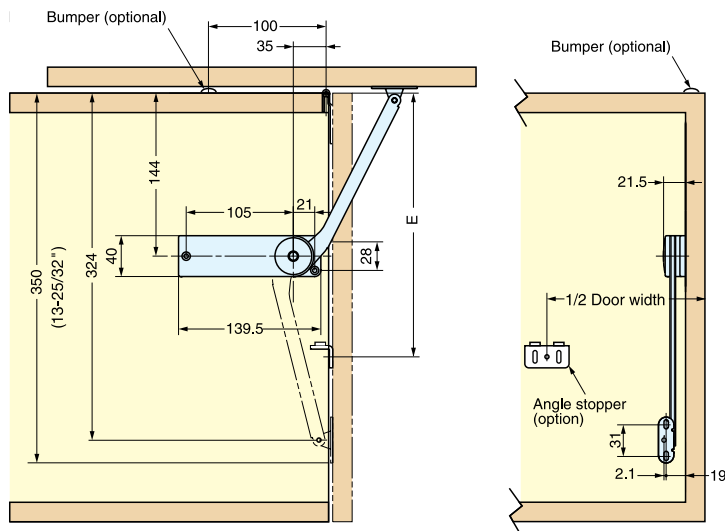
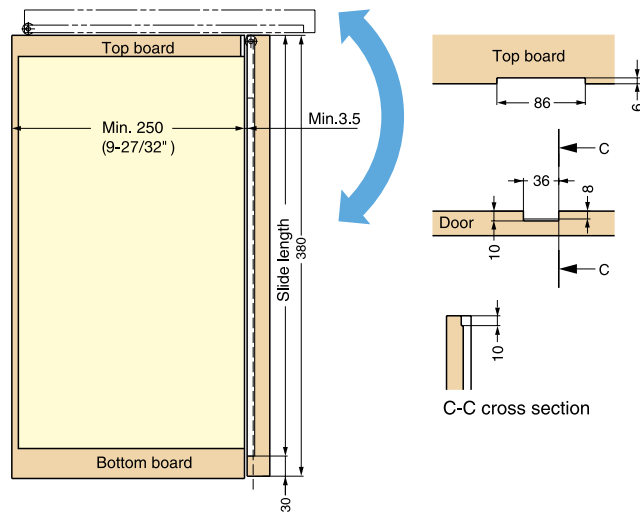
# LIFT-ASSIST MECHANISM



OV-EZ



\* Used in pairs



Part Name	Material	Finish/Color
Housing	ABS	Black
Arm and Mounting Plate	Steel	Nickel