



# HES2S-140-A125

Adjustable Concealed Hinge (Surface Mount)

- Surface mounts to the door frame for easy installation.
- Compact and sturdy design combined with an exceptionally simple install.
- Adjustable depth  $\pm 1/8"$  (3 mm), vertical  $\pm 1/8"$  (3 mm), horizontal with spacer  $\pm 1/16"$  (1 mm).
- Successfully passed 300,000 open/close private cycles.



# ADJUSTABLE CONCEALED HINGE



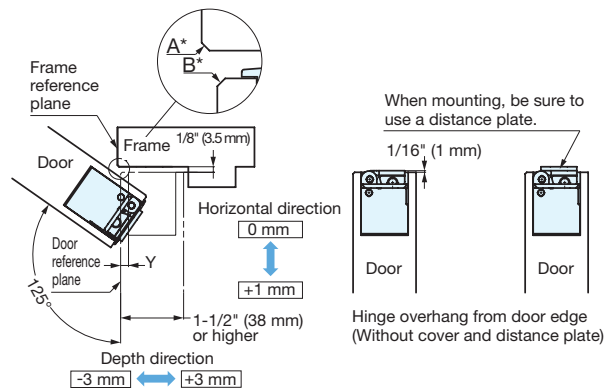
## HES2S-140-A125



- Surface mounts to the door frame for easy installation.
- Minimum door thickness is 1-1/2" (38 mm) or more.
- Opens to 125°. Door stopper is required to prevent breakage of the hinges and failure of the door.
- Successfully passed 300,000 open/close private cycles.
- Compact and sturdy design combined with an exceptionally simple install.
- Adjustable depth  $\pm 1/8"$  (3 mm), vertical  $\pm 1/8"$  (3 mm), horizontal with spacer  $\pm 1/16"$  (1 mm)

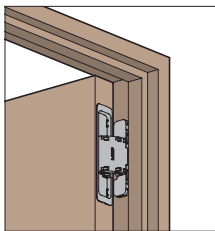
### Locus Chart

Drill at the \* mark in the figure (door/frame corner).

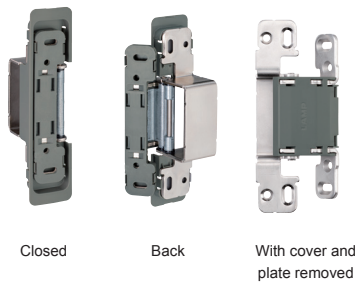


Y: Door Machining Margin	B: Door chamfering	A: Frame chamfering
4 or below	1 or higher	1 or higher
5		

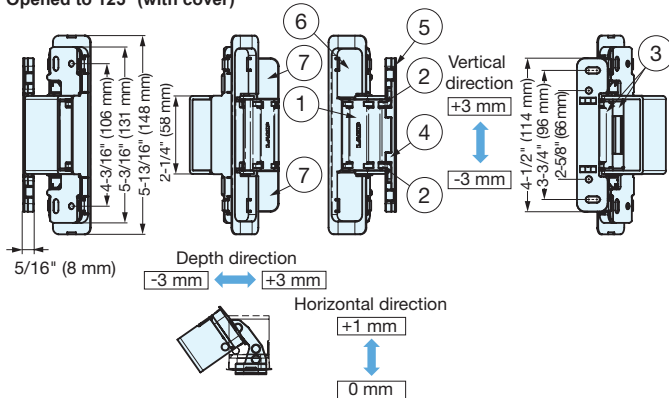
### Application Image



With front screws not requiring frame side drilling, installation is simple.

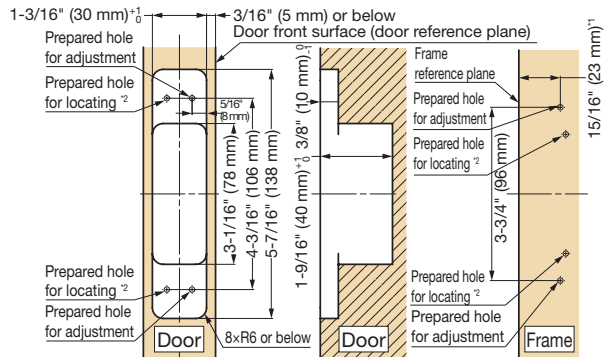


### Opened to 125° (with cover)



### Cut Out Dimensions

Drill pilot holes at the positions of the adjustment and locating screws.

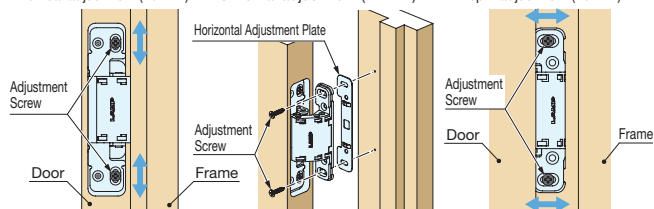


<sup>1</sup> When door machining margin is 3/16" (5 mm).

<sup>2</sup> The position of prepared hole for locating changes according to adjustment.

### Door Position Adjustment

- Vertical adjustment ( $\pm 3$  mm)
- Horizontal adjustment (+1 mm)
- Depth adjustment ( $\pm 3$  mm)



Adjust in the vertical/depth directions with oval hole screws and in the horizontal direction with the plate.

No.	Part Name	Material	Finish
①	Body	POM	Dark Grey, Light Grey, Black
②	Base Plate	SPCC	Nickel
③	Arm	Zinc Alloy	Chemical Treatment
④	Distance Plate	PBT	Dark Grey, Light Grey, Matte Black
⑤	Horizontal Adjustment Plate	POM	
⑥	Socket Cover	ABS	
⑦	Base Plate Cover		

Item No.	Color	Door Width	Door Height	Door Thickness	Door Weight/ 2 pcs	Door Weight/ 3 pcs	Opening Angle
HES2S-140-A125-DGR	Dark Grey	Max. 35-7/16" (900 mm)	Max. 106-5/16" (2700 mm)	Min. 1-1/2" (38 mm)	Max. 110 lbs (50 kg)	Max. 143 lbs (65 kg)	125°
HES2S-140-A125-LGR	Light Grey						
HES2S-140-A125-BL	Matte Black						