

# FASTMOUNT

PANEL MOUNTING SOLUTIONS

## PRODUCT CATALOG



[www.sugatsune.com](http://www.sugatsune.com)

SUGATSUNE

# CONTENTS

**Product Applications** ..... 2

**Architectural Clip Selection Guide** ..... 2

**Standard Profile Range** ..... 3, 4

**Female Clips**

 PC-F1A: SELF TAPPING

 PC-SF1: SURFACE MOUNT

 PC-RF1-B: SIDE SURFACE MOUNT

 PC-AF1: AUTO FIT

 PC-DC1: MASONRY AND DRYWALL ADAPTER FOR PC-F1A

**Male Clips**

 PC-M1B: SELF TAPPING

 PC-M2H: SELF TAPPING HEAVY DUTY

 PC-VM1: VARIO SELF TAPPING

 PC-VMX: VARIO SELF TAPPING HEAVY DUTY

 PC-SM2: SURFACE MOUNT

 PC-SM2H: SURFACE MOUNT

 PC-SM1AC: SURFACE MOUNT ACOUSTIC PANEL LIGHTWEIGHT

 PC-SVMX: SCREW FIX HEAVY DUTY

**Low Profile Range** ..... 5

**Female Clips**

 LP-F8: SELF TAPPING

 LP-DF8: SELF TAPPING COARSE THREAD

 LP-AF8A: AUTO FIT

**Male Clips**

 LP-M8A: SELF TAPPING

 LP-SM8AS: SURFACE MOUNT

 LP-SMX: SURFACE MOUNT

**Very Low Profile Range** ..... 6

 VL-03: CLIP SET

 VL-03H: HEAVY DUTY CLIP SET

 VL-03FR: FIRE RATED CLIP SET

**Stratlock™ Range** ..... 7

**Female Clips**

 SL-SFA

**Male Clips**

 SL-M18

**Metal Range** ..... 8

**Female Clips**

 MC-F5: SELF TAPPING MAXI METAL

 MC-F10: SELF TAPPING MAXI METAL HEAVY DUTY

**Male Clips**

 MC-M5: MAXI METAL SELF TAPPING

**Textile Range** ..... 9

**Female Clips**

 TC-F6H: TEXTILE CLIP QUICK RELEASE TYPE

**Male Clips**

 TC-M6: TEXTILE CLIP SCREW-IN TYPE

 TC-SM6: TEXTILE CLIP SELF-ADHESIVE TYPE

**Panel Control** ..... 10

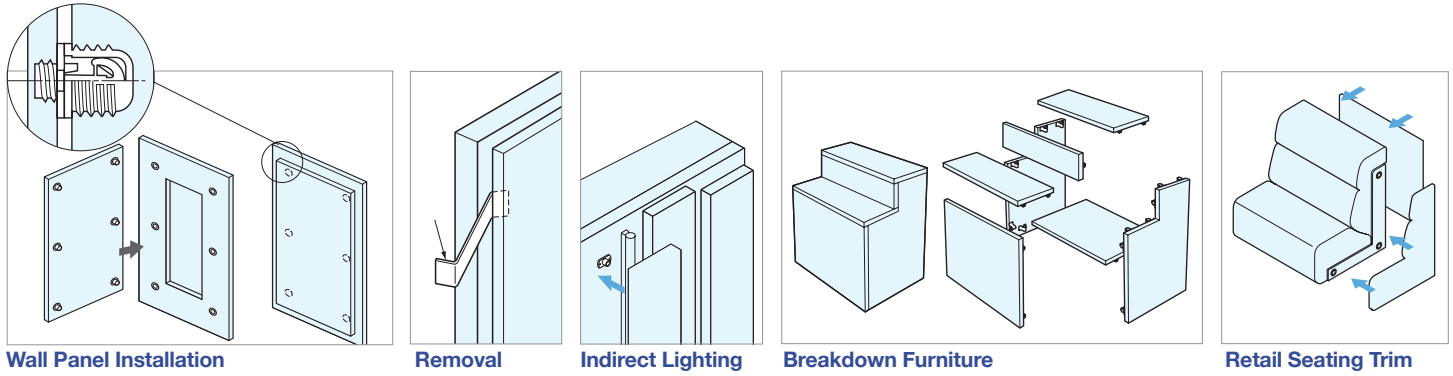
 PS-150E: SELF TAPPING

 PS-S150E: SURFACE MOUNT

**Technical Notes** ..... 11, 12

**Installation Tools** ..... 13

# Product Applications

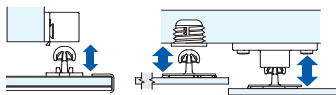


## Which Clips Should I Use?

Fastmount® clips vary in size, shape, and function for use in various applications. “Profile” refers to the thickness of the support substrate; the thickness and material of the support substrate will determine the type of clips best suited to your application:

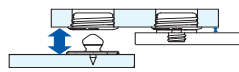
### Standard Profile Clips

- Self-tapping clips can be used in applications with support substrate 9/16" or thicker; surface mount clips can be used with thinner support materials such as steel frames.
- Self-tapping, surface mount, and side surface mount clip options available.
- For use with wall and ceiling panels.
- Clip option for curved panels available.
- PC-DC1 masonry adapter for PC-F1A available for brick, concrete, and drywall.



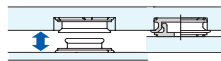
### Low Profile Clips

- For applications with support substrate 3/8" or thicker.
- LP-DF8 Clip option for drywall mounting available (wall panels only).



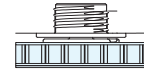
### Very Low Profile Clips

- Can be surface or recessed mounted – no minimum substrate thickness.
- No specialized tools required for installation.
- VL clips can be used with a two part epoxy appropriate for the material of your substrate and panel.
- Fire resistant model available.
- For light weight panels.



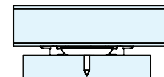
### Metal Clips

- Metal clip to withstand high temperatures.
- Allows for tolerance and panel flex (self-centering).
- Provides acoustic and vibration isolation.



### Textile Clips

- Enables quick installation and easy removal of cushions.
- Replaces hook-and-loop tapes, snaps, and straps for cushions on outdoor furniture and marine applications.



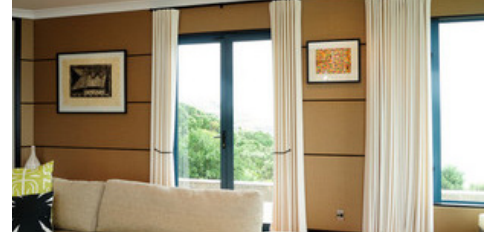
## Architectural Clip Selection Guide


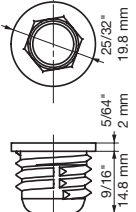
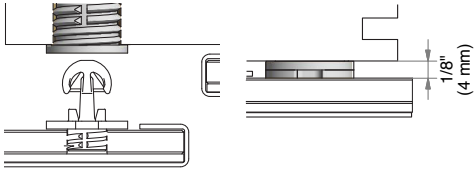

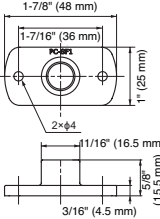
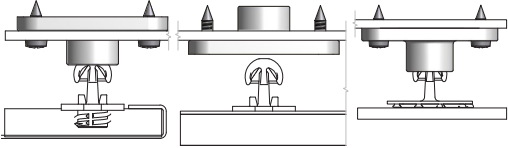
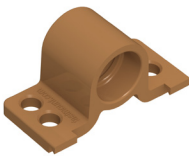
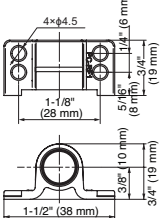
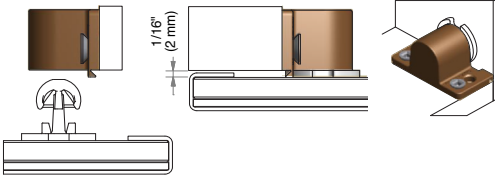

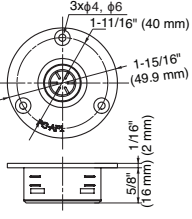
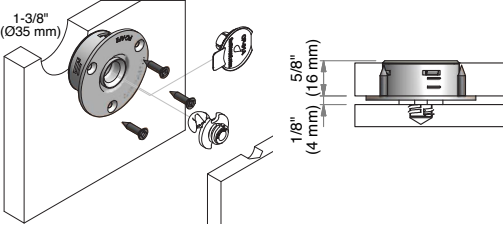

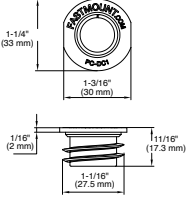
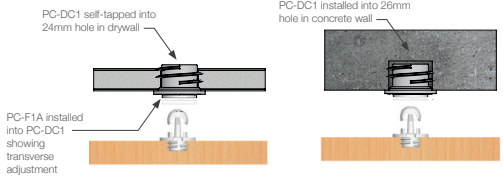
SUBSTRATE	PLYWOOD PANEL	MDF PANEL	PARTICLE BOARD	ACOUSTIC PANEL	HONEYCOMB PANEL
WOOD FRAMES	PC-F1A + PC-VM1 PC-F1A + PC-M2H PC-F1A + PC-SM2H	PC-F1A + PC-VM1 PC-F1A + PC-M2H	PC-F1A + PC-VM1 PC-F1A + PC-M2H	LP-F8 + LP-SM8AS	LP-F8 + LP-SM8AS
STEEL FRAMES	PC-SF1 + PC-M1B PC-SF1 + PC-M2H PC-SF1 + PC-SM2 PC-SF1 + PC-SM2H	PC-SF1 + PC-M1B PC-SF1 + PC-SM2H	PC-SF1 + PC-M1B PC-SF1 + PC-SM2H + glue thread	PC-SF1 + PC-SM2	PC-SF1 + PC-SM2
CONCRETE	PC-DC1 + PC-F1A + PC-VM1 PC-DC1 + PC-F1A + PC-M2H PC-DC1 + PC-F1A + PC-SM2H	PC-DC1 + PC-F1A + PC-VM1 PC-DC1 + PC-F1A + PC-M2H	PC-DC1 + PC-F1A + PC-VM1 PC-DC1 + PC-F1A + PC-M2H	PC-DC1 + PC-F1A + PC-SM1AC	PC-DC1 + PC-F1A + PC-SM2 PC-DC1 + PC-F1A + PC-SM2H
CONCRETE + WOOD FRAMES	PC-F1A + PC-M2H PC-F1A + PC-SM2 PC-F1A + PC-SM2H	PC-F1A + PC-M2H PC-F1A + PC-SM2 PC-F1A + PC-SM2H	PC-F1A + PC-M2H PC-F1A + PC-SM2 PC-F1A + PC-SM2H	<b>Must use</b> Wood Frames + LP-F8 + LP-SM8AS	<b>Must use</b> Wood Frames + LP-F8 + LP-SM8AS
DRYWALL	LP-DF8 + LP-M8A LP-DF8 + LP-SM8AS PC-DC1 + PC-F1A + PC-VM1 PC-DC1 + PC-F1A + PC-M2H PC-DC1 + PC-F1A + PC-SM2H	LP-DF8 + LP-M8A LP-DF8 + LP-SM8AS PC-DC1 + PC-F1A + PC-VM1 PC-DC1 + PC-F1A + PC-M2H	LP-DF8 + LP-M8A LP-DF8 + LP-SM8AS PC-DC1 + PC-F1A + PC-VM1 PC-DC1 + PC-F1A + PC-M2H	LP-DF8 + LP-SM8AS with HMA (hot glue) PC-DC1 + PC-F1A + PC-SM1AC	LP-DF8 + LP-SM8AS - with epoxy glue PC-DC1 + PC-F1A + PC-SM2 PC-DC1 + PC-F1A + PC-SM2H
PLYWOOD, MDF	PC-F1A + PC-M1B PC-F1A + PC-M2H PC-F1A + PC-SM2 PC-F1A + PC-SM2H	PC-F1A + PC-M1B PC-F1A + PC-M2H PC-F1A + PC-SM2 PC-F1A + PC-SM2H	PC-F1A + PC-M1B PC-F1A + PC-M2H PC-F1A + PC-SM2 PC-F1A + PC-SM2H	LP-F8 + LP-SM8AS	LP-F8 + LP-SM8AS - with epoxy glue

This Clip Selection Guide should be used as a general guide only. Please contact customer service for more detailed advice if required. For overhead panels, a trial installation is strongly recommended to prove compatibility of Fastmount® systems with the panels and substrates in your project.

# Standard Profile Range

The Standard Profile Clips offer the greatest variety of installation options and can be used for both wall and ceiling panels. Self-tapping clips can be used in applications with support substrate 9/16" or thicker; surface mount clips can be used with thinner support materials such as steel frames.



Female Clips			
Item No.	Dimensions	Diagram	Description
<p><b>PC-F1A</b></p> 			<p><b>SELF TAPPING</b></p> <p><b>Mounts into:</b> 0.66" (16.8mm) hole drill with CT-01, CT-07</p> <p><b>Install with:</b> CT-03</p> <p><b>Compatible with Standard Profile Male Clips:</b> PC-M1B, PC-M2H, PC-VM1, PC-VMX, PC-SM1AC PC-SM2, PC-SM2H</p> <p><b>Box:</b> 100      <b>Carton:</b> 500</p>
<p><b>PC-SF1</b></p> 			<p><b>SURFACE MOUNT</b></p> <p>Affix with #6 screws.</p> <p><b>Compatible with Standard Profile Male Clips:</b> PC-M1B, PC-M2H, PC-VM1, PC-VMX, PC-SM1AC PC-SM2, PC-SM2H</p> <p><b>Box:</b> 100      <b>Carton:</b> 700</p>
<p><b>PC-RF1-B</b></p> 			<p><b>SIDE SURFACE MOUNT</b></p> <p>Affix with #6 screws.</p> <p><b>Compatible with Standard Profile Male Clips:</b> PC-M1B, PC-M2H, PC-VM1, PC-VMX, PC-SM1AC PC-SM2, PC-SM2H</p> <p><b>Box:</b> 100      <b>Carton:</b> 1,000</p>
<p><b>PC-AF1</b></p> 			<p><b>AUTO FIT</b></p> <p>Lateral adjustment for use with curved panels. Affix with #6 screws.</p> <p><b>Mounts into:</b> 1-3/8" (35mm) hole</p> <p><b>Compatible with Standard Profile Male Clips:</b> PC-M1B, PC-M2H, PC-VM1, PC-VMX, PC-SM1AC PC-SM2, PC-SM2H</p> <p><b>Box:</b> 25      <b>Carton:</b> 100</p>
<p><b>PC-DC1</b></p> 			<p><b>SELF TAPPING</b></p> <p>Masonry Drywall Adapter for PC-F1A</p> <p><b>Mounts into:</b> 1" (24~26mm) hole</p> <p><b>Use with:</b> PC-F1A</p> <p><b>Install with:</b> rubber mallet (not provided).</p> <p><b>Box:</b> 100      <b>Carton:</b> 600</p>

**Accessories**

**CP-01-ST STAINLESS STEEL TIP**



Stainless Steel tip for marking panels made of hard materials. Fits into the PC-F1A, PC-SF1, PC-RF1 and PC-AF1 female clips. Use to mark hole center in panel for correct clip alignment.

**Installation Tools: Standard Profile**


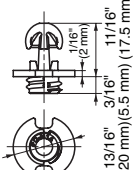
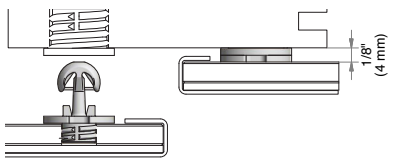

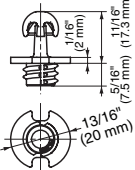
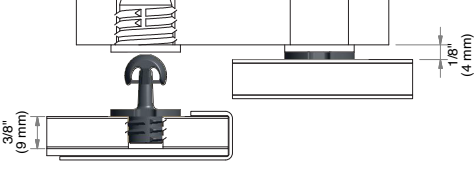

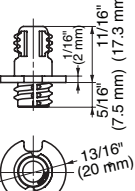
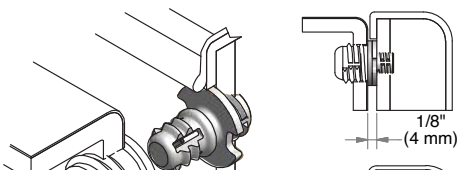

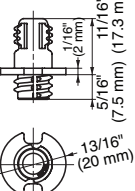


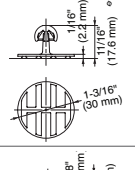
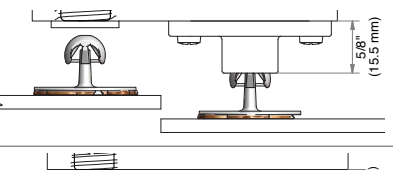

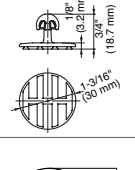
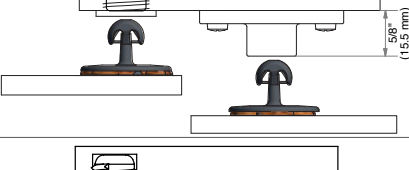

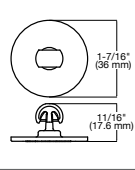
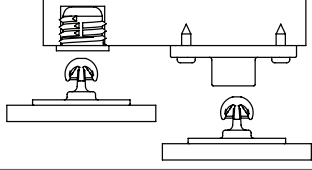

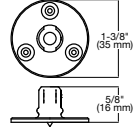
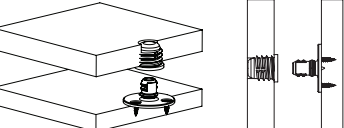


**CT-08 YARD KIT 6 TOOLS**

One each CT-01, CT-03, CT-05, CT-07, CT-09, and CT-10 in plastic box. Use to install self-tapping standard profile clips.


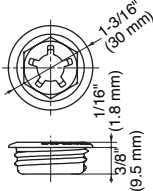
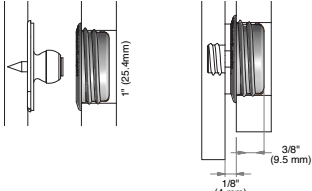

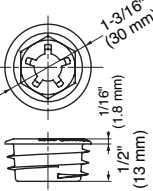
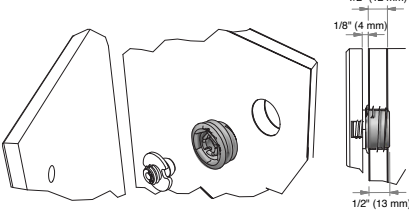

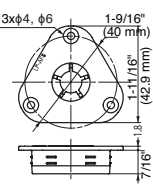
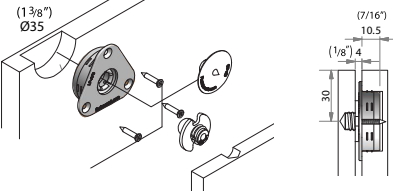
# Standard Profile Range


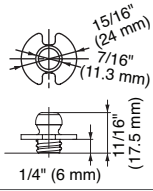
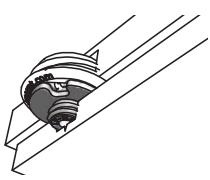

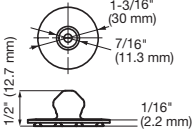
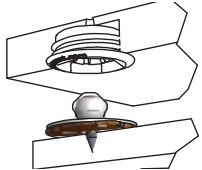

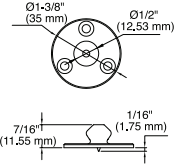
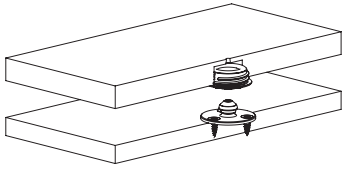


Male Clips			
Item No.	Dimensions	Diagram	Description
<b>PC-M1B</b> 			<b>SELF TAPPING</b> Mounts into: 3/8" (10mm) hole drilled with CT-01 or CT-09 Fits into: PC-F1A, PC-SF1, PC-RF1, PC-AF1 Install with: CT-10 Pull Out Force: 11 lbs (5kg) Box: 100      Carton: 2,000
<b>PC-M2H</b> 			<b>SELF TAPPING HEAVY DUTY</b> Mounts into: 3/8" (10mm) drilled with CT-01 or CT-09 Fits into: PC-F1A, PC-SF1, PC-RF1, PC-AF1 Install with: CT-10 Minimum panel thickness: 11/32" (9mm) Pull Out Force: 22 lbs (10kg) Box: 100      Carton: 500
<b>PC-VM1</b> 			<b>VARIO SELF TAPPING</b> Variable gap, high shear strength. Mounts into: 3/8" (10mm) drilled with CT-01 or CT-09 Fits into: PC-F1A, PC-SF1, PC-RF1, PC-AF1 Install with: CT-10 Minimum panel thickness: 11/32" (9mm) Pull Out Force: 11lbs (5kg) Box: 100      Carton: 2,000
<b>PC-VMX</b> 			<b>VARIO SELF TAPPING HEAVY DUTY</b> Variable gap, high shear strength. Mounts into: 3/8" (10mm) drilled with CT-01 or CT-09 Fits into: PC-F1A, PC-SF1, PC-RF1, PC-AF1 Install with: CT-10 Minimum panel thickness: 11/32" (9mm) Pull Out Force: 33 lbs (15kg) Box: 100      Carton: 500
<b>PC-SM2</b> 			<b>SURFACE MOUNT</b> Adhesive fix super-groove base. Fits into: PC-F1A, PC-SF1, PC-RF1, PC-AF1 Pull Out Force: 11lbs (5kg) Box: 100      Carton: 1,500
<b>PC-SM2H</b> 			<b>SURFACE MOUNT HEAVY DUTY</b> Adhesive fix super-groove base. Fits into: PC-F1A, PC-SF1, PC-RF1, PC-AF1 Pull Out Force: 22 lbs (10kg) Box: 100      Carton: 500
<b>PC-SM1AC</b> 			<b>SURFACE MOUNT ACOUSTIC FABRIC PANEL LIGHTWEIGHT</b> Adhesive fix directly onto panel. Fits into: PC-F1A, PC-SF1, PC-RF1, PC-AF1 Pull Out Force: 4.4 lbs (2kg) Box: 100      Carton: 1000
<b>PC-SVMX</b> 			<b>SURFACE MOUNT HEAVY DUTY</b> Screw fix installation. Fits into: PC-F1A, PC-SF1, PC-RF1, PC-AF1 Pull Out Force: 33 lbs (15 kg) Box: 100      Carton: 500

## Low Profile Range

For applications with thin support substrates, 3/8" (10mm) or thicker. LP-DF8 option available for wall panel applications on drywall.

Female Clips			
Item No.	Dimensions	Diagram	Description
<p><b>LP-F8</b></p> 			<p><b>SELF TAPPING</b>  <b>Mounts into:</b> 1" (25-25.4mm) hole  <b>Fits into:</b> Plywood and MDF boards.  <b>Install tool:</b> CT-19, CT-20  <b>Compatible with Low Profile Male Clips:</b> LP-M8A, LP-SM8AS  <b>Box:</b> 100 <b>Carton:</b> 500</p>
<p><b>LP-DF8</b></p> 			<p><b>SELF TAPPING DRYWALL COARSE THREAD (Wall Panels Only)</b>  <b>Mounts into:</b> 15/16 ~ 1" (25-25.4mm) hole  <b>Fits into:</b> Drywall (sheetrock) and soft core materials 1/2" (12mm) or thicker.  <b>Install tool:</b> CT-19, CT-20 in battery drill with correct clutch setting  <b>Compatible with Low Profile Male Clips:</b> LP-M8A, LP-SM8AS  <b>Box:</b> 100 <b>Carton:</b> 900</p>
<p><b>LP-AF8A</b></p> 			<p><b>AUTO FIT</b>  Lateral adjustment for use with curved panels. Affix with #6 countersunk screws.  <b>Mounts into:</b> 1 3/8" (35mm) pre-drilled hole in substrate  <b>Fits into:</b> Plywood, MDF, fiberglass, etc., 7/16" (10.5mm) or thicker.  <b>Compatible with Low Profile Male Clips:</b> LP-M8A, LP-SM8AS  <b>Box:</b> 25 <b>Carton:</b> 250</p>

Male Clips			
Item No.	Dimensions	Diagram	Description
<p><b>LP-M8A</b></p> 			<p><b>SELF TAPPING (Wall Panels Only)</b>  <b>Mounts into:</b> Plywood &amp; MDF type boards with 3/8" (10mm) hole  <b>Fits into:</b> LP-F8, LP-DF8, LP-AF8A  <b>Install with:</b> CT-10  <b>Pull Out Force:</b> 11 lbs (5kg)  <b>Box:</b> 100 <b>Carton:</b> 2,000</p>
<p><b>LP-SM8AS</b></p> 			<p><b>SURFACE MOUNT (Wall Panels Only)</b>  Can be glued or screwed into place with a self-tapping 3/4" #4 screw.  <b>Mounts onto:</b> Plywood or MDF panels.  <b>Fits into:</b> LP-F8, LP-DF8, LP-AF8A  <b>Pull Out Force:</b> 11 lbs (5kg)  <b>Box:</b> 100 <b>Carton:</b> 500</p>
<p><b>LP-SMX</b></p> 			<p><b>SURFACE MOUNT (Wall and Ceilings Panels)</b>  <b>Mounts into:</b> Steel, aluminum and or fiberglass.  <b>Fits into:</b> LP-F8, LP-AF8A  <b>Install with:</b> 3x#6 Countersink screws  <b>Pull Out Force:</b> 33 lbs (15kg)  <b>Box:</b> 100 <b>Carton:</b> 500</p>

### Accessories



**CP-08ST LOW PROFILE CLIP CENTER POINT – STEEL TIP**  
Stainless steel tip for marking panels made of hard materials. Fits into the LP-F8 and LP-DF8 female clips. Use to mark hole center in panel for correct clip alignment.





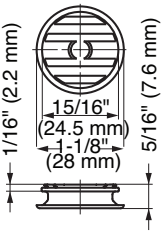
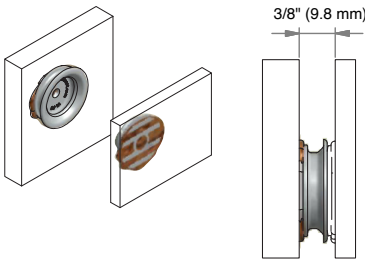
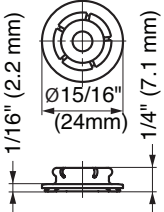
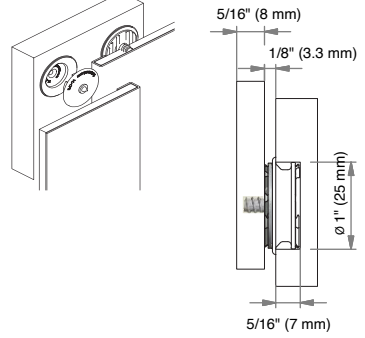
### Installation Tools: Low Profile Series



**LP-08Y YARD KIT LOW PROFILE**  
Contains tools for installing Low Profile Range clips and panel removal tool. Plastic box with CT-05, CT-09, CT-10, CT-19.

## Very Low Profile Range

Perfect for mounting removable thin wall lightweight panels and facings. This clip set requires less depth compared to other Fastmount® ranges. No special installation tools are required; can be used with a two part epoxy appropriate for the material of your substrate and panel and/or screw fixed. Ideal for mounting panels where no drilling is preferred. Typical applications include wall panels, headboards and inspection panels. VL-03FR clips are made of flame retardant plastic, rated at UL94 V-0 for applications requiring fire rated materials.

VL-03/VL03H				
Item No.		Dimensions	Diagram Spacing Options	Description
<b>VL-03</b> (Standard)    <b>VL-03H</b> (Heavy Duty)    <b>VL-03X</b> (Extra Heavy Duty)    <b>VL-03FR</b> (Fire Rated)  	<b>Female Clip</b>	 <p>1/16" (2.2 mm) 15/16" (24.5 mm) 1-1/8" (28 mm) 5/16" (7.6 mm)</p>	<b>Surface Mount</b>   <p>3/8" (9.8 mm)</p>	<b>CLIP SET</b>  For surface or recessed mounting. Can be screw or glue fixed. No special tools needed.  <b>Supplied with:</b> Stainless steel screw (VL-SS3). 1 screw included with VL-03, VL03H and VL-03X 2 screws included with VL03FR.  <b>Pull Out Force:</b> <b>VL-03:</b> 11 lbs (5kg) per clip <b>VL-03H:</b> 22 lbs (10kg) per clip <b>VL-03FR:</b> 22 lbs (10kg) per clip <b>VL-03X:</b> 55 lbs (25kg) per clip  <b>VL-03 and VL-03H</b> <b>Box:</b> 100 <b>Carton:</b> 500  <b>VL-03FR</b> <b>Box:</b> 100 <b>Carton:</b> 1,000  <b>VL-03X</b> <b>Box:</b> 100 <b>Carton:</b> 2,000
	<b>Male Clip</b>	 <p>1/16" (2.2 mm) Ø15/16" (24mm) 1/4" (7.1 mm)</p>	<b>Recess Mount</b>   <p>5/16" (8 mm) 1/8" (3.3 mm) Ø 1" (25 mm) 5/16" (7 mm)</p>	

### Accessories



**VL-CP3 VERY LOW PROFILE CENTER POINT**  
 Use to mark hole center in panel for correct clip alignment. Has stainless steel tip for marking panel or frame.  
 Tip: Push fits into either side of nylon molding.

### Installation: Female & Male Clips



**GLUE**  
 When fixed with adhesive (glue), use in accordance with manufacturer's instructions.

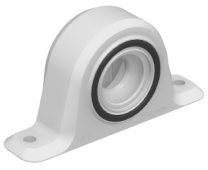
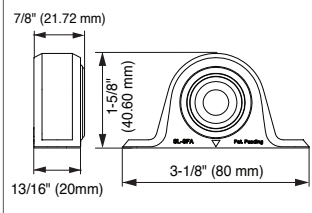
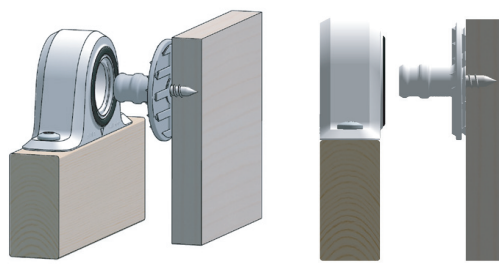
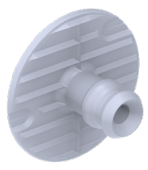
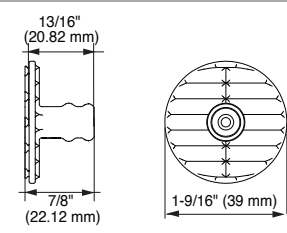


**VL-SS3 STAINLESS STEEL SCREW**  
 Custom type 303 stainless steel screw for fixing VL-M3 into panels down to 1/4" (5.5mm) thick.

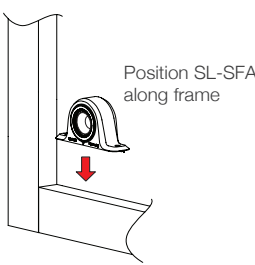
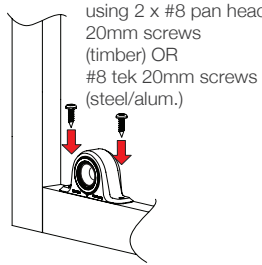
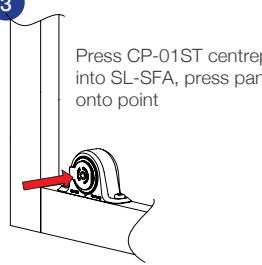

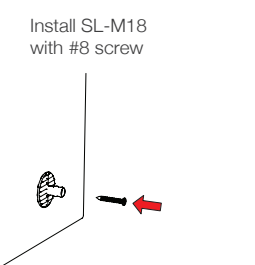
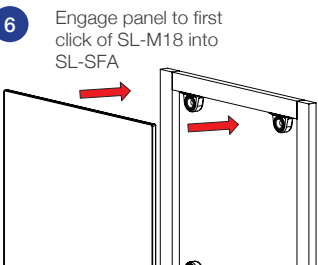
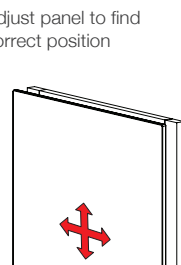
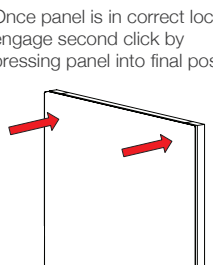


## Stratlock Range

The SL-SFA provides rapid installation of heavy panels to timber, steel or aluminium framework. Designed specifically for contract interior fit-out applications to reduce on-site installation time. Female installs onto side of framework with 2 x #8 panhead screws (20mm) in timber frames, and #8 tek screws (20mm) into steel or aluminium framework. Used with the SL-M18 male clip, the new solid internal load chassis creates 4mm supported movement of the panel in any direction at the first engagement before locking into place with an 39.7 lb (18kg) pull out load. The distance between the panel and substrate when installed is 10.5mm at the first click, and 5mm when pressed into final position. Patent Pending.

SL-SFA/SL-M18			
Item No.	Dimensions	Diagram	Description
<p><b>SL-SFA</b></p> 	 <p>7/8" (21.72 mm) 1-5/8" (40.60 mm) 3-1/8" (80 mm) 13/16" (20mm)</p>		<p><b>CLIP SET</b></p> <ul style="list-style-type: none"> <li>• Strongest available fixing from Fastmount®.</li> <li>• Side movement of the panel 4mm in any direction before locking into final position.</li> <li>• No special tools required for installation.</li> <li>• Acoustic isolation between panel and frame.</li> <li>• 39.7 lb (18kg) pull out load with SL-M18</li> <li>• 5mm clearance between panel and frame.</li> </ul> <p><b>Box:</b> 100      <b>Carton:</b> 400</p>
<p><b>SL-M18</b></p> 	 <p>13/16" (20.82 mm) 7/8" (22.12 mm) 1-9/16" (39 mm)</p>		

### Installation Steps: Screw Fix Method

<p><b>1</b></p>  <p>Position SL-SFA along frame</p>	<p><b>2</b></p>  <p>Screw into position using 2 x #8 pan head 20mm screws (timber) OR #8 tek 20mm screws (steel/alum.)</p>	<p><b>3</b></p>  <p>Press CP-01ST centrepoint into SL-SFA, press panel onto point</p>	<p><b>4</b></p>  <p>Drill out mark created by CP-01ST with 3mm drill bit</p>
<p><b>5</b></p>  <p>Install SL-M18 with #8 screw</p>	<p><b>6</b></p>  <p>Engage panel to first click of SL-M18 into SL-SFA</p>	<p><b>7</b></p>  <p>Adjust panel to find correct position</p>	<p><b>8</b></p>  <p>Once panel is in correct location, engage second click by pressing panel into final position.</p>

### Accessories




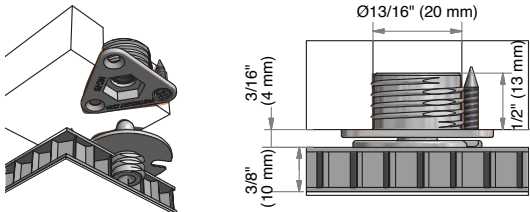

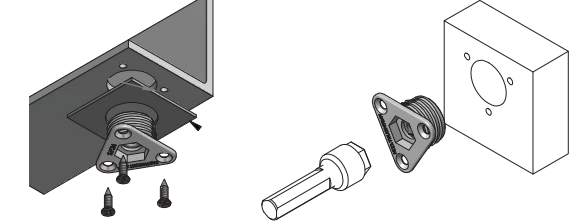
#### CP-01-ST STAINLESS STEEL TIP


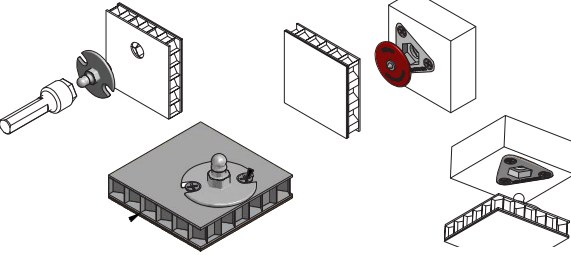
Stainless Steel tip for marking panels made of hard materials. Fits into the PC-F1A, PC-SF1, PC-RF1, PC-AF1, and SL-SFA female clips. Use to mark hole center in panel for correct clip alignment..



## Metal Clip Range

For applications with heavy panels or requiring heat resistance. These patent pending metal based clips are specifically designed to withstand high temperatures and to provide acoustic and vibration isolation. The self-centering design allows for tolerance and panel flexing as well as the ability to be heavy load bearing.

Female Clips		
Item No.	Diagram	Description
<p><b>MC-F5</b></p> 		<p><b>SELF TAPPING MAXI METAL</b></p> <p>Affix with #6 screws.  <b>Install with:</b> MC-IT5  <b>Compatible with Maxi Metal Male Clip:</b> MC-M5  <b>Pull out force:</b> 11 lbs (5kg)</p> <p><b>Box:</b> 10                      <b>Carton:</b> 100</p>
<p><b>MC-F10</b></p> 		<p><b>SELF TAPPING MAXI METAL HEAVY DUTY</b></p> <p>Affix with #6 screws.  <b>Install with:</b> MC-IT5  <b>Compatible with Maxi Metal Male Clip:</b> MC-M5  <b>Pull out force:</b> 22 lbs (10kg)</p> <p><b>Box:</b> 10                      <b>Carton:</b> 100</p>

Male Clips		
Item No.	Diagram	Description
<p><b>MC-M5</b></p> 		<p><b>SELF TAPPING</b></p> <p>Affix with #6 screws.  <b>Mounts into:</b> 3/8" (10mm) hole  <b>Fits into:</b> MC-F5, MC-F10  <b>Install with:</b> MC-IT5  <b>Pull Out Force:</b>                      11 lbs (5kg) using with MC-F5                      22 lbs (10kg) using with MC-F10</p> <p><b>Box:</b> 10                      <b>Carton:</b> 100</p>

### Accessories



**MC-CP5 METAL CLIP CENTER POINT**  
 Center point fits MC-F5 metal clip. Use to mark hole center in panel, for correct clip alignment. Has stainless steel tip for marking panel.



### Installation Tools: Metal Clip Series



**CT-09 PANEL DRILL 10MM FORSTNER TYPE**  
 Use with Standard Profile, Low Profile and Maxi Metal Range. To drill blind holes in the back of panels.




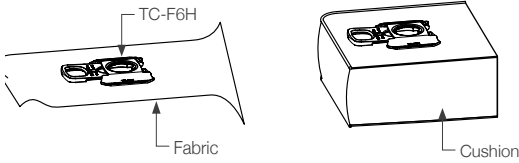
**MC-IT5 INSTALL TOOL FOR MC-F5 & MC-M5**  
 For installation of self tapping male MC-M5 and female MC-F5 or MC-F10 into plywood or similar. Use battery drill with correct torque setting.


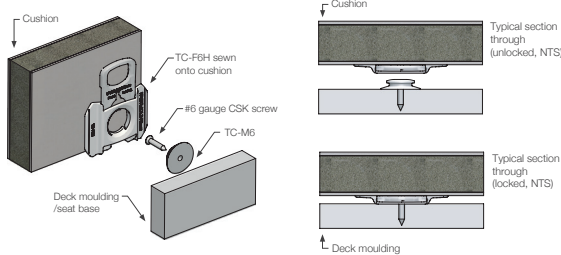

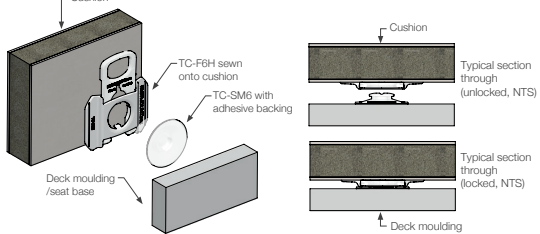


**CT-05 PANEL REMOVAL TOOL**  
 Stainless steel tool for removing covered (upholstered) panels. Do not use with painted panels.

## Textile Clip Range

The Textile Range has been specifically designed for the mounting of soft textiles to hard surfaces. The hidden system locks into place, and can only be removed by unlocking the clip, providing added security under high winds and seas. Makes cushions simple to install, remove and replace. Typical applications include sun loungers, exterior and interior cushions, seat bases and backs.

Female Clips		
Item No.	Diagram	Description
<p><b>TC-F6H</b></p> 		<p><b>QUICK RELEASE TEXTILE FEMALE CLIP HEAVY DUTY</b>                      Affix by sewing TC-F6H onto cushion with needle size 110/18 and V92 or T90 Bonded Outdoor Polyester Thread.  <b>Compatible with Male Textile Clip:</b> TC-M6, TC-SM6</p> <p><b>Box:</b> 100                      <b>Carton:</b> 500</p>

Male Clips		
Item No.	Diagram	Description
<p><b>TC-M6</b></p> 		<p><b>TEXTILE MALE CLIP - SCREW-IN TYPE</b>                      Affix with #6 screw.  <b>Compatible with Female Textile Clip:</b> TC-F6H  <b>Break out load:</b> 22 lbs (10kg)</p> <p><b>Box:</b> 100                      <b>Carton:</b> 500</p>
<p><b>TC-SM6</b></p> 		<p><b>TEXTILE MALE CLIP - SELF ADHESIVE TYPE</b>                      Affix with adhesive backing - clips supplied with VHB tape backing.  <b>Compatible with Female Textile Clip:</b> TC-F6H  <b>Break out load:</b> 22 lbs (10kg)</p> <p><b>Box:</b> 100                      <b>Carton:</b> 500</p>

### Accessories

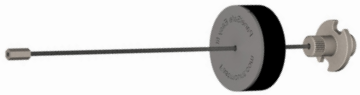
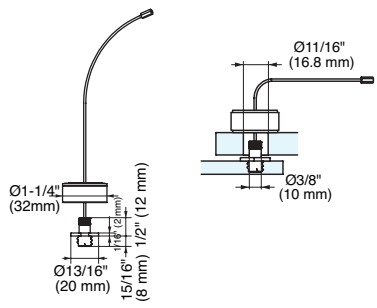
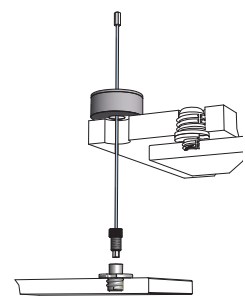
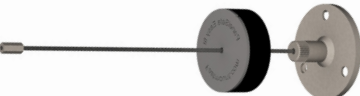
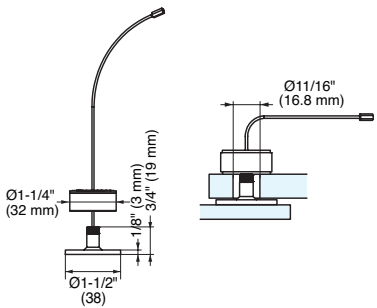
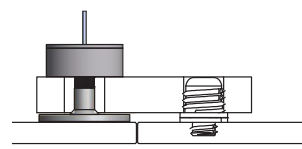


**TC-CP6H**  
 Textile Range centerpoint with stainless steel tip to mark hole center in panel for correct clip alignment. See install guide.



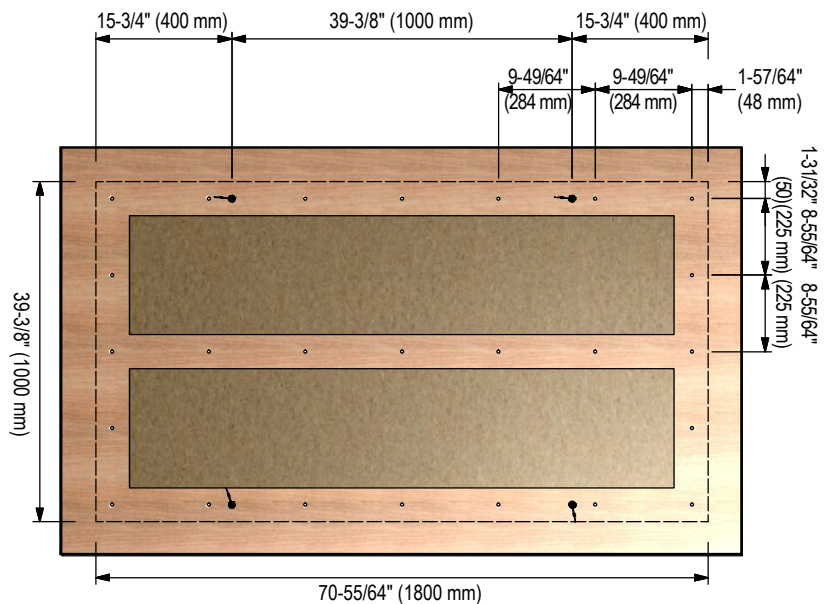
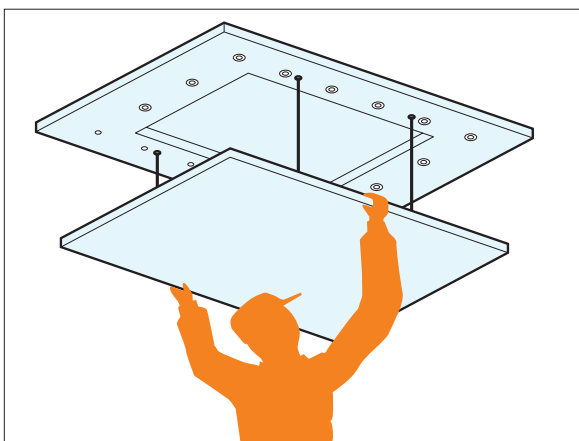
# Panel Control

Use in conjunction with standard or low-profile options like LP-SMX to provide additional security and control. Especially well suited for ceiling panels, exit corridors and heavy panels which must be accessed often.

Item No.	Dimensions	Diagram	Description
<p><b>PS-150E</b></p> 	 <p> <math>\text{Ø}1\text{-}1/4\text{'}</math> (32mm)  <math>\text{Ø}13/16\text{'}</math> (20 mm)  <math>15/16\text{'}</math> (8 mm)  <math>1/2\text{'}</math> (12 mm)  <math>\text{Ø}11/16\text{'}</math> (16.8 mm)  <math>\text{Ø}3/8\text{'}</math> (10 mm)                 </p>		<p><b>SELF TAPPING 150MM</b></p> <p>Install with: CT-10                      Standard drop length:  <math>5\text{ }7/8\text{'}</math> (150mm)</p> <p>Box: 4      Carton: 40</p>
<p><b>PS-S150E</b></p> 	 <p> <math>\text{Ø}1\text{-}1/4\text{'}</math> (32 mm)  <math>\text{Ø}1\text{-}1/2\text{'}</math> (38)  <math>1\text{'}</math> (25 mm)  <math>3/4\text{'}</math> (19 mm)  <math>\text{Ø}11/16\text{'}</math> (16.8 mm)                 </p>		<p><b>SURFACE MOUNT 150MM</b></p> <p>Affix with #6 screw or adhesive.                      Standard drop length:  <math>5\text{ }7/8\text{'}</math> (150mm)</p> <p>Box: 4      Carton: 40</p>



## Sample Layout using Panel Control Hardware



# Technical Notes

### Pull-out force

The pull-out force will vary depending on the clip type and are specified on each product sheet. They are generally minimum 11 lb. (5kg) for typical standard range clips and 22 lb. (10kg) for heavy duty clips.

The shock load is less and can be as low as 4.4 lb (2kg), depending on the type of shock load. Clips never load simultaneously on a panel, so if a panel has 10 clips it does not mean the force required to remove the panel (or the force the panel will take) is 10x 11 lb. (5kg).

### Clip spacing and panel loads

Panels need to be supported evenly around the perimeter to eliminate sagging. The clip spacing requirements will vary depending on the application. Although many of the Fastmount® clip sets will hold more than your theoretical panel load, the reality of unknown conditions means panels and clips could be subjected to shock loads (g-forces) from seismic shocks.

### Fastmount® with different materials

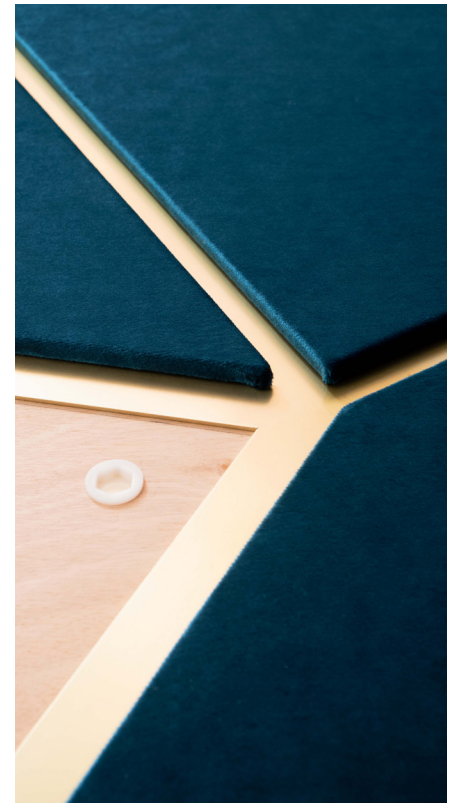
You can mount Fastmount® clips into or onto most panel products such as plywood, MDF, plastic, fiberglass, HPL, sandwich panels and composite panels. It is not recommended to use very heavy materials. The LP-DF8 coarse thread female clip is designed to work with drywall, for wall panels only. Installation with the standard profile series should use 2-4 PC-VM1 or PC-VMX clips to relief shear tension and support panel weight.

### Drill setting and self tapping clips

The clutch setting on battery drills when fitting clips varies from drill to drill. It will depend on the battery charge condition and on the material you are screwing into. Once 2 or 3 test clips have been fitted, you will have a good feel for a setting that screws the clips home, but does not over tighten them. If the clips are breaking, the drill setting is too powerful. Some hard materials require a chamfer at the hole edge.

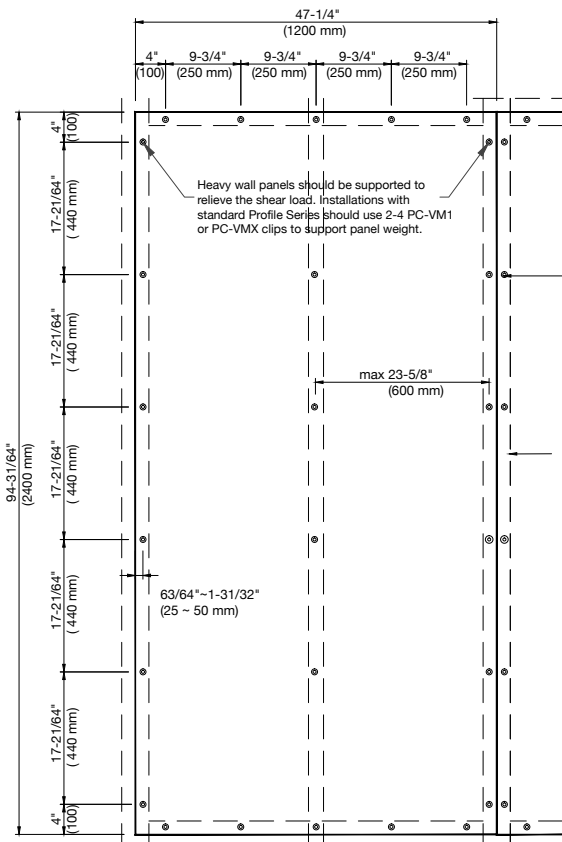
### Adhesives for surface mount clips

The patent pending super-groove design means the Fastmount® surface mount clips use a mechanical engagement to secure the clip, so adhesive selection is mostly dependent on the panel material. We recommend two-part epoxies that are suitable for panel materials. A typical two-part epoxy will hold the clip at over three times the clipping load 66-88 lb (30-40kg) per clip.



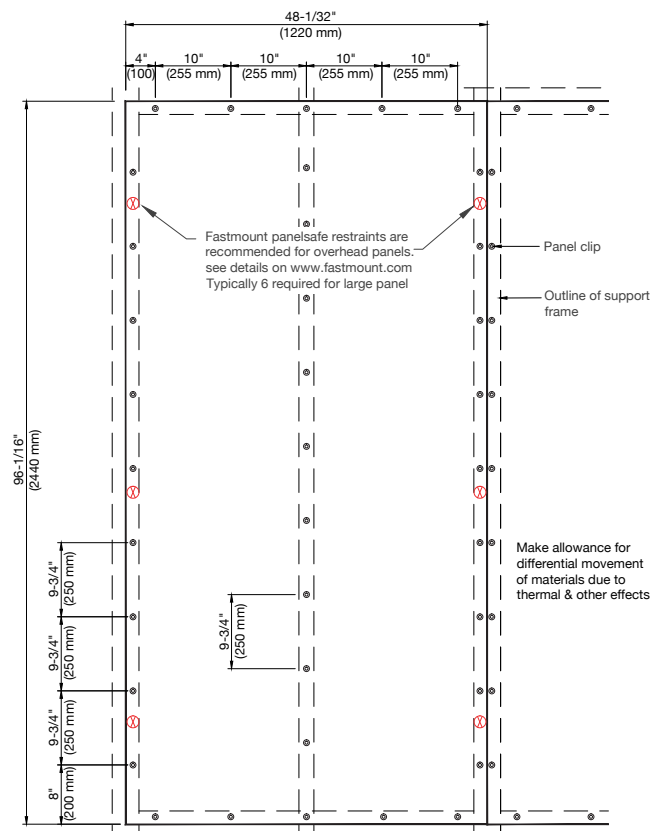
### Layout for Wall Panels (Standard or Low Profile)

Maximum recommended panel weight:  
88 lbs (40kg).  
Maximum recommended panel size:  
94-1/2" x 47-1/4" (2.4mx1.2m)



### Layout for Large or Heavy Ceiling Panels (Standard Profile or Metal)

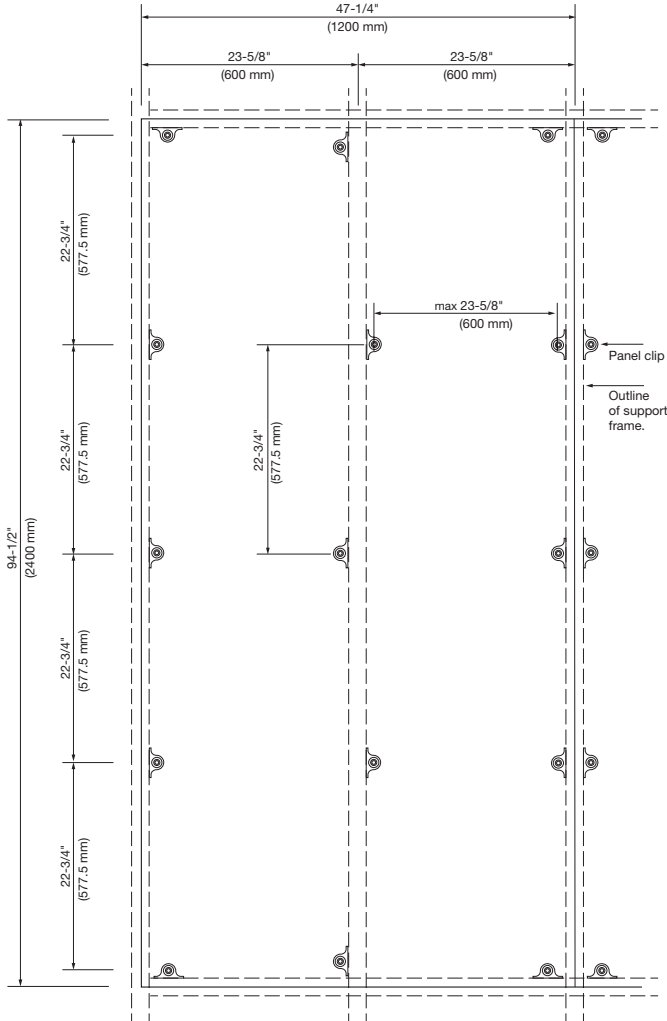
Maximum recommended panel weight:  
66 lbs (30kg).  
Maximum recommended panel size:  
94-1/2" x 47-1/4" (2.4mx1.2m)



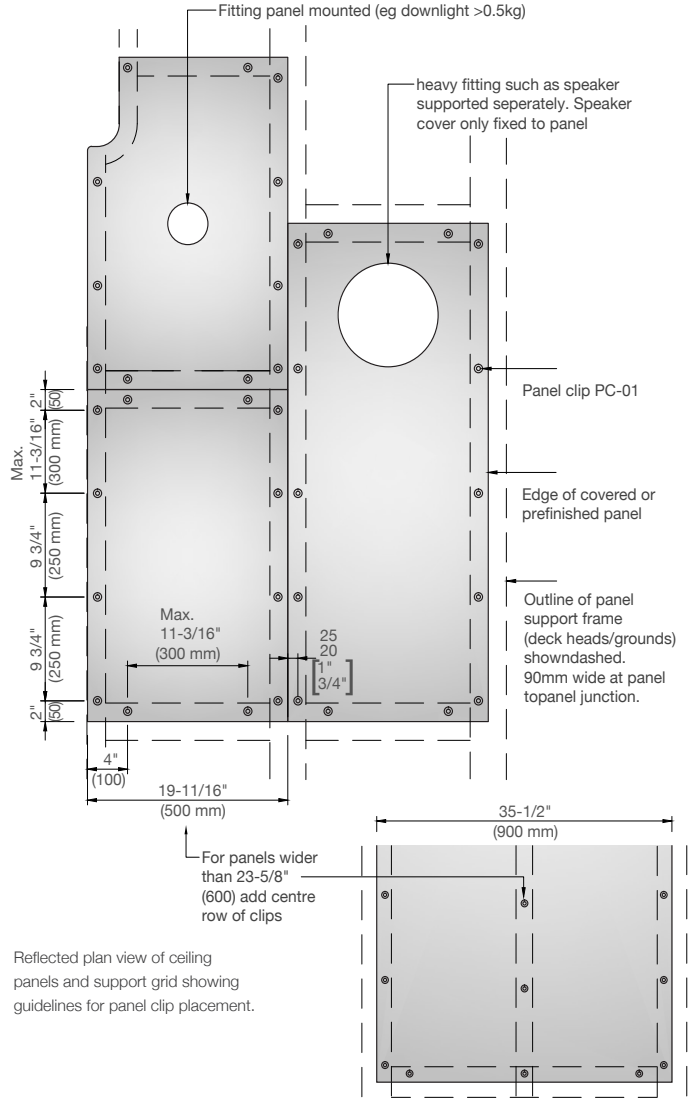
# Technical Notes Continued

## Layout for Large Wall Panels for SL-SFA (Stratlock® Range)

Maximum recommended panel weight: 110.2 lbs (50kg) per m2.  
Maximum recommended panel size: 94-1/2" x 47-1/4" (2.4mx1.2m)



## Layout for Small or Lightweight Ceiling Panels (Less than 1.1 lbs [-5 kg])



## Notes

---

---

---

---

---

---

---

---

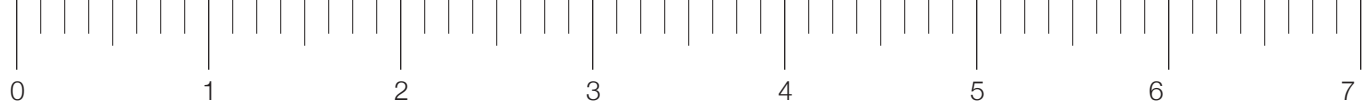
---

---

# Installation Tools

For installation quality and performance, the following tools are available for use.

<p><b>CT-01</b></p> 	<p><b>3/8" (10MM) DRILL CARBIDE TIPPED</b> For use with the Standard Profile and Low Profile ranges. For drilling through panel and creating pilot hole for CT-07.</p>	<p><b>CT-12</b></p> 	<p><b>1-1/4" (31MM) HSS COUNTERSINK DRILL BIT WITH 3/8" (10MM) SHANK</b> High speed steel (HSS) bit with 3/8" (10mm) shank used to countersink the edge of holes in hard materials. Designed for use with MDF, plywood, fiberglass, and plastics when preparing the material for self-tapping clips.</p>
<p><b>CT-03</b></p> 	<p><b>INSTALL TOOL FOR PC-F1A</b> For use with Standard Profile clip PC-F1A. Use to install self tapping female PC-F1A with battery drill on correct torque setting.</p>	<p><b>CT-13A</b></p> 	<p><b>11/16" (16.8MM) ONE STEP DRILL CARBIDE TIPPED</b> For use with Standard Profile clip PC-F1A. Carbide tip drill with 16.8 diameter for drilling holes into fiberglass, carbon fiber and kevlar laminates.</p>
<p><b>CT-05</b></p> 	<p><b>PANEL REMOVAL TOOL</b> Stainless steel tool for removing upholstered panels. Not for use with painted panels.</p>	<p><b>CT-15</b></p> 	<p><b>THREAD TAP FOR PC-F1A</b> For use with Standard Profile clip PC-F1A. Tap tool for tapping thread to fit PC-F1A into fibreglass, aluminium or similar. Either drill hole with CT-13A or drill out 10mm hole with CT-07 then tap with CT-15.</p>
<p><b>CT-05H</b></p> 	<p><b>PANEL REMOVAL TOOL WITH HOOK</b> Dual purpose reinforced stainless steel tool with fold down hook for use with lacquered and/or textured panels.</p>	<p><b>CT-18DG</b></p> 	<p><b>DRILL GUIDE INSTALLATION JIG FOR PC-RF1</b> Adjustable drill guide for use with the Standard Profile Clip, PC-RF1.</p>
<p><b>CT-07</b></p> 	<p><b>STEP DRILL CARBIDE TIPPED</b> For use with Standard Profile clip PC-F1A. Tungsten tip drill with 16.8mm diameter for drilling 10mm hole in frame.</p>	<p><b>CT-19</b></p> 	<p><b>INSTALL TOOL LOW PROFILE RANGE (ALUMINIUM)</b> For use with Low Profile range. Aluminium install tool for female clips LP-F8 and LP-DF8 with battery drill on correct torque setting. Ideal for large quantity installations.</p>
<p><b>CT-09</b></p> 	<p><b>3/8" (10MM) FORSTNER TYPE DRILL CARBIDE TIPPED</b> For use with Standard Profile, Low Profile and Metal ranges. For drilling blind holes into the back of panels.</p>	<p><b>CT-20</b></p> 	<p><b>INSTALL TOOL LOW PROFILE RANGE (PLASTIC)</b> For use with Low Profile range. Aluminium install tool for female clips LP-F8 and LP-DF8 with battery drill on correct torque setting. Ideal for large quantity installations.</p>
<p><b>CT-09DG</b></p> 	<p><b>DRILL GAUGE FOR CT-09 DRILL BIT</b> For use with CT-09 Forstner drill bit. Designed for depth control when blind drilling for Standard and Low Profile range male clips. Incorporates a sealed roller bearing for smooth operation, and is easily adjustable with an Allen wrench.</p>	<p><b>CT-22</b></p> 	<p><b>TAP FOR MALE CLIPS IN STANDARD AND LOW PROFILE RANGES</b> New product for tapping thread into hard materials for male clips, PC-M1B, PC-M2H, PC-VM1, PC-VMX, LP-M8A, MC-M5, PS-150, PS-150E (self tapping male end).</p>
<p><b>CT-10</b></p> 	<p><b>INSTALL TOOL SELF TAPPING MALE CLIPS (ALUMINIUM)</b> For use with Standard Profile, Low Profile and Panel Control range. Use to install self tapping male PC-M1B, PC-M2H, PC-VM1, PC-VMX, PS-150 and LP-M8 with battery drill on correct torque setting.</p>	<p><b>LP-08Y</b></p> 	<p><b>YARD KIT LOW PROFILE</b> Contains tools for installing Low Profile Range clips and panel removal tool. Plastic box with CT-05, CT-09, CT-10, CT-19.</p>



Inches

## Measurement Conversions

### LENGTH

cm	mm	inch	feet
1	10	0.394	0.0328
0.1	1	0.0394	0.00328
2.54	25.4	1	0.083
30.48	304.8	12	1

inch = mm ÷ 25.4  
mm = inch x 25.4

### WEIGHT

g	kg	oz	lb
1	0.001	0.0353	0.0022
1000	1	35.27	2.205
28.4	0.0284	1	0.0625
453.6	0.454	16	1

lb = kg x 2.205  
kg = lb ÷ 2.205



### FORCE

N	kgf	lbf
1	0.10197	0.225
9.807	1	2.205
4.448	0.454	1

= kgf x 2.205      N = kgf x 9.807  
kgf = lbf ÷ 2.205      kgf = N ÷ 9.807

### MOMENT

N • m	kgf • cm	lbs • in
1	10.197	8.85
0.0981	1	0.868
0.113	1.152	1

lbs • in = kgf • cm x 0.868  
kgf • cm = lbs • in ÷ 0.868  
N • m = kgf • cm x 0.0981  
kgf • cm = N • m ÷ 0.0981

### TEMPERATURE

°C	°F
0	32
-17.77	0

°C = (°F - 32) x 5 ÷ 9  
°F = °C ÷ 5 x 9 + 32

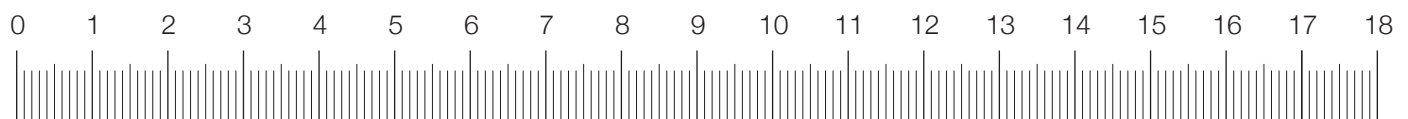
**\*All tools and figures are for reference only.**

### DISCLAIMER:

Specifications, features, illustrations, certifications and materials shown in this catalog are based upon the latest available information at the time of publication. Although descriptions are believed to be correct, accuracy cannot be guaranteed. Sugatsune reserves the right to make changes at any time, without notice or obligation, in finishes, materials, sizes, specifications and availability and disclaims any and all liability for typographical, printing or production errors or changes affecting the products and/or specifications contained herein.

Actual performance of products may vary based upon many factors and may be less than stated. Differences in construction and build materials, designs or configurations may affect product performance and therefore, the customer is solely responsible for making the final selection of the product(s) to be used and to assure that all performance, safety and warning requirements of the application are satisfied.

Centimeters



sugatsune.com



Sugatsune America  
18101 Savarona Way,  
Carson, CA 90746  
Toll Free: 800-562-5267  
sales@sugatsune.com



Sugatsune Canada, Inc.  
3775 Boulevard du Tricentenaire,  
Montréal, Québec H1B-5W3  
Toll Free: 833-312-5267  
support@sugatsune.ca  
www.sugatsune.ca