



SUGATSUNE

40  
YEARS

in AMERICA

International Woodworkers Fair 2022

SUGATSUNE

# More Ways to Connect

Social Media and Beyond      

Now more than ever, it is important to stay connected to see and share the latest in products and projects. Connect with us on your favorite social media platform, sign-up for our newsletters, visit our website regularly and subscribe to our YouTube channel for the latest Sugatsune news.



Scan the QR to sign-up to our email list.



“ My friends at Sugatsune America Inc. opened their doors in the United States in 1982—and now, their 40-year anniversary of selling hardware and doing business in America is upon us... The use of hidden doors is a favorite touch for me, and I've always used Sugatsune's solutions to bring them to life... They've achieved great success in the United States, so far. To my friends at Sugatsune, let's have another 40 great years together! ”

—Matt Risinger  
The Build Show Network



in AMERICA

It is often said that 40 is the new 30, but here at Sugatsune America, 40 years of quality service in the United States feels just right! By now, you know that we take convenience and satisfaction seriously and we look forward to continuing to serve this industry for many years to come.

As the first overseas subsidiary of Sugatsune Kogyo, Ltd, based in Japan for more than 90 years, we have continued to expand our line-up of architectural, industrial and specialty hardware here in America.

Our product lines include Sugatsune's proprietary soft motion Lapcon hardware, which you'll see throughout this brochure, complemented by our hinges, handles, catches, latches and other unique accessories.

As we look back at two very challenging years, not only for our industry but for our communities everywhere, we are grateful to our customers not only for their loyalty, but also for challenging us to develop new functional and decorative hardware to meet their application needs. Our commitment to innovation is matched by our commitment to providing unique, high quality products and customer service.

IWFEXCLUSIVE Decorative Black Hardware



Premium Wood Hook  
PXB-WM05-111



Forged Brass Double Hook  
PXB-BN05-211



Sliding Door Handle  
DSI-3250



Sliding Door Handle  
DSI-4251



Floor Mount Door Stopper  
DSD-02

A NEW STEP FOR HINGE TECHNOLOGY

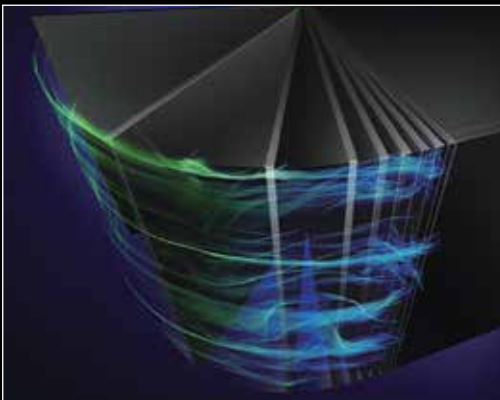
# OLYMPIA

360 POWERED BY  Lapcon.

Concealed Hinge with  
Adjustable Soft-Close



 Lapcon.



5-speed adjustable soft-close.  
The first Sugatsune concealed hinge  
ever built with Lapcon technology.

This is the first time Sugatsune's unique Lapcon technology has ever been used inside a concealed hinge. The innovative rotary damper is not only extremely compact with a sleek overall design, but its force can also be adjusted to perfection in 5 steps, regardless of the door size or weight.

sugatsune.com

 SUGATSUNE

1.800.562.5267

## CONCEALED HINGE with Adjustable Soft-Close

360-26/C26/D26-19T/19T85



### (19 mm overlay)



### (14 mm overlay)



### (9 mm overlay)



- Available for 19mm, 14mm and 9mm overlays.
- Featuring 5-speed adjustable damper.
- Load capacity:
  - 6 kg (13.2 lbs)/2 pcs, 10 kg (22 lbs)/3 pcs.
- Maximum door width:
  - 600 mm (23-5/8"), thickness: 20 mm (13/16").
- Clip-on type for easy installation, 3-way placement adjustment.
- Mounting plate sold separately.
- Successfully passed 200,000 cycles test.

## CONCEALED HINGE with Adjustable Soft-Close

360-26/C26/D26/U26-OT



### (Inset)



- Inset type hinge.
- Featuring 5-speed adjustable damper.
- Load capacity:
  - 6 kg (13.2 lbs)/2 pcs, 10 kg (22 lbs)/3 pcs.
- Maximum door width:
  - 600 mm (23-5/8"), thickness: 20 mm (13/16").
- Clip on type for easy installation, 3-way placement adjustment.
- Mounting plate sold separately.
- Successfully passed 200,000 cycles test.

## MOUNTING PLATES



### 360-P4W-32T

- Available in Standard and +5 mm types
- 2-holes plate



### 360-P4W-32T-DS

- Plate featuring pre-mounted screws
- 2-holes plate



### 360-P3W-53T

- Slim design gives a sleek look



### 360-P6WT

- Available in Standard and +5 mm types
- 4-holes plate

# The J160 Overlay Hinge



Nickel (NI)

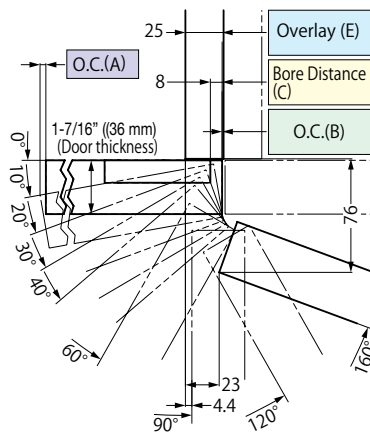
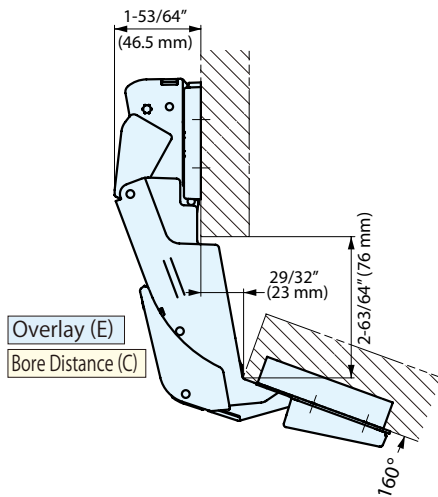


Black Nickel (BN)

Heavy Duty Hinges



FOR MORE DETAILS  
General Catalog Pg. 307.1



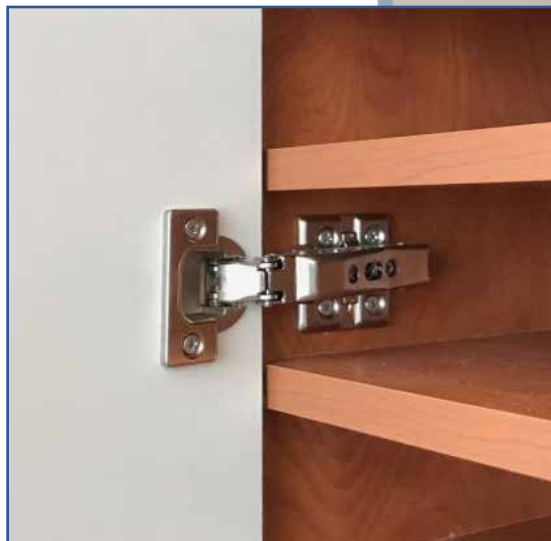
- 3-way adjustability after installation.
- Load capacity:  
55 lbs (25 kg)/2 pcs,  
88 lbs (40 kg)/3 pcs.
- Maximum door width:  
31-1/2" (800 mm)/2 pcs,  
35-7/16" (900 mm)/3 pcs.
- Wide-opening hinge allowing 160° opening.
- Successfully passed 50,000 open/close private cycle test.
- Recommended door thickness: 11/16~1-7/16" (18~36 mm).
- Includes mounting plates and screw covers.
- Built in damper allows soft-close.

Item No.	Weight (g)	Box (pcs)	Carton (pcs)	Material	Finish
J160-D22-25T-NI	710	1	12	Steel, Zinc Alloy (ZDC), Glass Filled Polyamide (PA)	Nickel (NI)
J160-D22-25T-BN					Black Nickel (BN)

**The Seriously HEAVY DUTY Hinge!**

Imagine using 2 or 3 hinges where 5 or 6 are usually needed. The J95 Heavy Duty Concealed Hinge can do just that, with 55 lbs load capacity for one pair or 88 lbs for three hinges.

Available in free-swinging and Self-closing, Nickel and Black finishes.



Nickel (NI)



Black Nickel (BN)



Nickel (NI)



Black Nickel (BN)

**J95-24/25T**

25 mm overlay  
Opening angles: 95°

**J95-24/25T**

16 mm overlay  
Opening angles: 95°



Nickel (NI)



Black Nickel (BN)



**J95ZC, J95SC**

Plate and Hinge Covers  
in Gray, Black and Chrome

**J95-24/25T**

Inset  
Opening angles: 95°



# IWF EXCLUSIVE Door Straighteners

## Preserve Quality

Just because a cabinet leaves the shop doesn't mean that the quality shouldn't stay with it and **Sugatsune's Door Straighteners Series** can do just that. Preserve the quality of your work against warping due to moisture or extreme temperatures.

Our line of Door Straighteners can be concealed, placed at time of manufacturing or retrofitted to correct warping. See our complete line at **sugatsune.com**.



GET MORE INFO

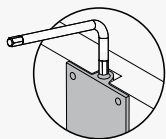


sugatsune.com

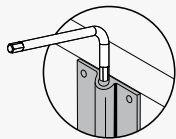


# DSR Door Straighteners Series

## RECESSED/SURFACE



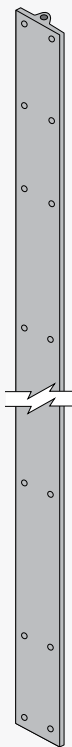
PARTIALLY RECESSED



SURFACE

- Can be installed post-production to fix warping.
- Must run complete height of the door.
- Can be partially recessed or surface mounted to the back of the door.
- $\pm 10$  mm adjustment can be made from the top of the door with a M4 Allen Key (included).
- Minimum door thickness:  
16 mm (9/16").
- Requires M4 flathead wood countersunk screws for partially recessed installation or wood panhead screws for surface installation.
- Can be cut from the bottom up to 400 mm.

Item No.	Length Min-Max	Materials	Finish
DSR701-1830/B-10	56-5/16" ~ 72-1/16"	Rod: Steel Casing:	Black
DSR701-1830/S-10			Silver
DSR701-2200/B-10	70-7/8" ~ 86-5/8"	Aluminum	Black
DSR701-2200/S-10			Silver



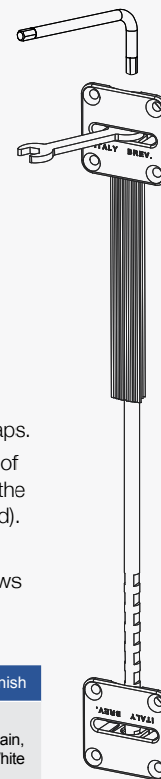
## RECESSED



Plastic cover caps included

- Installed at time of production to prevent door from warping.
- Adjustors installed 60 mm from the top and bottom of the door.
- Partially recessed door straightener with cover caps.
- $\pm 10$  mm adjustment can be made from the top of the door with a M4 Allen Key (included) or from the back of the door with a M8 slot wrench (included).
- Min. door thickness: 16 mm (5/8")
- Requires 8 M4 flathead countersunk wood screws for installation.

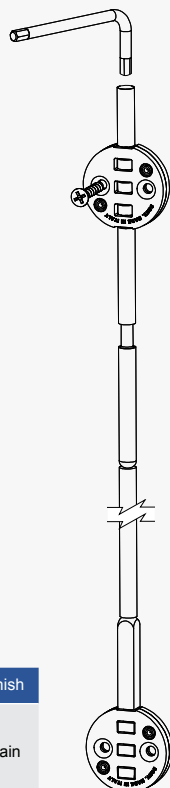
Item No.	Center Distance	Door Length	Finish
DSR213-1524-25	43-7/16" ~ 60"	48-3/16" ~ 64-3/4"	Plain, White
DSR213-1930-25	59-7/16" ~ 76"	64-3/16" ~ 80-11/16"	
DSR213-2330-25	75-3/16" ~ 91-3/4"	79-15/16" ~ 96-7/16"	
DSR213-2700-25	89-3/4" ~ 106-5/16"	94-1/2" ~ 111"	



## CONCEALED

- Installed at time of production to prevent door from warping.
- Adjustors installed 60 mm from the top and bottom of the door.
- Fully concealed/hidden door straightener. Recessed mounted under laminate.
- $\pm 10$  mm adjustment can be made from the top of the door with a M4 Allen Key (included).
- Min. door thickness: 12 mm (1/2").
- Optional mounting holes to secure door straightener to door using 4 M4 (U.S. #8) flathead countersunk wood screws.

Item No.	Center Distance	Door Length	Finish
DSR423-1524-25	43-7/16" ~ 60"	48-3/16" ~ 64-3/4"	Plain
DSR423-1930-25	59-7/16" ~ 76"	64-3/16" ~ 80-11/16"	
DSR423-2300-25	74" ~ 90-9/16"	78-3/4" ~ 95-1/4"	
DSR423-2700-25	89-3/4" ~ 106-5/16"	94-1/2" ~ 111"	

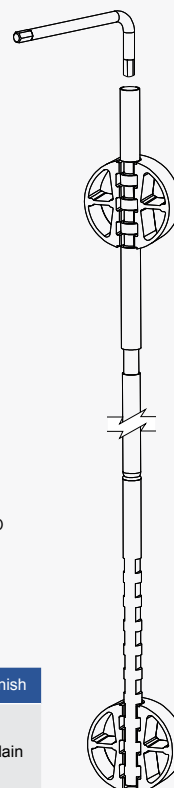


Both concealed models can be installed under laminate.



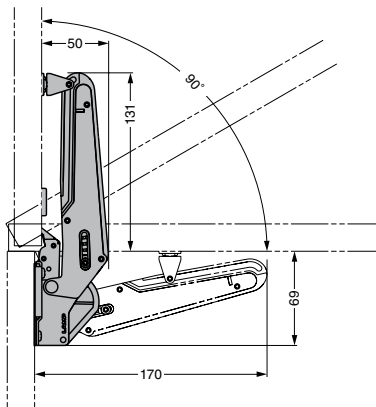
- Installed at time of production to prevent door from warping.
- Adjustors installed 60 mm from the top and bottom of the door.
- Fully Concealed/Hidden Door Straightener. Recess mounted under laminate.
- $\pm 10$  mm adjustment can be made from the top of the door with a M4 Allen Key (included).
- Min. door thickness 18 mm (11/16").
- No screw installation, pressure-fit into place.

Item No.	Center Distance	Door Length	Finish
DSR403-1524-25	43-7/16" ~ 60"	48-3/16" ~ 64-3/4"	Plain
DSR403-1930-25	59-7/16" ~ 76"	64-3/16" ~ 80-11/16"	
DSR403-2300-25	74" ~ 90-9/16"	78-3/4" ~ 95-1/4"	
DSR403-2700-25	89-3/4" ~ 106-5/16"	94-1/2" ~ 111"	

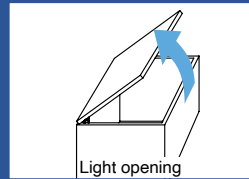




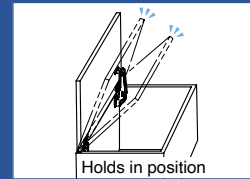
- Smooth door movement. It is specially designed for use with the OLYMPIA concealed hinge.
- The lift-assist function allows for light opening of doors.
- Board thickness:  
Min:9/16" (15mm) ~ Max:7/8" (22mm).
- The free-stop function enables doors to hold in position (>30°).
- Soft-close function makes doors close gently (<30°).
- Closing speed of doors is adjustable.



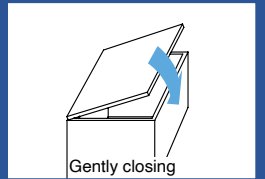
## LIFT-ASSIST



## FREE-STOP



## SOFT-CLOSE



## THE OLYMPIA HINGE

With 5-level damper function, part of the Aileron soft-opening system.



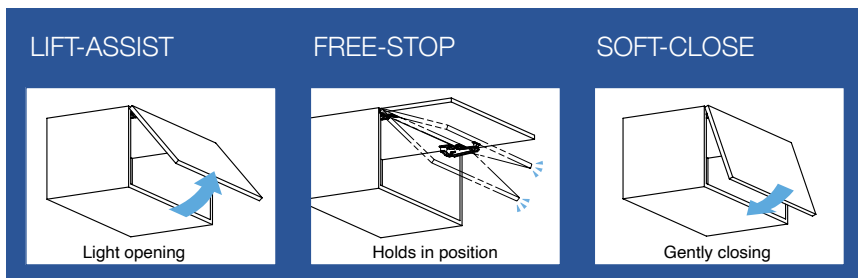
5-speed adjustable soft-close.

The first Sugatsune concealed hinge ever built with Lapcon technology.

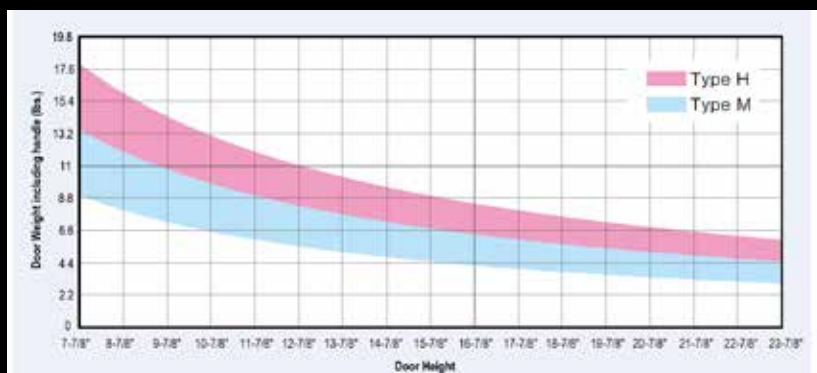
Item No.	Torque (kg·cm)	Board Thickness (mm)	Weight (g)	Box (pcs)	Carton (pcs)	Material	Finish/Color
ARN-2-M-S	40.8~61.2 (35.4~53.1 lbs·in)	Min:15 mm (9/16") Max: 22 mm (7/8")	703	1	10	Steel, Zinc Alloy	Nickel
ARN-2-H-S	61.2~81.6 (53.1~70.8 lbs·in)					Plastic	Grey

# LIFT-ASSIST LID STAY with soft-close (upward opening)

ARN-3



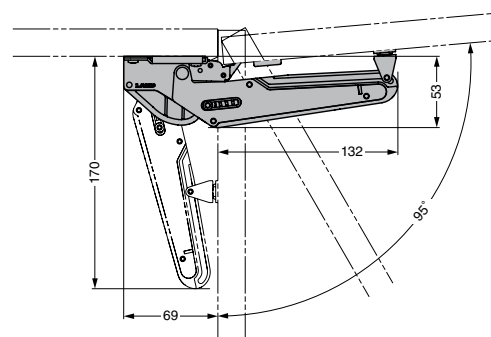
- Smooth door movement. It is specially designed for use with the OLYMPIA concealed hinge.
- The lift-assist function allows for light opening of doors.
- Board thickness:  
Min:9/16" (15 mm) ~ Max:7/8" (22 mm).
- The free-stop function enables doors to hold in position (>30°).
- Soft-close function makes doors close gently (<30°).
- Closing speed of doors is adjustable.



Refer to the graph above as a guide for model selection. For use with doors outside of the scope of this graph, use the calculation below. Door weight must include all attached accessories.

**Torque (lbs · inch) = Door height (inches) × 0.5 × weight (lbs).**

Torque Range (lbs-in)	Type	Number of AILERON
35.4~53.1	M	1 pc
53.1~70.8	H	



Item No.	Torque (kg·cm)	Board Thickness (mm)	Weight (g)	Box (pcs)	Carton (pcs)	Material	Finish/Color
ARN-3-M-S	40.8~61.2 (35.4~53.1 lbs-in)	Min:15 mm (9/16") Max: 22 mm (7/8")	703	1	10	Steel, Zinc Alloy	Nickel
ARN-3-H-S	61.2~81.6 (53.1~70.8 lbs-in)					Plastic	Grey



# STAINLESS STEEL FOLDING BRACKET with damper EB-303/EP-D

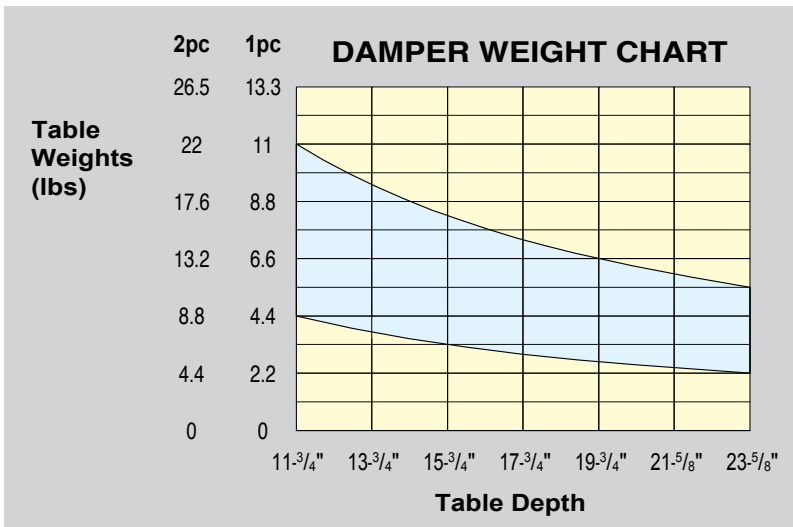
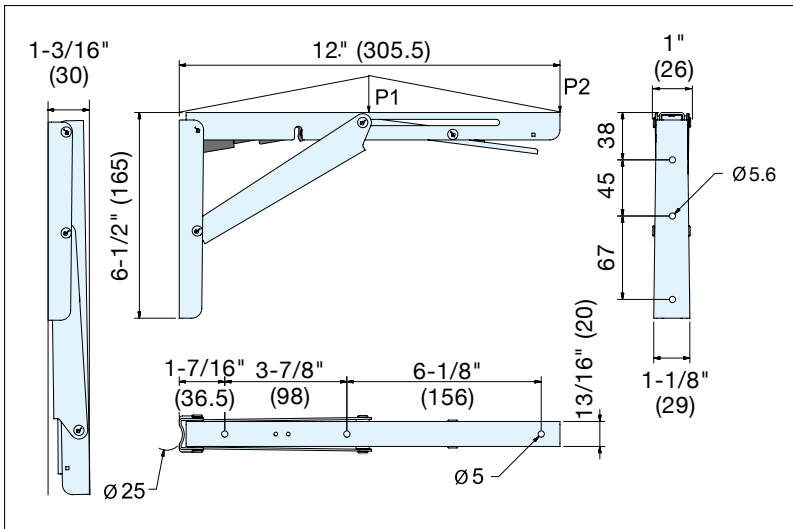
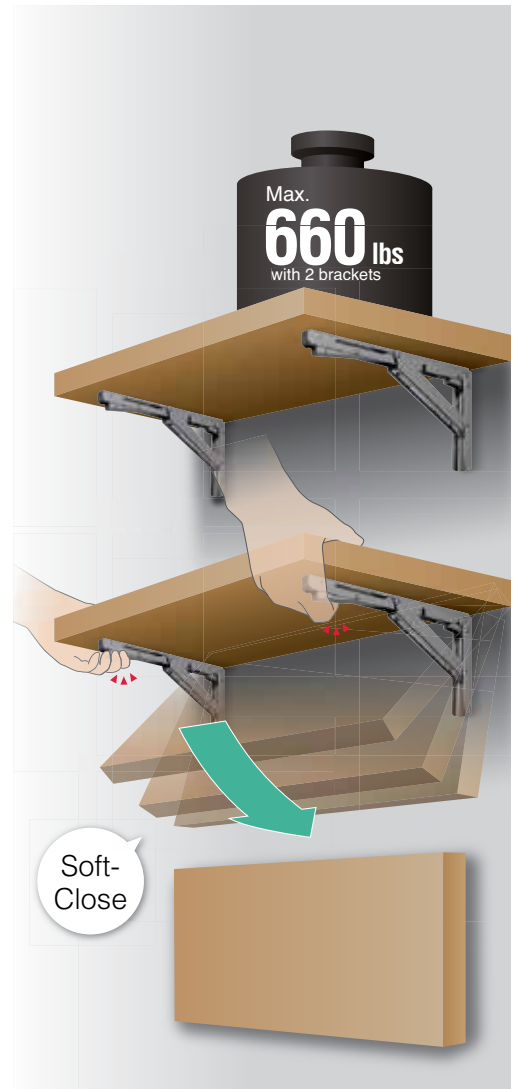


EB-303/EP-D

EB-303/EP-D-BL

- Automatically locks when flap is in open position.
- Press lever to release the lock.
- Hinges not required.
- Damper unit with a soft-closing feature which makes it smoother and safer.
- Durability tested 50,000 cycles (private).
- Refer to the DAMPER WEIGHT CHART for damper weight capacity.

### Application Example



Item No.	Bracket Load Capacity P1	Bracket Load Capacity P2	Weight (g)	Carton (pcs)	Material
EB-303/EP-D	330 lbs/each	165 lbs/each	515	20	304 Stainless Steel
EB-303/EP-D-BL					

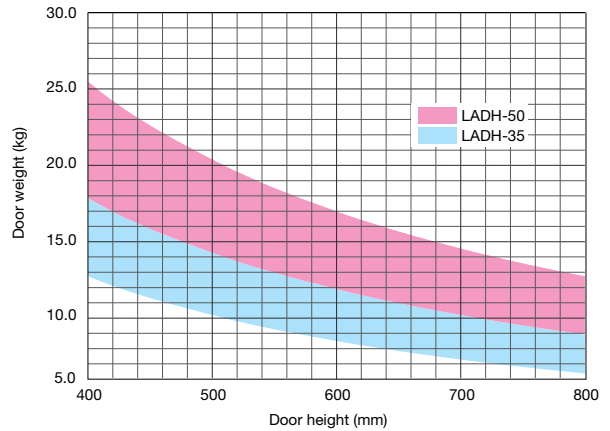
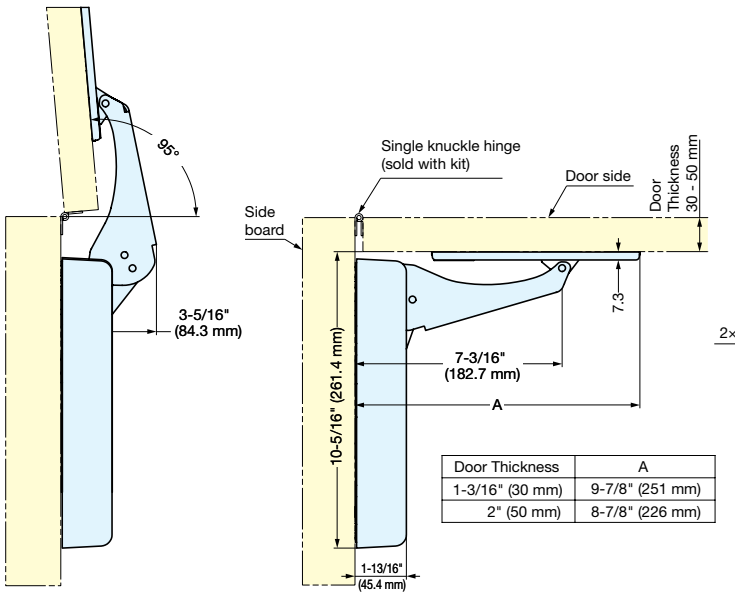
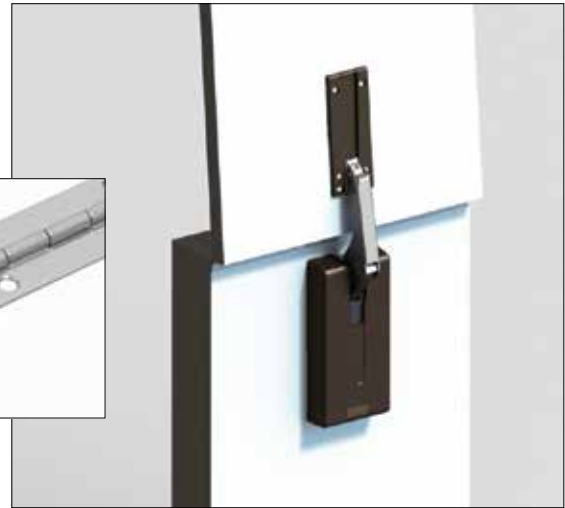
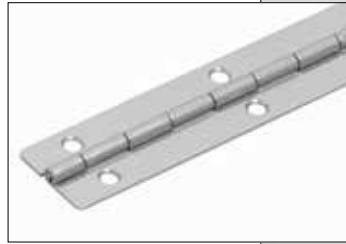
# LIFT-ASSIST DAMPER (Heavy Duty)

LADH



- Add a smooth soft-close to counter tops in restaurants, bars and reception desks to prevent slamming.
- Lift-Assist feature helps users lift countertop
- Holds door open at 95 degrees.
- Easy installation - surface mounted and can be retrofitted.
- Stainless steel piano hinge included.

- Set includes Stainless Steel Piano hinge (LSN-C).
- Hinge can be cut down to desired length.



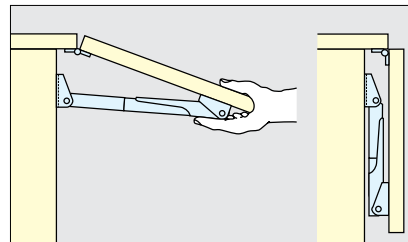
Item No.	Max. Torque/pc (lbs·in)	Panel Thickness	Wt (Kg)	Box (pcs)	Material	Finish
LADH-35	221 ~ 309	30~50 mm (1-3/16" ~ 2")	2	1	Steel (SPCC)/ Polyacetal (POM)/ABS	Arm: Nickel Chrome Body: Dark Brown
LADH-50	309 ~ 442					Arm: Nickel Chrome Body: White
LADH-35WT	221 ~ 309					
LADH-50WT	309 ~ 442					

LADH Lift-Assist Damper can be used in pairs

# FOLDING BRACKET 388 SERIES



- Automatically locks when flap is in opened position.
- Press lever to release the lock.
- For panel thickness 15~35 mm (19/32"~1-3/8").
- Required Quantity:
  - Width up to 600 mm (23-5/8")/1 pc
  - Width 600~1300 mm (23-5/8"~51-3/16")/2 pcs



Material	Finish/Color
Aluminum	Anodized
	Black (BLK)

Item No.	A	B	C	D	E	Load Capacity
38820-25	25~30	161	15	114.0	180.0	77 lbs
38820-25/BLK						
38830-25	25~39	252	45	168.0	275.9	121 lbs
38830-25/BLK						
38845-25	25~50	402	87	258.5	430.8	132 lbs
38845-25/BLK						
38860-25	25~40	549	137	368.5	585.8	176 lbs
38860-25/BLK						

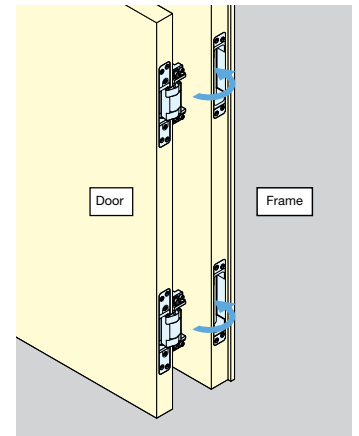


# Concealed Hinges

## HES3D Series

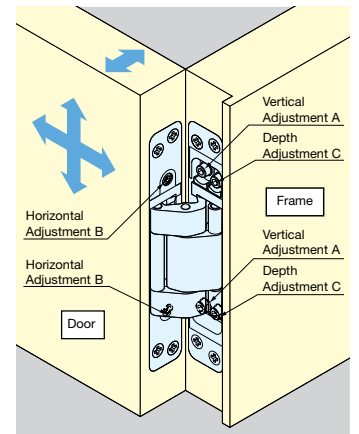
### EASY INSTALLATION

Here's why, Sugatsune's HES3D series hinges incorporate a feature that allow the hinge leaves to separate. One leaf is installed in the door frame, while the other is installed into the door itself. You can then install and adjust the door at any time.



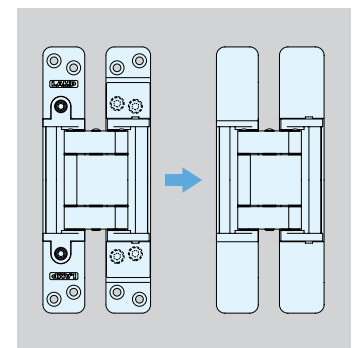
### 3-WAY ADJUSTABLE FEATURE

HES3D series hinges have vertical, horizontal, and depth adjustment features, so if your door isn't perfectly aligned on the first try, this feature allows adjustments in each direction.



### OVERALL LOOK

HES3D series hinges feature squared shape and round corners, comes with cover caps to hide all screws on the face of the hinge, so when your hinge is installed, it has a clean, sleek appearance.



### UL® LISTED

HES3D-E190 and HES3D-W190 are UL® Listed with **3 HOUR FIRE RATING.**





### Cladded Doors HES3D-W190\*

Min. Door Thickness: 1-5/8" (42 mm)  
 Max. Door Dimensions: 96-1/16" x 36" (2440 x 915 mm)  
 Max. Door Weight: 220 lbs (99 kg)/2 pcs or 275 lbs (125 kg)/3 pcs  
 Finishes: Dull Chrome, Dull Nickel, White, Polished Brass, Polished Nickel, Matte Black.

**\*UL Listed with 3 Hour Fire Rating**

FOR MORE DETAILS  
 General Catalog Pg. 185.1



### HES3D-E190\*

Min. Door Thickness: 1-1/2" (38 mm)  
 Max. Door Dimensions: 94-1/2" x 35-7/16" (2400 x 900 mm)  
 Max. Door Weight: 220 lbs (99 kg)/2 pcs or 275 lbs (125 kg)/3 pcs  
 Finishes: Dull Chrome, Dull Nickel, Polished Nickel, Matte Black, White

**\*UL Listed with 3 Hour Fire Rating**

FOR MORE DETAILS  
 General Catalog Pg. 184



### HES3D-E160

Min. Door Thickness: 1-3/8" (35 mm)  
 Max. Door Dimensions: 94-1/2" x 35-7/16" (2400 x 900 mm)  
 Max. Door Weight: 121 lbs (55 kg)/2 pcs or 154 lbs (70 kg)/3 pcs  
 Finishes: Dull Chrome, Dull Nickel, Matte Black

FOR MORE DETAILS  
 General Catalog Pg. 183



### HES3D-120

Min. Door Thickness: 1-1/8" (29 mm)  
 Max. Door Dimensions: 94-1/2" x 35-7/16" (2400 x 900 mm)  
 Max. Door Weight: 66 lbs (30 kg)/2 pcs or 88 lbs (40 kg)/3 pcs  
 Finishes: Dull Chrome, Dull Nickel, Matte Black

FOR MORE DETAILS  
 General Catalog Pg. 182



### HES3D-90

Min. Door Thickness: 15/16" (23 mm)  
 Max. Door Dimensions: 59-1/16" x 23-5/8" (1500 x 600 mm)  
 Max. Door Weight: 26 lbs (12 kg)/2 pcs or 35 lbs (16 kg)/3 pcs  
 Finishes: Dull Chrome, Dull Nickel, Matte Black

FOR MORE DETAILS  
 General Catalog Pg. 310



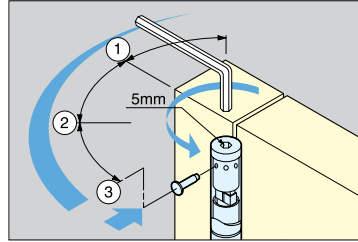
### HES3D-70

Min. Door Thickness: 3/4" (19 mm)  
 Max. Door Dimensions: 47-1/4" x 23-5/8" (1200 x 600 mm)  
 Max. Door Weight: 19.8 lbs (9 kg)/2pcs or 26.4 lbs (12 kg)/3 pcs  
 Finishes: Dull Chrome, Dull Nickel, Matte Black

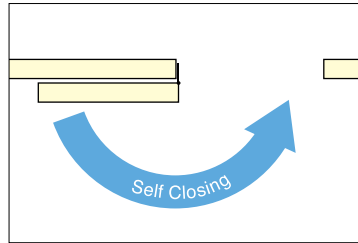
FOR MORE DETAILS  
 General Catalog Pg. 309

- Spring loaded for self-closing.
- Adjustable spring tension.
- Available in 2 sizes/strengths.
- Available in stainless steel and aluminum.
- Successfully passed 500,000 open/close private cycle tests.

Adjustable Spring Tension



Self Closing



JSA-120A



JSA-180S

Item No.	Material	Finish
JSA-120A	Aluminum	Anodized
JSA-180A		
JSA-120S	304 Stainless Steel	Satin
JSA-180S		

Item No.	Load Capacity		Weight (g)	Box (pcs)	Carton (pcs)
	2 Hinges	3 Hinges			
JSA-120A	44 lbs (20 kg)	66 lbs (30 kg)	175	2	20
JSA-180A	88 lbs (40 kg)	132 lbs (60 kg)	260		
JSA-120S	44 lbs (20 kg)	66 lbs (30 kg)	303		
JSA-180S	88 lbs (40 kg)	132 lbs (60 kg)	526		

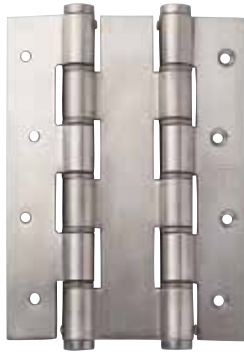
# DOUBLE ACTION SPRING HINGE



JDA



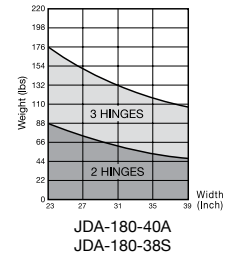
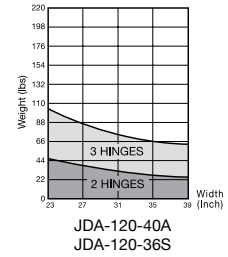
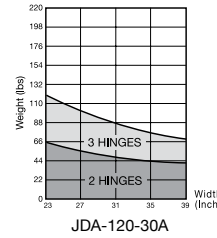
JDA-120-30A



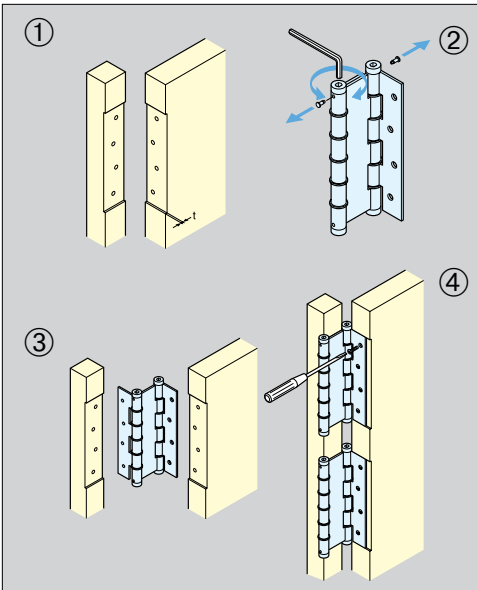
JDA-180-38S



- Spring loaded for self-closing.
- Adjustable spring tension.
- Available in 7 sizes and 2 materials.
- For 2-way swinging doors.
- Available in stainless steel and aluminum.
- Successfully passed 500,000 open/close private cycle tests.



### Installation



Item No.	Max. Door Thickness	Weight (g)	Material	Finish	Box (pcs)	Carton (pcs)
JDA-120-30A	1-3/16" (30 mm)	275	Aluminum	Anodized	2	20
JDA-120-40A	1-9/16" (40 mm)	320				
JDA-180-30A	1-3/16" (30 mm)	407				
JDA-180-40A	1-9/16" (40 mm)	466				
JDA-180-50A	1-31/32" (50 mm)	510	304 Stainless Steel	Satin		
JDA-120-36S	1-13/32" (36 mm)	555				
JDA-180-38S	1-1/2" (38 mm)	947				

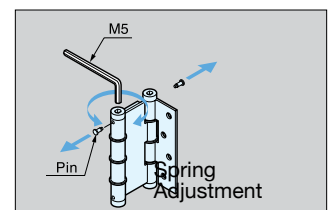
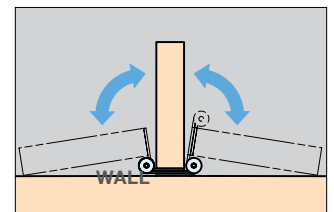
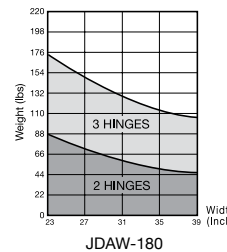
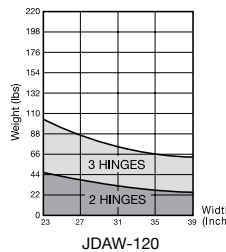
# DOUBLE ACTION SPRING HINGE Wall Mount



JDAW



- Spring loaded/self closing.
- Adjustable spring tension.
- Available in 2 sizes/strengths.
- Requires 8 #8 flathead countersunk screws, 3/4" or longer (not included).



Item No.	Door Thickness	Weight (g)	Box (pcs)	Carton (pcs)	Material	Finish
JDAW-120-35A	1-3/8" (35 mm)	350	2	20	Aluminum	Anodized
JDAW-180-35A						

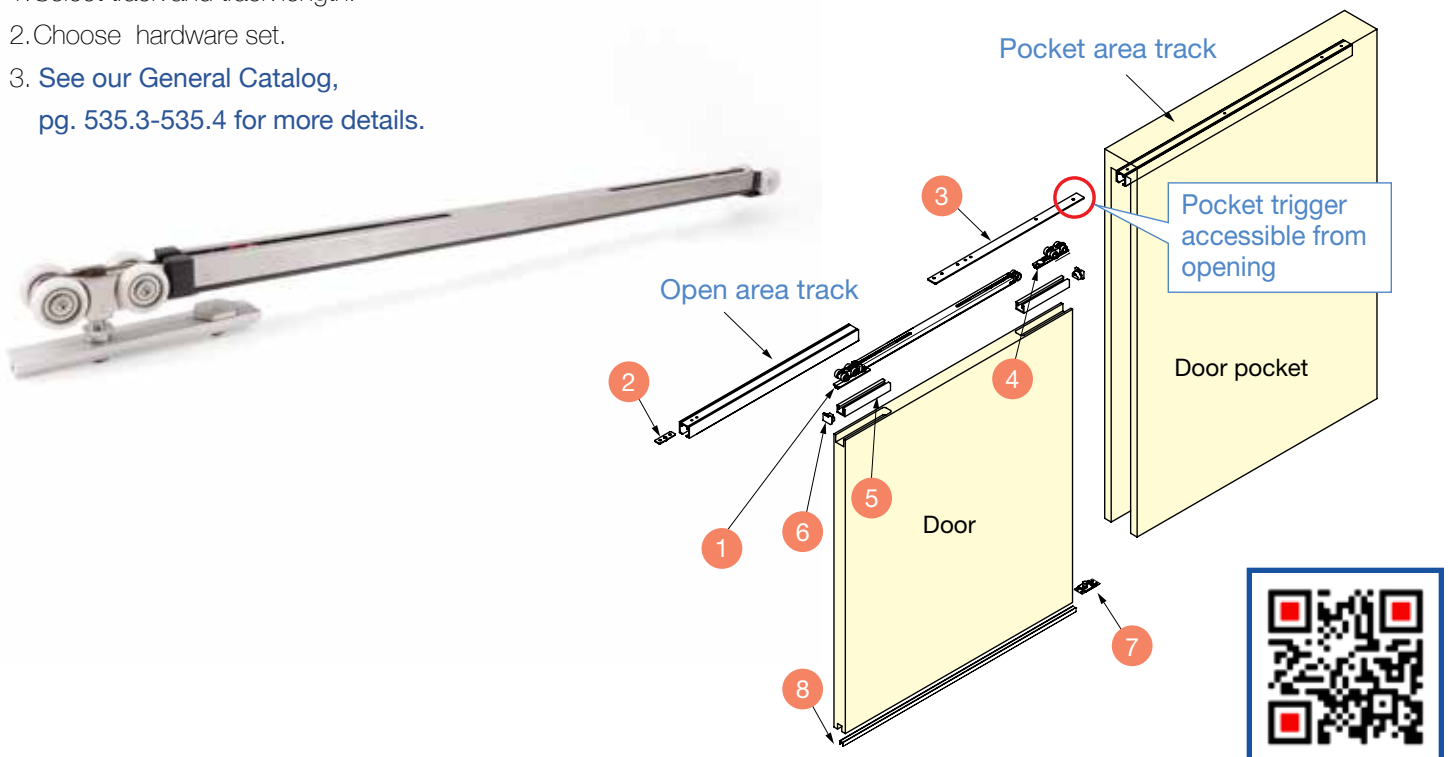


	FD80DHCHP-PD Recessed Mount
Roller	Top Recessed on Door
Track Mounting	Ceiling
Door Weight	Min. 77 lbs (35 kg)
	Max. 176 lbs (80 kg)
Door Thickness	Recessed: 1-5/16" (34 mm)
Door Width	If less than 98-7/16" (2500 mm) 30-7/8" ~ 59-1/16" (784 ~ 1500 mm)
	If greater than 98-7/16" (2500 mm) 33-7/16" ~ 59-1/16" (850 ~ 1500 mm)
Door Height	Max. 106-5/16" (2700 mm)

■ How to order:

1. Select track and track length.
2. Choose hardware set.
3. See our General Catalog, pg. 535.3-535.4 for more details.

- Load capacity: 176 lbs (80 kg).
- Use with removable jamb/trim/casing.
- Easy installation and maintenance.
- Built-in soft-close and soft-open damper.
- Two-rail system, allows all components to be fixed or adjusted through the opening without breaking the pocket.
- Rollers are recessed mounted to top of door.
- High durability, passed 200,000 cycle test (private).
- For interior use only.



## SURFACE MOUNT POCKET DOOR SYSTEM

FD80DHCMP-PD

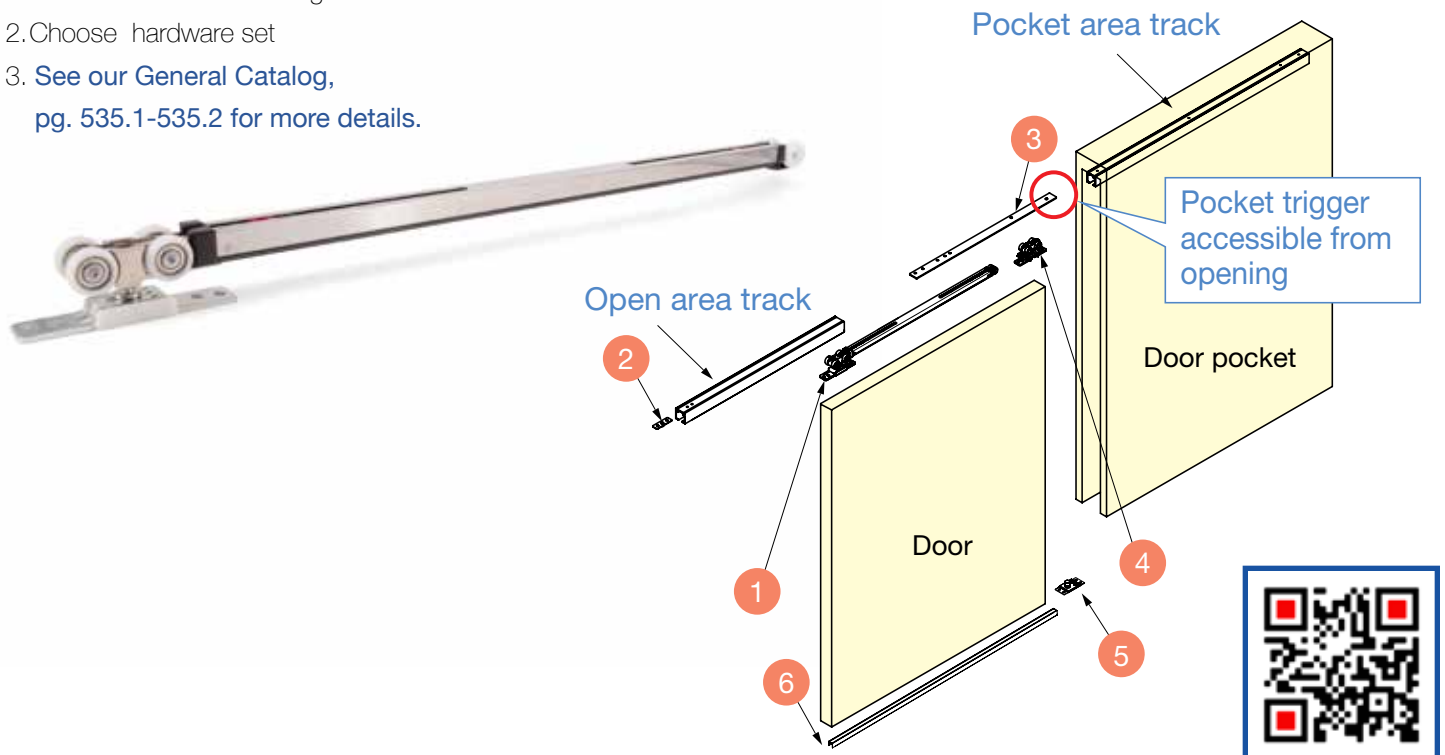


	FD80DHCMP-PD Recessed Mount
Roller	Top Surface on Door
Track Mounting	Ceiling
Door Weight	Min. 77 lbs (35 kg)
	Max. 176 lbs (80 kg)
Door Thickness	Surface: 1-3/16" (30 mm)
Door Width	If less than 98-7/16" (2500 mm) 30-7/8" ~ 59-1/16" (784 ~ 1500 mm) If greater than 98-7/16" (2500 mm) 33-7/16" ~ 59-1/16" (850 ~ 1500 mm)
Door Height	Max. 106-5/16" (2700 mm)

- How to order:

1. Select track and track length
2. Choose hardware set
3. See our General Catalog, pg. 535.1-535.2 for more details.

- Load capacity: 176 lbs (80 kg).
- Use with removable jamb/trim/casing.
- Easy installation and maintenance.
- Built-in soft-close and soft-open damper.
- Two-rail system, allows all components to be fixed or adjusted through the opening without breaking the pocket.
- Rollers are surface mounted to top of door.
- High durability, passed 200,000 cycle test (private).
- For interior use only.



# IWF EXCLUSIVE

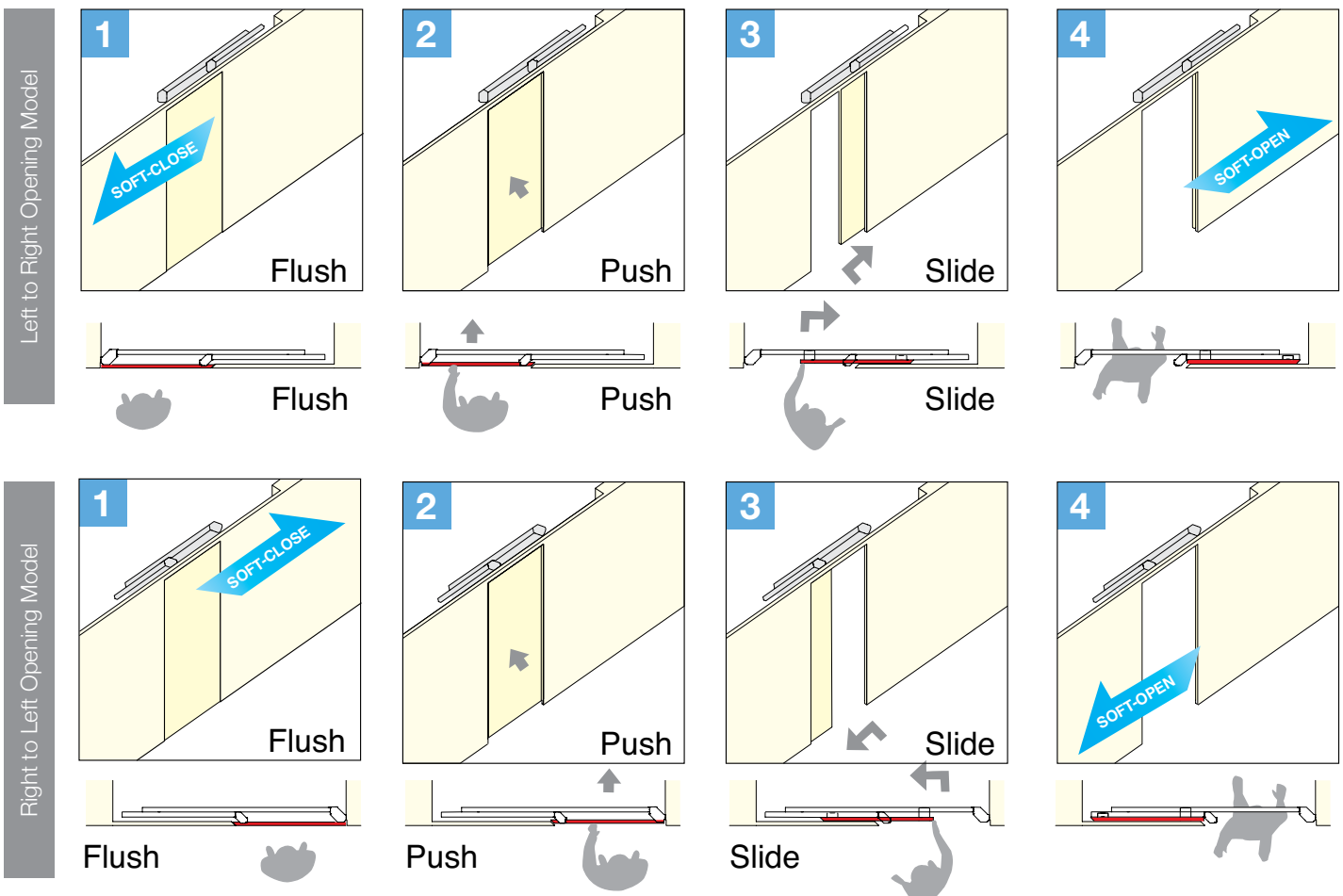
## MonoFlat UNISON

	MFU1200-40	MFU1200-70
Door Width	31-1/2" ~ 47-1/4" (800~1200 mm)	
Door Height	Max. 106-5/16" (2700 mm)	
Door Thickness	1-3/16" ~ 1-9/16" (30-40 mm)	
Door Weight	44 ~ 88 lbs (20 ~ 40 kg)	88 ~ 154 lbs (40 ~ 70 kg)
Adjustability	Depth: ±3.5 mm (1/8")	
	Horizontal: ±4 mm (3/16")	
	Vertical: ±4 mm (3/16")	

- Designed to CLOSE FLUSH against surrounding walls, providing sleek appearance.
- UNIQUE MOVEMENT: Recesses in, and then slides sideways in a smooth continuous motion.
- CLEAN APPEARANCE: No floor tracks required on MFU-System.
- Excellent performance, reliable and fully adjustable.
- Features two-way damper to avoid slamming during opening or closing.
- DURABILITY: High durability, passed 100,000 open/close cycle test (private).



Item No.	Description	Door Weight
MFU1200-40-L (Light duty Left)	Left to Right Opening	44 ~ 88 lbs (20 ~ 40 kg)
MFU1200-40-R (Light duty Right)	Right to Left Opening	
MFU1200-70-L (Heavy duty Left)	Left to Right Opening	88 ~ 154 lbs (40 ~ 70 kg)
MFU1200-70-R (Heavy duty Right)	Right to Left Opening	



\* The door cannot be opened from the inside without a handle (not included).



reddot award 2017  
winner



LIN-X1000



### FULL SIZE DOORS LIN-X1000

- Lateral Opening Mechanism: Allows doors to swing out laterally in a small radius, ideal for tight front space application.
- Heavy Duty: Max. weight 198 lbs.(90 kg).
- 4-Way Adjustable: Vertical, horizontal, depth and parallel adjustment.
- Smooth Movement: Built-in dampers provide a smooth soft-closing movement.
- Use in various applications: Ideal for closet entryways, large pantry doors, storage, hidden rooms, etc.
- Hardware is non-handed: can be used for left-opening or right-opening doors.
- Designed for overlay installation, but can be installed flush with the surrounding cabinet or wall. Please contact customer service for details on inset installations.



Door Width	29-1/2" ~ 43-5/16" (750 ~ 1100 mm)
Max. Door Height	117-5/16" (2980 mm)
Door Thickness	15/16" ~ 1-9/16" (24 ~ 40 mm)
Max. Door Weight	198 lbs (90 kg/door)

Item No.	Overlay	Material	Finish
LIN-X1000/WT-S	3/4"	Steel, Aluminum	White
LIN-X1000/BL-S	(19 mm)		Black



# Which System Works Best for You?

## FOR DOORS

### LIN-X1000

Door Width: 29-17/32" ~ 43-5/16" (750~1100 mm)  
 Door Height: Max. 117-21/64" (2980 mm)  
 Door Thickness: 15/16" ~ 1-37/64" (24~40 mm)  
 Door Weight: Max. 198 lbs (90 kg) / Door

FOR MORE DETAILS  
 General Catalog Pg. 561

### LIN-X800/LIN-X800H

Door Width: 29-17/32" ~ 33 7/16" (750~850 mm)  
 Door Height: Max. 94-1/2" (2400 mm)/117-5/16" (2980 mm)  
 Door Thickness: 15/16" ~ 1-9/16" (24~40 mm)  
 Door Weight: Max. 88 lbs (40 kg) / Door

## FOR CABINETS

### LIN-X450

Door Width: 15-3/4" ~ 19-11/16" (400~500 mm)  
 Door Height: Max. 94-1/2" (2400 mm)  
 Door Thickness: 5/8" ~ 15/16" (15~24 mm)  
 Door Weight: Max. 37.5 lbs (17kg) / Door

FOR MORE DETAILS  
 General Catalog Pg. 592

### LIN-X600

Door Width: 21-5/8" ~ 25-9/16" (550~650 mm)  
 Door Height: Max. 94-1/2" (2400 mm)  
 Door Thickness: 5/8" ~ 15/16" (15~24 mm)  
 Door Weight: Max. 52.8 lbs (24kg) / Door

## SERIES FEATURES

- Easy Installation with 4-Way Adjustability
- Space-Saving with Lateral Movement
- Full Access to Corner Cabinets
- Soft, Self-Closing Movement
- No Track or Rails Needed
- Allows Door and Cabinets to Stop Freely

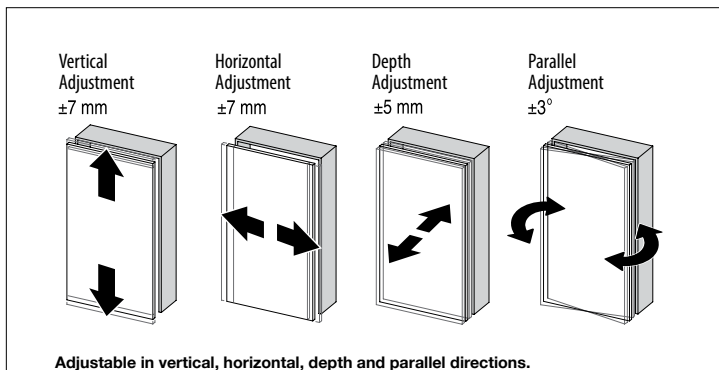


LIN-X800

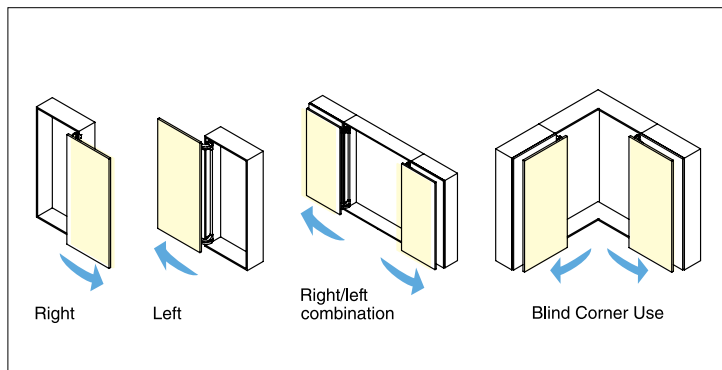


LIN-X450

### Adjustability



### Installation Examples



# LAPCON DOOR DAMPER (Recessed Type)

LDD-V100



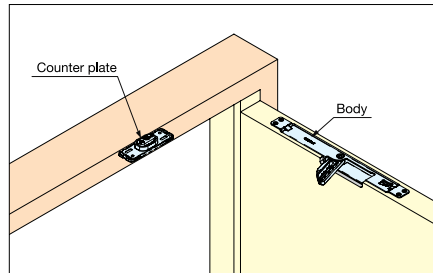
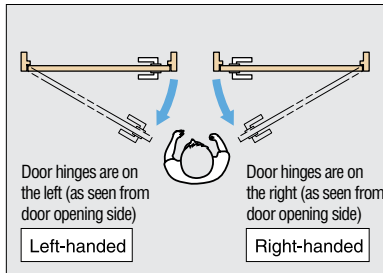
LDD-V100-NI-L shown.

Counter plate cover (Nickel/Dark brown)

- Door damper unit for interior, swinging doors.
- Grips door at final 15° and softly, self-closes doors more gently compared to other door closers, putting less stress on the hinges.
- Heavy Duty: Holds up to 220 lbs doors (100 kg).
- "Invisible" design minimizes visibility of hardware.
- Recommended Door Specifications:  
Thickness: min. 1-9/16"~2-3/8"  
Width: maximum 35-7/16"  
Weight: 88~220 lbs
- Can be adjusted for door weight after installation.
- Counterplate position can be easily adjusted.
- Includes screws and paper template for installation.

FOR MORE DETAILS  
General Catalog Pg. 204

[Door Hinge Side]



Item No.	Finish/Color	Type
LDD-V100-DBR-R	Dark Brown	Right
LDD-V100-DBR-L		Left
LDD-V100-NI-R	Nickel	Right
LDD-V100-NI-L		Left

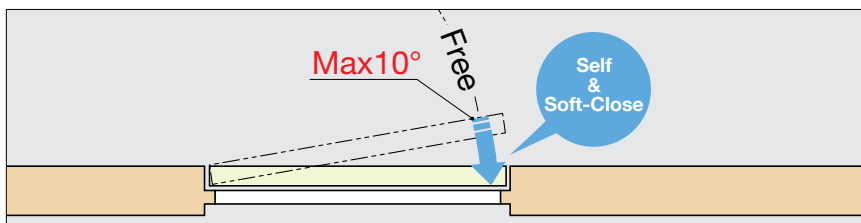
# LAPCON DOOR DAMPER (Recessed Type)

LDD-V



- Door damper unit for interior, swinging doors.
- Grips door at final 10° and softly, self-closes doors more gently compared to other door closers, putting less stress on the hinges.
- "Invisible" design minimizes visibility of hardware.
- Recommended Door Specifications:  
Thickness: minimum 33 mm (1-5/16")  
Width: maximum 914 mm (3' 0")  
Weight: 15~40 kg (33~88 lbs)
- Can be adjusted for door weight after installation.  
Counterplate position can be easily adjusted by removing cover and turning micro-adjustment screws.
- Includes screws and paper template for installation.

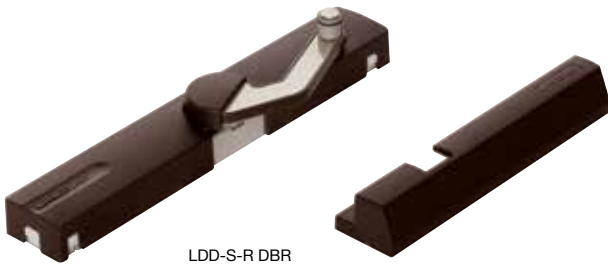
FOR MORE DETAILS  
General Catalog Pg. 202



Item No.	Finish/Color	Type
LDD-V-R	Nickel/Grey	Right
LDD-V-L		Left

# LAPCON DOOR DAMPER (Surface Mount Type)

LDD-S



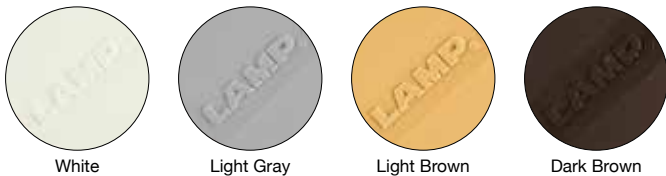
LDD-S-R DBR  
(Right - handed)

- Door damper unit for interior, swinging doors.
- Grips door at final 15° and softly, self-closes doors more gently compared to other door closers.
- Surface mounting allows hardware to be retrofitted.
- Recommended Door Specifications:  
Width: Max. 914 mm (3' 0")  
Weight: 15~40 kg (33~88 lbs)
- Can be adjusted for door weight after installation, damper function can also be switched off.
- Slim, unobtrusive design: damper unit is just 3/4" high, easily fitting most door frames.

FOR MORE DETAILS  
General Catalog Pg. 200



■ Available in the following colors:



White      Light Gray      Light Brown      Dark Brown

Item No.	Handing	Weight (kg)	Finishes
LDD-S-L	Left	0.55 (1.2 lbs)	White (WT), Light Grey (LGR), Light Brown (LBR), Dark Brown (DBR)
LDD-S-R	Right		

# IWF EXCLUSIVE



## The Magnetic Touch

The mighty **ML-ZN80 Push-To-Open Door Latch** featuring a strong 11 lbs push force, ideal for large doors, and it features a magnet that allows tolerance with 1.5° swivel. The hidden mounting screw design offers a clean appearance and easy installation, available in two finishes.



**The only Push-To-Open Door Latch of this category, available in the market.**

Scan to see it in action

Item No.	Mag. Force	Push Force	Materials	Finish/Color
ML-ZN80-WT	6.6 lbs	11 lbs	Zinc, Plastic, Stainless Steel	White
ML-ZN80-BL				Black



Scan to see  
complete catalog



# Pure Elegance

Similar to that of a fine handcrafted timepiece, precision is at the heart of the process to blend its gentle edges with an immaculate finish.

A process that requires the expertise of a jeweler. With its intricate design details bestowed upon marine grade stainless steel, Zwei L<sup>®</sup> delivers a simple, natural beauty that compliments a variety of luxurious environments.

**Zwei L<sup>®</sup>**  
by Sugatsune

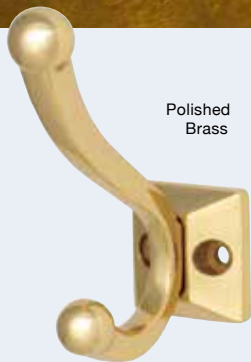
# Beyond Decorative!

Decorative Hooks can be the finishing touches to any environment. They add interesting details to simple and minimalistic styles, they also add personality and provide an opportunity to express unique personal style.

## PXB-BN05-211/231

Our Forged Brass Double Hook is the perfect accent to any classical or contemporary style. Built from luxurious solid brass, forged to perfection and finished with a clear lacquer to prevent tarnishing.

Polished Brass



Blasted Metal      Satin Brass      Antique Brass      Matte Black

## Aged and Forged Metals



Scan QR code to explore our full selection of decorative hooks



AGED CAST  
PXB-AC05-111  
Base: Brass



AGED BASE  
PXB-AB05-101,111  
Base: Brass



AGED SCREW  
PXB-AS05  
Base: Brass



PXB-BN05-211

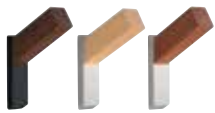


PXB-WM05-111-211



PXB-GR05-211

## Premium Materials



PREMIUM WOOD  
PXB-WM-5-111  
Base: Zinc Alloy, Steel  
Arm: Birch, Walnut, Hornbeam



LEATHER CHIC  
PXB-LE05-111  
Silicone Rubber, Zinc Alloy



URBAN METAL  
PXB-UM05-101  
Aluminum Alloy



URBAN METAL QUEST  
PXB-UM05101-Q1  
Aluminum Alloy, Brass



NORDIC RUBBER  
PXB-GN05-101  
Silicone Rubber, Stainless Steel

## Exceptionally Colorful



GOMU RANGER DOUBLE  
PXB-GR05-211  
Silicone Rubber,  
304 Stainless Steel



GOMU RANGER SINGLE  
PXB-GR05-111  
Silicone Rubber,  
304 Stainless Steel



RUBBER HOOK NORDIC  
PXB-GN05-101  
Silicone Rubber, Zinc Alloy

All our rubber hooks are reinforced with metal to provide a higher load capacity while staying safe in any environment and adding a colorful and playful accent to your room.





DSI-4251

■ Available in 6 sizes



Material	Finish
304 Stainless Steel	Satin, Black

DSI-4253

■ Available in 5 sizes



Material	Finish
304 Stainless Steel	Satin, Black

DSI-3250

■ Available in 4 sizes  
■ Available in 3 finishes



Material	Finish
304 Stainless Steel or Brass	Black, Satin Antique Brass

Black

Satin

Antique Brass



DSI-4258

■ Available in 2 sizes



Material	Finish
304 Stainless Steel	Satin, Black

DSI-4257

■ Available in 2 sizes



Material	Finish
304 Stainless Steel	Satin, Black

# DOOR STOPPERS

FOR MORE DETAILS  
General Catalog Pgs. 206 - 209



## SMDH

- Can be wall or floor mounted



Material	Finish
Polycarbonate	Brown, Ivory



## KMDH

- Can be wall or floor mounted



Material	Finish
Polycarbonate	Brown, Ivory



## DSD-02

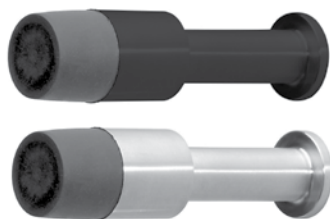
- Floor mount type
- Available in 2 sizes



Material	Finish
304 Stainless Steel	Satin, Black

## DSD-03

- Wall mount type
- Available in 3 sizes



Material	Finish
304 Stainless Steel	Satin, Black

## HT-32P

- Features clear acrylic bumper



Material	Finish
304 Stainless Steel	Satin

# sugatsune.com



**Sugatsune America**  
18101 Savarona Way,  
Carson, CA 90746  
Toll Free: 800-562-5267  
sales@sugatsune.com



**Sugatsune Canada, Inc.**  
3775 Boulevard du Tricentenaire,  
Montréal, Québec H1B-5W3  
Toll Free: 833-312-5267  
support@sugatsune.ca  
[www.sugatsune.ca](http://www.sugatsune.ca)

LIT-IWF-2022