



SLIDING & FOLDING DOOR HARDWARE

SLIDING DOOR HARDWARE
SYNCHRONIZED SLIDING DOOR HARDWARE
LATERAL OPENING DOOR HARDWARE
GLASS SLIDING DOOR HARDWARE
FOLDING DOOR HARDWARE
ALUMINUM FRAME DOOR HARDWARE

SLIDING & FOLDING DOOR HARDWARE

SLIDING, SOFT CLOSE OPTION / FOLDING DOOR HARDWARE

**FD30**

P.534~535

Max. Door Weight 66 lbs

**FD80-PD** Surface

P.535.1-535.2

Max. Door Weight 275 lbs

**FD80-PD** Recessed

P.535.3-535.4

Max. Door Weight 600 lbs

**SDR-RA80-RM**

P.536~537

Max. Door Weight 200 lbs

**SDR-RA80-SM**

P.538~539

Max. Door Weight 200 lbs

**SDR-A125**

P.540~541

Max. Door Weight 275 lbs

**SDR-A300**

P.542~543

Max. Door Weight 600 lbs

**SDR-RA80SYN**

P.544~545 Synchronized

Max. Door Weight 176 lbs

**SDR-A125SYN**

P.546~547 Synchronized

Max. Door Weight 275 lbs

**SFD**

P.548~551

Max. Door Weight 17.6 lbs

**FD30-F**

P.552~557

Max. Door Weight 33 lbs

**SDR-A84D**

P.558~559

Max. Door Weight 88 lbs

SPECIALITY DOOR HARDWARE



P.561~562

Lateral Opening Door
Max. Door Weight 198 lbs**LIN-X1000**

P.568~569

Self Closing Door
Max. Door Weight 66~176 lbs**LM-80**

SPECIALITY DOOR HARDWARE



MonoFlat UNISON

P.566~567

Flush Closing Door Max. Door Weight 66 lbs

MFU

ALUMINUM FRAME DOOR HARDWARE



P.570~572

Swing Open
Max. Door Weight 88 lbs

AF-25D



P.574~577

Sliding Door/Soft Close Option
Max. Door Weight 176 lbs

FD80-AF

GLASS SLIDING DOOR HARDWARE



P.582~583

Self Closing
Max. Door Weight 66 ~ 176 lbs

LM-80G

SLIDING DOOR SYSTEM (Door Weight 66 lbs)

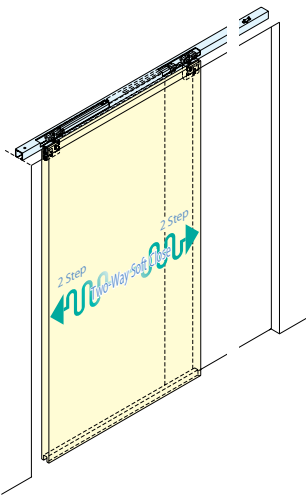
FD30

SLIDING & FOLDING DOOR HARDWARE

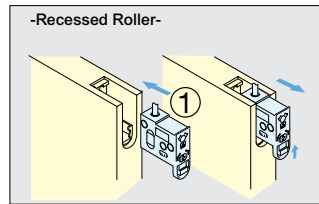


Type	FD30			
	Standard Sliding		One-way Soft Close	Two-way Soft Close
Roller	Recessed	Side Mount	Recessed	Recessed
Door Weight	Max. 66 lbs (30 kg)			
Door Thickness (Min.)	1"(24 mm)	1-1/8"(28 mm)	1"(24 mm)	
Door Width	Max. 39-3/8" (1000 mm)		20"-39-3/8" (510~1000 mm)	23-1/4"-39-3/8" (590~1000 mm)
Door Height	Max.94-1/2" (2400 mm)			

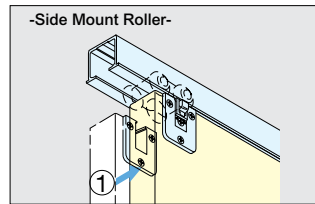
- Thin profile allows flexible design on various application
- Soft-Close Type available by selecting each roller type
- Various parts available for many applications
- *Designed for interior use, not exterior.



■ Door Installation

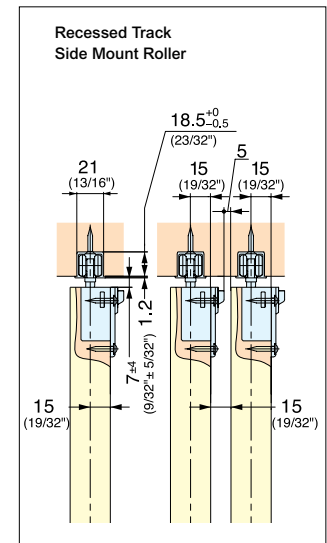
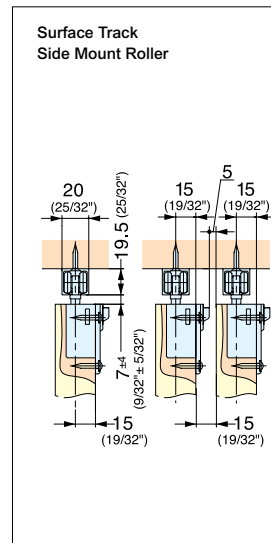
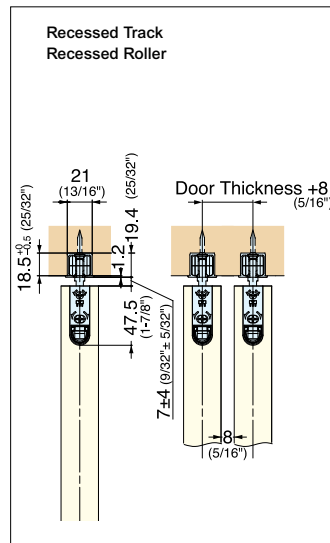
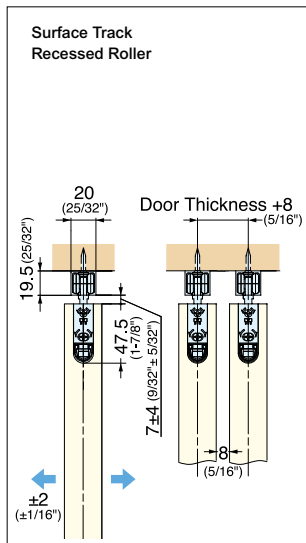
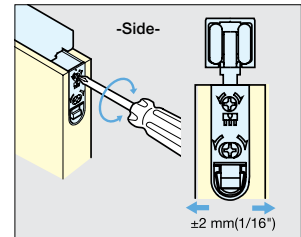
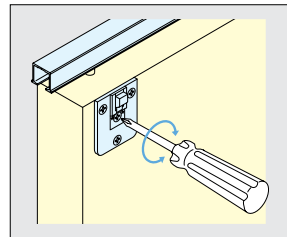
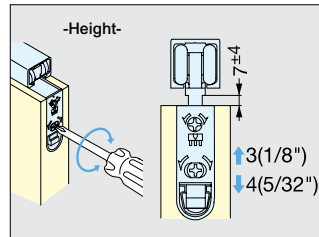


① Snap-in



① Snap-in

■ Adjustment (With Phillips Screwdriver)



SLIDING DOOR SYSTEM (DOOR WEIGHT 66 LBS)

Parts Set (per door)		Necessary Parts	
Please refer to "Qty [a] ~ [d]" for parts included in each set.			
	Item No.	Description	
		Roller	Function
[a]	FD30-DHCP	Recessed	Two Way Soft-Close
[b]	FD30-HCP	Recessed	One Way Soft-Close
[c]	FD30-HHP	Recessed	Standard Sliding
[d]	FD30-HUP	Side-Mount	Standard Sliding

Parts Included

No.	Qty				Part Name	Description
	[a]	[b]	[c]	[d]		
1	1 pc	-	-	-	Recessed-Roller Soft-Closer (Two-Way) FD30-WRH-DSC	<ul style="list-style-type: none"> Material Zinc Alloy/Polyacetal Finish Yellow Zinc Chromate /Light Brown
2	-	1 pc	-	-	Recessed-Roller Soft-Closer (One-Way) FD30-WRH-SC	<ul style="list-style-type: none"> Material Zinc Alloy/Polyacetal Finish Yellow Zinc Chromate /Light Brown
3	1 pc	1 pc	2 pcs	-	Recessed-Roller Standard Sliding FD30-WRH	<ul style="list-style-type: none"> Material Zinc Alloy/Polyacetal Finish Yellow Zinc Chromate /Light Brown
4	-	-	-	2 pcs	Side-Mount Roller Standard Sliding FD30-WRU	<ul style="list-style-type: none"> Material Steel/Polyacetal Finish Yellow Zinc Chromate /Brown
5	1 pc	1 pc	1 pc	1 pc	Floor Guide FD30-HBG	<ul style="list-style-type: none"> Material Steel/Polyamide Finish Yellow Zinc Chromate /Light Brown
6	-	1 pc	2 pcs	2 pcs	End Stopper FD30-HTST-DB	<ul style="list-style-type: none"> Material Steel/Polyacetal Finish Yellow Zinc Chromate /Brown

Optional Parts

	Part Name	Description
7	Door Stopper FD30-HTKY	<ul style="list-style-type: none"> Material Zinc Alloy/Rubber Finish/Grey
8	Stopper Block FD30-HSB	<ul style="list-style-type: none"> Material/Polyacetal Finish/Dark Brown
9	Cover Cap FD30-WRH-CP	<ul style="list-style-type: none"> Material Polypropylene Finish: Light Brown *Dark Brown/White
10	Bottom Guide (For By-pass Door) FD30-HGW	<ul style="list-style-type: none"> Material/Polyamide Finish/Light Brown
11	Door Guide Track FD30-HBRT1500SIL	<ul style="list-style-type: none"> Material/Aluminum Finish Anodized Silver

Upper Tracks

	Length	Item No.		Dimension, Material / Finish			
		Surface Mount	Recessed Mount	Surface	Recessed		
Standard	71-5/8" (1820 mm)	FD30-TRM1820SIL	FD30-TRH1820SIL				
	107-1/2" (2730 mm)	FD30-TRM2730SIL	FD30-TRH2730SIL				
	143-5/16" (3640 mm)	FD30-TRM3640SIL	FD30-TRH3640SIL				
Soft-closing	71-5/8" (1820 mm)	FD30-TRM1820SCSIL	FD30-TRH1820SCSIL			Aluminum / Anodized Silver	
	107-1/2" (2730 mm)	FD30-TRM2730SCSIL	FD30-TRH2730SCSIL				
	143-5/16" (3640 mm)	FD30-TRM3640SCSIL	FD30-TRH3640SCSIL				

SLIDING POCKET DOOR SYSTEM (Surface Mount)

FD80DHCMP-PD

SLIDING & FOLDING
DOOR HARDWARE

SLIDING DOOR SYSTEM (DOOR WEIGHT 176 LBS)

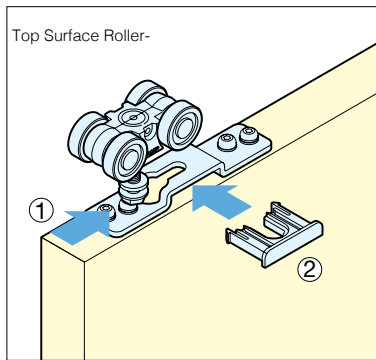


Door Weight	Max. 176 lbs (80 kg)
Door Thickness (Min.)	1-3/16" (30 mm)
Door Width	30-7/8" ~ 59-1/16" (784-1500 mm) [98-7/16" (2500 mm) or less in height] 33-7/16" ~ 59-1/16" (850-1500 mm) [98 7/16" ~ 106-5/16 (2501-2700 mm) in height]
Door Height	Max. 106-5/16" (2700 mm)

- Easy installation and maintenance
- Built in soft-close and soft-open damper.
- Two-rail system, allows all components to be fixed or adjusted through the opening without breaking the pocket (Sold Separately).
- Use with removable jam/trim/casing
- For interior use only.
- Rollers are surface mounted to top of door.
- High durability, passed 200,000 cycle test (private).

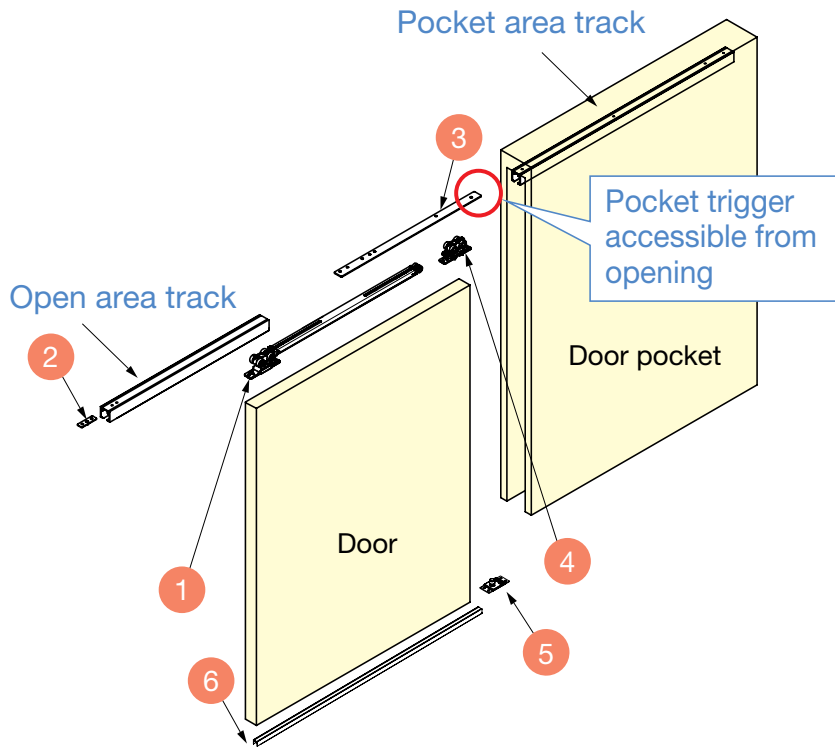
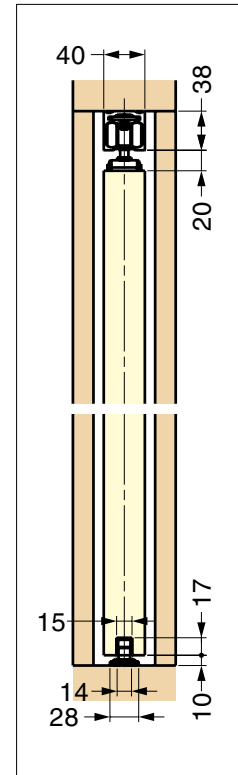
NOTE: Pocket Door Retail Kit (FD80PD-SM2-RT) includes hardware and 2160 mm track.

Door Installation



① Slide-in ② Fix

Surface Track
Top Surface Roller



Parts Set (Per Door)		Necessary Parts
Item Code	Item Name	Description
250-029-722	FD80DHCMP-PD	Surface Mount Roller Two-Way Soft Close

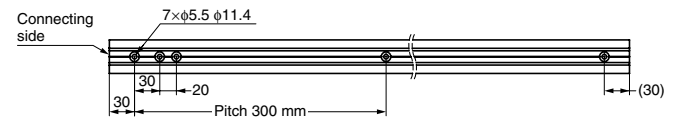
Parts Included

No.	Qty	Part Name	Dimensions	Description
1	1 pc	Surface Mount Roller Two-Way Soft Close		Item Name: FD80-WRM-DSC Material: Steel / Polyacetal (POM) Finish: Chromate / Black Screw: Pan Head Tapping Screw 4x45 Remark: Do not use the included trigger.
2	1 pc	Front Trigger		Item Name: FD80-TRGPF Material: Stainless Steel (SUS304) Finish: Plain
3	1 pc	Pocket Trigger		Item Name: FD80-TRGPB-MB Material: Stainless Steel (SUS304) Finish: Plain
4	1 pc	Surface Mount Roller		Item Name: FD80-WRM Material: Zinc Alloy (ZDC) / Polyacetal (POM) Finish: Nickel / Natural Screw: Pan Head Tapping Screw 4x45
5	1 pc	Floor Guide		Item Name: FD50-BGR18 Material: Stainless Steel (SUS430) / Polyacetal (POM) Finish: Countersunk / Natural Screw: Pan Head Tapping Screw 4x45
6	1 pc	Bottom Guide Rail (1500 mm)		Item Name: FD30-HBRT1500SIL Material: Aluminium Alloy Finish: Anodized Silver

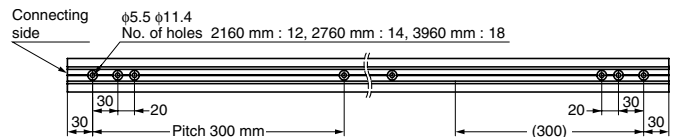
Upper Track		Necessary Parts			
No.	Length	Item Code	Part Name	Dimensions	Desc.
7	1260 mm	FD80-TRP1260-SL	Upper Track		Material: Aluminium Alloy Finish: Anodized Silver
8	2160 mm	FD80-TRP2160-SL			
9	2760 mm	FD80-TRP2760-SL			
10	3960 mm	FD80-TRP3960-SL			

Hole Dimensions of Upper Track

In case of 1260 mm



In case of 2160 mm, 2760 mm & 3960 mm



SLIDING POCKET DOOR SYSTEM (Recessed Mount) **FD80DHCHP-PD**

SLIDING & FOLDING DOOR HARDWARE

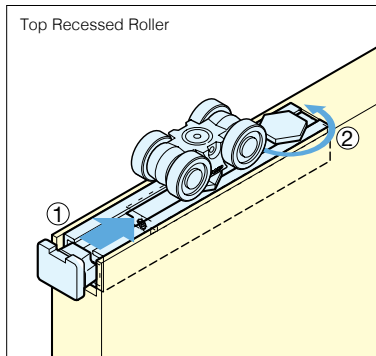


Door Weight	Max. 176 lbs (80 kg)
Door Thickness (Min.)	Recessed: 1-5/16" (34 mm), Surface: 1-3/16" (30 mm)
Door Width	30-7/8" ~ 59-1/16" (784-1500 mm) [98-7/16" (2500 mm) or less in height] 33-7/16" ~ 59-1/16" (850-1500 mm) [98 7/16" ~ 106-5/16 (2501-2700 mm) in height]
Door Height	Max. 106-5/16" (2700 mm)

- Easy installation and maintenance
- Built in soft-close and soft-open damper.
- Two-rail system, allows all components to be fixed or adjusted through the opening without breaking the pocket (Sold Separately).
- Use with removable jam/trim/casing
- For interior use only.
- Rollers are recess mounted to top of door.
- High durability, passed 200,000 cycle test (private)

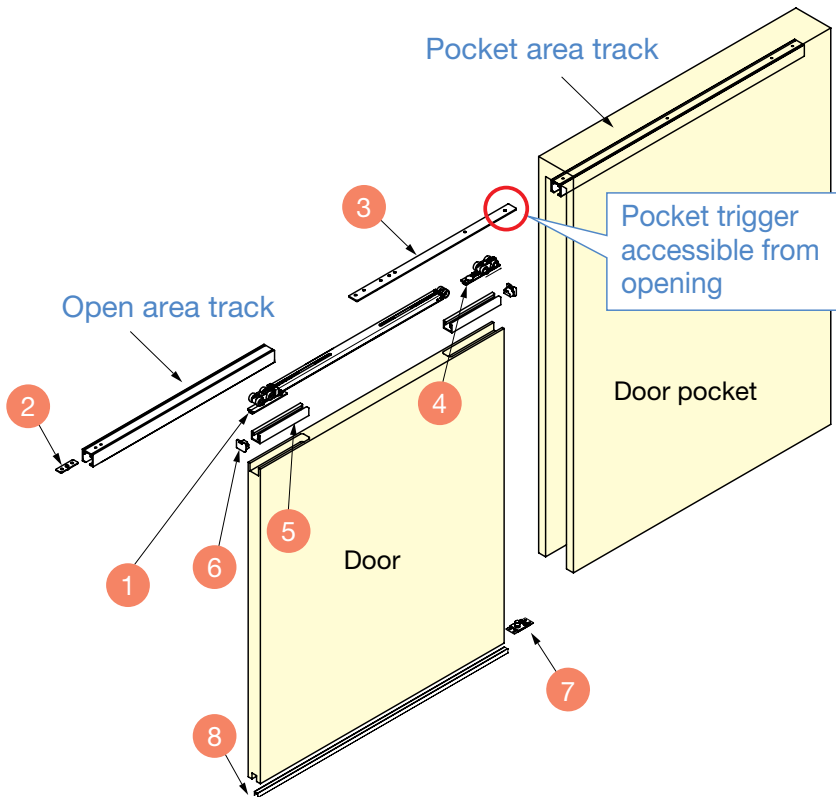
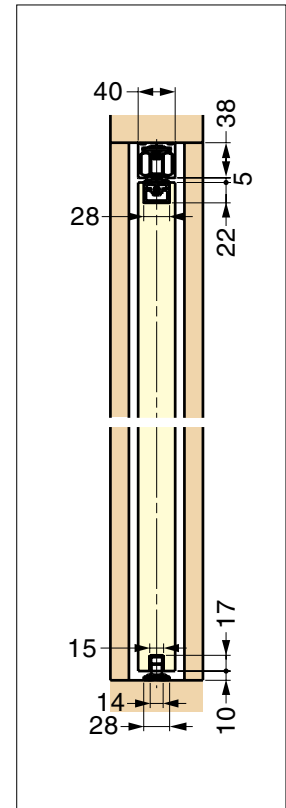
NOTE: Pocket Door Retail Kit (FD80PD-RM2-RT) includes hardware and 2160 mm track.

Door Installation



① Slide-in ② Turn & Fix

Surface Track
Top Recessed Roller



Parts Set (Per Door)		Necessary Parts
Item Code	Item Name	Description
250-029-771	FD80DHCHP-PD	Recessed Roller Two-Way Soft Close

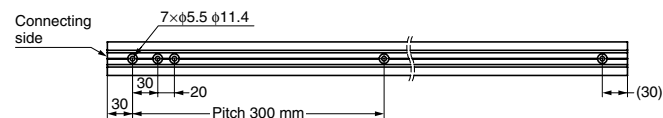
Parts Included

No.	Qty	Part Name	Dimensions	Description
1	1 pc	Recessed Mount Roller Two-Way Soft Close		Item Name: FD80-WRH-DSC · Material: Zinc Alloy (ZDC) / Polyacetal (POM) · Finish / Colour: Nickel / Black Remarks: Do not use the included trigger.
2	1 pc	Front Trigger		Item Name: FD80-TRGPF · Material: Stainless Steel (SUS304) · Finish: Plain
3	1 pc	Pocket Trigger		Item Name: FD80-TRGPB-MB · Material: Stainless Steel (SUS304) · Finish: Plain
4	1 pc	Recessed Roller		Item Name: FD80-WRH · Material: Zinc Alloy (ZDC) / Polyacetal (POM) · Finish / Colour: Nickel / Natural
5	2 pcs	Hanging Bracket (160 mm)		Item Name: FD70B-HB160 · Material: Aluminium Alloy · Finish: Anodized Silver · Screw: Pan Head Tapping Screw 5x40
6	2 pcs	End Cap		Item Code: 250-121-142 Item Name: FD70B-EC-BL · Material: Elastomer (TPE) · Colour: Black
7	1 pc	Floor Guide		Item Name: FD50-BGR18 · Material: Stainless Steel (SUS430) / Polyacetal (POM) · Finish / Colour: Polished / Natural · Screw: Raised Countersunk Head Tapping Screw 3.5x30
8	1 pc	Bottom Guide Rail (1500 mm)		Item Name: FD30-HBRT1500SIL · Material: Aluminium Alloy · Finish: Anodized Silver

Upper Track		Necessary Parts			
No.	Length	Item Code	Part Name	Dimensions	Desc.
9	1260 mm	FD80-TRP1260-SL	Upper Track		· Material: Aluminium Alloy · Finish: Anodized Silver
10	2160 mm	FD80-TRP2160-SL			
11	2760 mm	FD80-TRP2760-SL			
12	3960 mm	FD80-TRP3960-SL			

Hole Dimensions of Upper Track

· In case of 1260 mm



· In case of 2160 mm, 2760 mm & 3960 mm



RECESSED MOUNT SLIDING DOOR HARDWARE (Door Weight 200 lbs) SDR-RA80-RM

SLIDING & FOLDING
DOOR HARDWARE

RECESSED MOUNT SLIDING DOOR HARDWARE (DOOR WEIGHT 200 LBS)



Type	SDR-RA80-RM	
	Recessed Mount Sliding Door	
Roller	Top Recessed	
Track Mounting	Ceiling	Wall w/Continuous Bracket
Door Weight	Max. 200 lbs (90 kg)	
Door Thickness	Min. 1-1/8" (28 mm)	
Door Width	Two-Way Soft Close Min. 33-7/16" (850 mm) Standard Close Min. 23-5/8" (600 mm)	


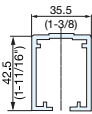

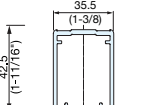
- Successfully passed 100,000 cycles test (private).
- 200 lbs (90kg)
- Ceiling and Barn Door Mount
- Recessed Mounted door brackets
- Double rollers with ball bearings
- Quiet precision movement
- Soft Close Feature
- Low profile minimum gap of 1/8" (3 mm)
- Vertical Adjustment $\pm 1/16"$ (1 mm)

■ How to order

1. Select track and track length
 - 1A. Select any optional parts for track
2. Choose a hardware set (dual soft closing or standard)

Ordering Information



■ 1. Track Options

Track Type	Length	Item No.	Description
Standard Aluminum Track	78-3/4" (2000 mm)	SDR-RA80-2000	 
	118-1/8" (3000 mm)	SDR-RA80-3000	
False Ceiling Aluminum Track	78-3/4" (2000 mm)	SDR-RA80-TC-2000	 

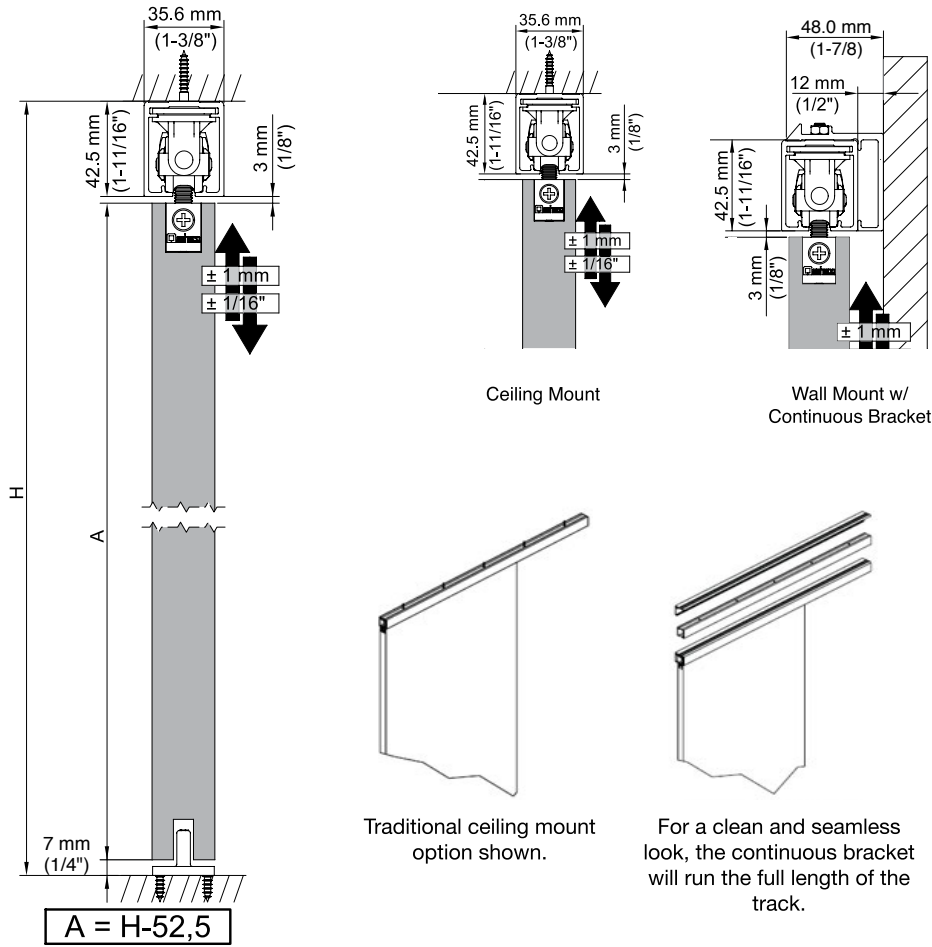
■ 1A Optional Parts for Track

 SDR-RA80WL-2000 SDR-RA80WL-3000 Wall Mount Bracket	 SDR-RA80-8083 End Cover for Track	 SDR-RA80-8085 End Cover for Track & Wall Mount Bracket	 SDR-A-4140 Bottom Guide Roller	 SDR-A-4131 Bottom Guide Channel
---	---	--	---	---

■ 2. Hardware Set

Closing Feature	Item No.	Set Details
Two-Way Soft Close	SDR-RA80-RM-DSC	 <p>(1) SDR-RA80-8084 Recessed Bracket</p> <p>(2) SDR-RA80-8006 Soft Close Rollers</p>
Standard Closing	SDR-RA80-RM-RR	 <p>(1) SDR-RA80-8084 Recessed Bracket</p> <p>(2) SDR-RA80-8080 Standard Rollers</p>

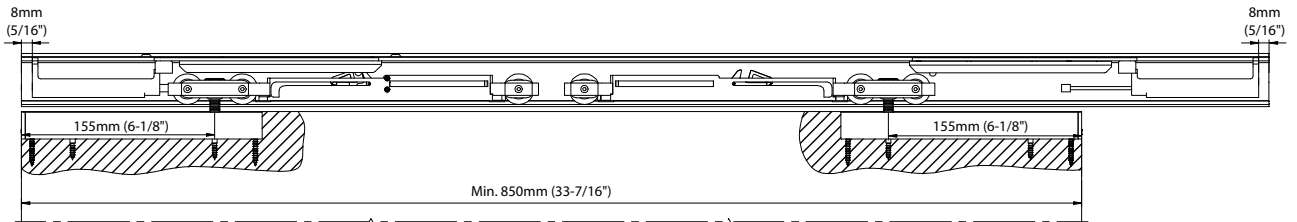
TRACK MOUNTING OPTIONS



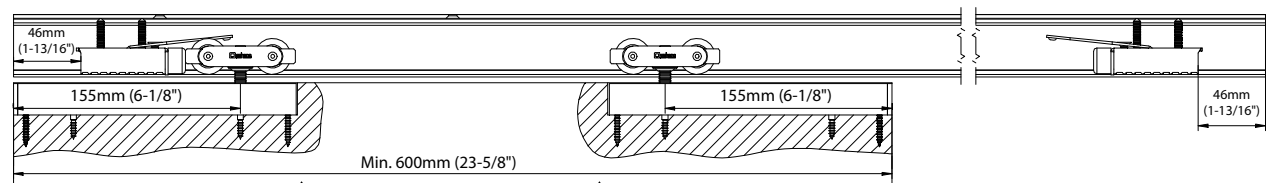
Track Details

Two-Way Soft Close

* Complete smooth and silent soft close motion in both directions



Standard Closing

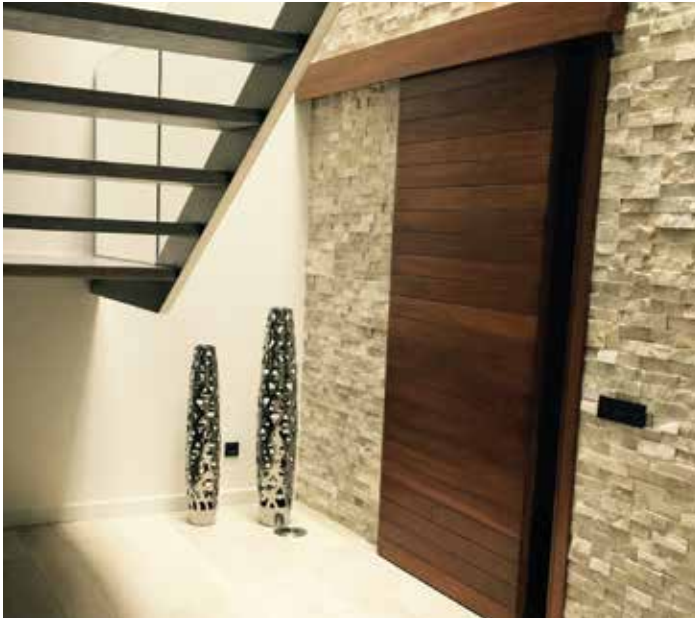


SURFACE MOUNT SLIDING DOOR HARDWARE (Door Weight 200 lbs)

SDR-RA80-SM

SLIDING & FOLDING DOOR HARDWARE

SURFACE MOUNT SLIDING DOOR HARDWARE (DOOR WEIGHT 200 LBS)



Type	SDR-RA80-SM	
	Surface Mount Sliding Door	
Roller	Top Surfaced	
Track Mounting	Ceiling	Wall w/Continuous Bracket
Door Weight	Max. 200 lbs (90 kg)	
Door Thickness	Min. 1-1/8"(28 mm)	
Door Width	Two-Way Soft Close Min. 32-1/2" (825 mm) Standard Close Min. 23-5/8" (600 mm)	



- Successfully passed 100,000 cycles test (private).
- 200 lbs (90kg)
- Ceiling and Barn Door Mount
- Surface Mounted door brackets
- Double rollers with ball bearings
- Quiet precision movement
- Soft Close Feature
- Vertical Adjustment $\pm 1/16"$ (1 mm)

■ How to order

1. Select track and track length
 - 1A. Select any optional parts for track
2. Choose a hardware set (dual soft closing or standard)

Ordering Information



■ 1. Track Options

Track Type	Length	Item No.	Description
Standard Aluminum Track	78-3/4" (2000 mm)	SDR-RA80-2000	 
	118-1/8" (3000 mm)	SDR-RA80-3000	
False Ceiling Aluminum Track	78-3/4" (2000 mm)	SDR-RA80-TC-2000	 

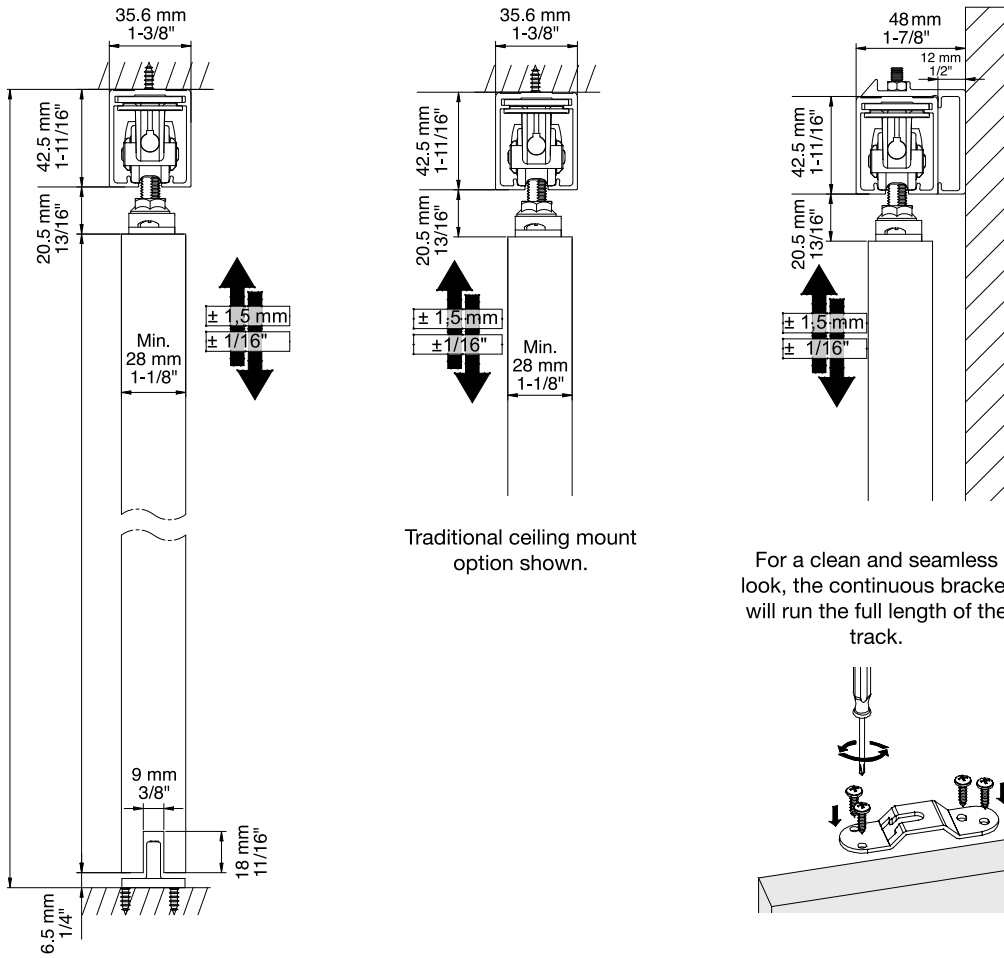
■ 1A Optional Parts for Track

 SDR-RA80WL-2000 SDR-RA80WL-3000 Wall Mount Bracket	 SDR-RA80-8083 End Cover for Track	 SDR-RA80-8085 End Cover for Track & Wall Mount Bracket	 SDR-A-4140 Bottom Guide Roller	 SDR-A-4131 Bottom Guide Channel
---	---	--	---	---

■ 2. Hardware Set

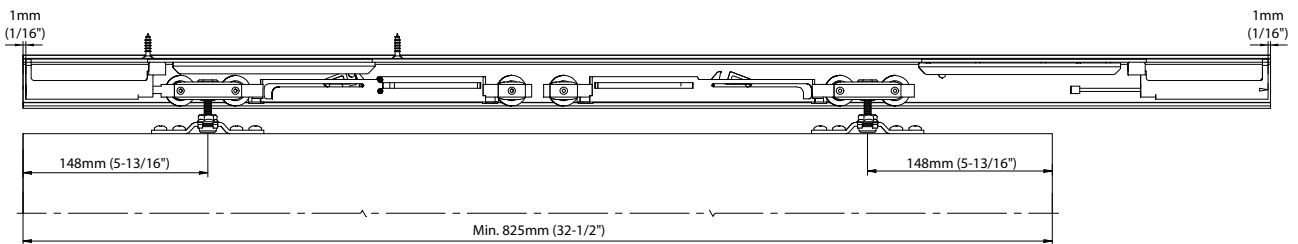
Closing Feature	Item No.	Set Details
Dual Soft Close	SDR-RA80-SM-DSC	 (1) SDR-RA80-SM-KIT Surface Mount Brackets + (2) SDR-RA80-8006 Soft Close Rollers
Standard Closing	SDR-RA80-SM-RR	 (1) SDR-RA80-SM-KIT Surface Mount Brackets + (2) SDR-RA80-8080 Standard Rollers

TRACK MOUNTING OPTIONS

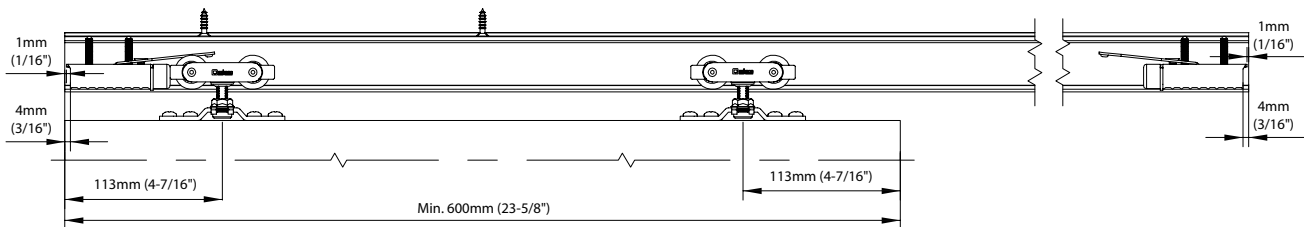


Two-Way Soft Close

* Complete smooth and silent soft close motion in both directions



Standard Closing



SLIDING DOOR HARDWARE (Door Weight 275 lbs)

SDR-A125

SLIDING & FOLDING DOOR HARDWARE

SLIDING DOOR HARDWARE (DOOR WEIGHT 275 LBS)



Type	SDR-A125	
	Standard Sliding	
Roller	Top Recessed	Top Surface
Door Weight	Max. 275 lbs (125 kg)	
Door Thickness	Min. 1-3/8" (35 mm)	
Door Width	Min. 23-5/8" (600 mm)	

- 275 lbs (125 kg)
- Ceiling mount
- Recessed and Top Surface Mounted door brackets
- Double rollers with ball bearings
- Quiet precision movement
- Low profile minimum gap of 1/8" (3 mm) Recess mount
- Vertical Adjustment
 - o Recessed mount $\pm 1/16"$ (1 mm)
 - o Surface mount $\pm 1/8"$ (2.5 mm)

■ How to order

1. Select track and track length
- 1A. Select any optional parts for track
2. Select a hardware set

Ordering Information

■ 1. Track Options

Track Type	Length	Item No.	Description
Standard Aluminum Track	118-1/8" (3000 mm)	SDR-A125-3000	
False Ceiling Aluminum Track	118-1/8" (3000 mm)	SDR-A125-12532	

■ 1A Optional Parts for Track

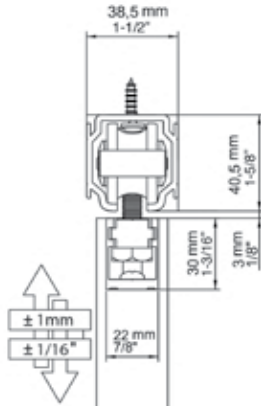
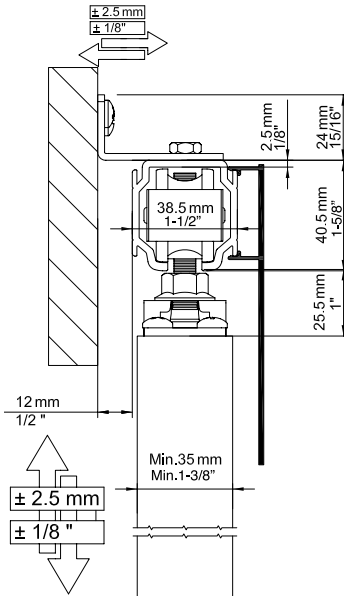
 SDR-A125-10433 Clip on Fascia	 SDR-A-6056 Clip on Bracket for Timber	 SDR-A125-12557 End Caps for Track	 SDR-A81-6961 Aluminum Separator
 SDR-A-4131 Bottom Guide Channel	 SDR-A-4140 Bottom Guide Roller	 SDR-A300-30064 Short Bracket	

■ 2. Hardware Set

Door Mount	Item No.	Set Details
Top Recessed	SDR-A125TR-PRT	 Top Recessed Roller Set
Top Surface	SDR-A125TS-PRT	 Top Surface Roller Set

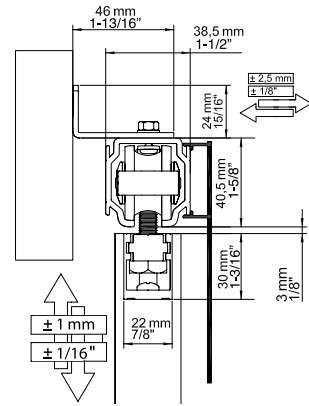
TRACK MOUNTING OPTIONS

Top Recessed (SDR-A125TR)



Ceiling Mount

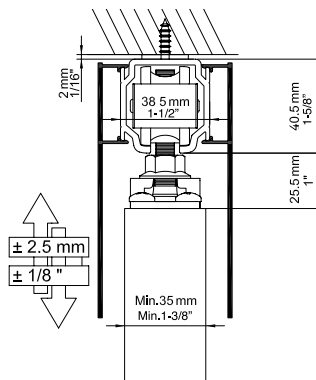
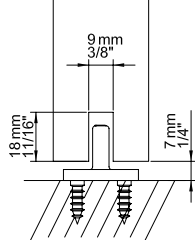
Traditional Ceiling mount option shown with recessed rollers.



Wall Mount w/ Short Bracket

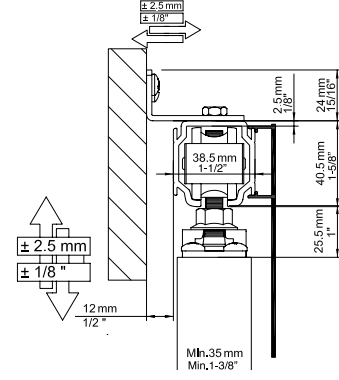
Top track short bracket for Barn Door style mounting that allows fast and simple installation.

Top Surface (SDR-A125TS)



Ceiling Mount

Traditional Ceiling mount option shown. Fascia can be mounted on both sides if needed

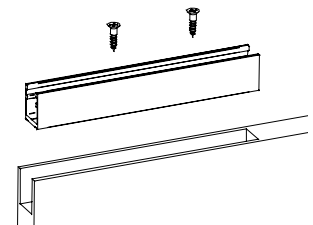
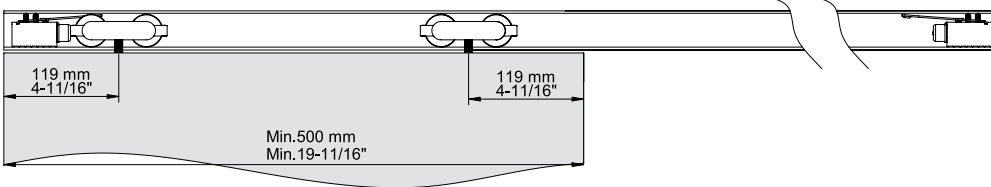


Wall Mount w/ Short Bracket

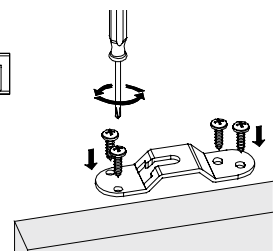
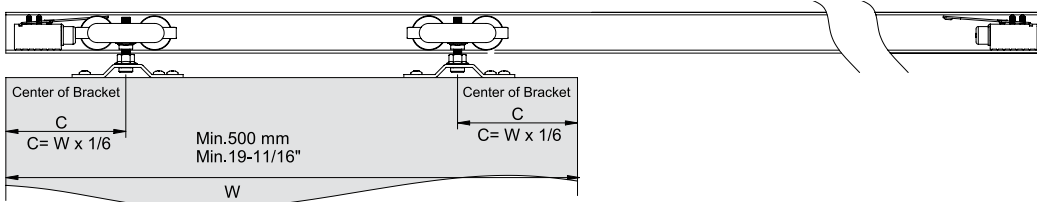
Top track short bracket for Barn Door style mounting that allows fast and simple installation.

Track Details

Top Recessed



Top Surface



SLIDING DOOR HARDWARE (Door Weight 660 lbs)

SDR-A300

SLIDING & FOLDING DOOR HARDWARE

SLIDING DOOR HARDWARE (DOOR WEIGHT 660 LBS)



Type	SDR-A300	
	Standard Sliding	
Roller	Top Recessed	Top Surfaced
Door Weight	Max. 660 lbs (300 kg)	
Door Thickness	Min. 1-3/8" (35 mm)	
Door Width	Min. 23-5/8" (600 mm)	


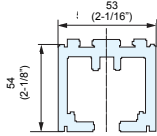




- 660 lbs (300 kg) Heavy Duty Model
- Ceiling and Barn Door Mount
- Recessed and Top Surface Mounted door brackets
- Double rollers with ball bearings
- Quiet precision movement
- Low profile minimum gap of 1/8" (3 mm) Recess Mount
- Vertical Adjustment $\pm 1/16"$ (1 mm)
 - o Recessed mount $\pm 1/4"$ (6 mm)
 - o Surface mount $\pm 1/16"$ (2 mm)

■ How to order



1. Select track and track length
 - 1A. Select any optional parts for track
2. Select a mounting type

Ordering Information

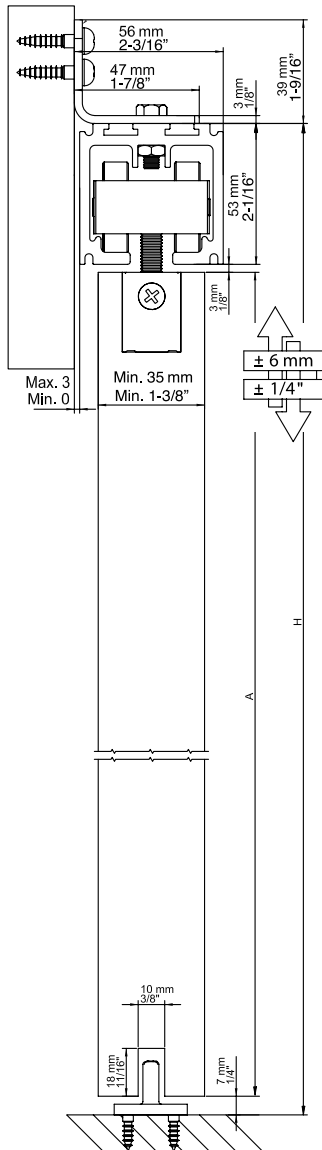
■ 1. Track Options

Track Type	Length	Item No.	Description	
Standard Aluminum Track	118-1/8" (3000 mm)	SDR-A300-3000		
■ 1A Optional Parts for Track				
 SDR-A-4131 Bottom Guide Channel	 SDR-A300-30057 End Caps for Tracks	 SDR-A-4140 Bottom Guide Roller	 SDR-A300-30064 Short Bracket	

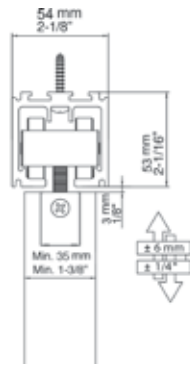
■ 2. Hardware Set

Door Mount	Item No.	Set Details
Top Recessed	SDR-A300TR-PRT	 Top Recessed Roller Set
Top Surface	SDR-A300TS-PRT	 Top Surface Roller Set

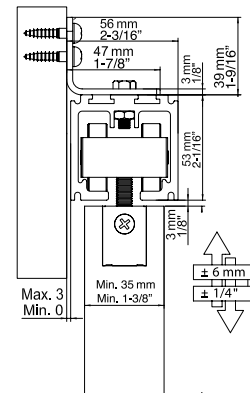
TRACK MOUNTING OPTIONS



Top Recessed (SDR-A300TR)

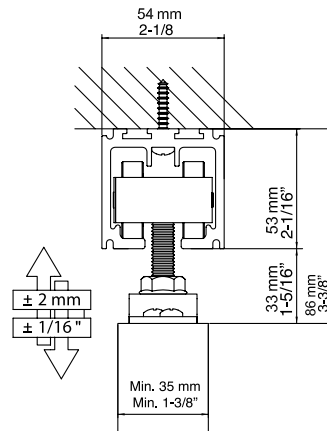


Ceiling Mount
Traditional Ceiling mount option shown with recessed rollers.

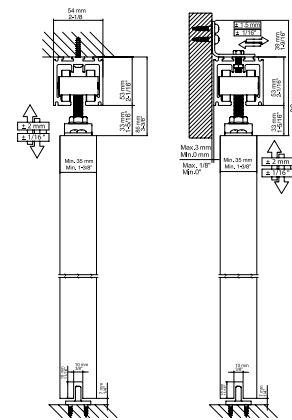


Wall Mount w/ Short Bracket
Top track short bracket for Barn Door style mounting that allows fast and simple installation.

Top Surface (SDR-A300TS)



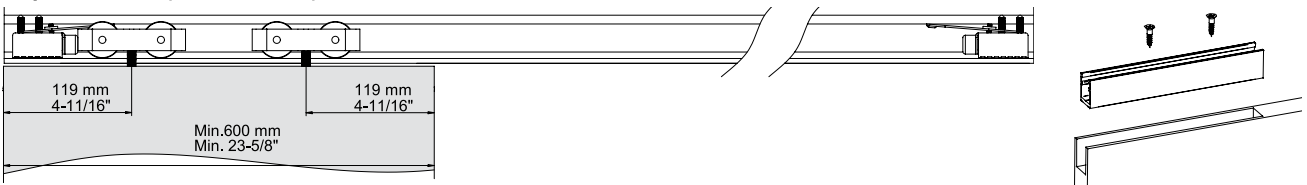
Ceiling Mount
Traditional Ceiling mount option shown. Fascia can be mounted on both sides if needed



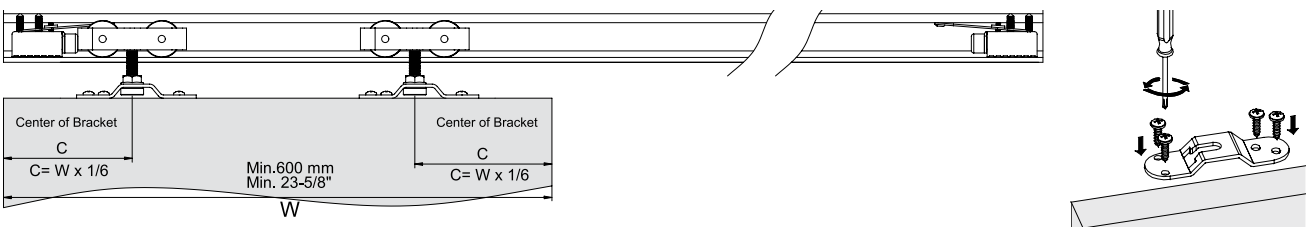
Wall Mount w/ Short Bracket
Top track short bracket for Barn Door style mounting that allows fast and simple installation.

Track Details

Top Recessed (SDR-A300TR)



Top Surface (SDR-A300TS)



SOFT-CLOSE SYNCHRONIZED SLIDING DOOR HARDWARE SDR-RA80SYN

SLIDING & FOLDING DOOR HARDWARE

SOFT-CLOSE SYNCHRONIZED SLIDING DOOR HARDWARE



Type	SDR-RA80SYN	
	Synchronized Bi-Parting	
Roller	Top Surface Mount	
Track Mounting	Ceiling	Wall w/Continuous Bracket
Door Weight	Max. 176 lbs (80 kg)	
Door Thickness	Min. 1-1/16" (27 mm)	
Door Width	40 kg door (88 lbs) Min: 28-1/8" (715 mm) Max: 59-1/16" (1500 mm)	80 kg door (176 lbs) Min: 36" (915 mm) Max: 59-1/16" (1500 mm)


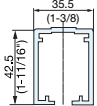
- Successfully passed 100,000 cycles test (private).
- 176 lbs (80 kg)
- Ceiling and Wall/Barn Door Mount
- Surface Mounted Door Brackets
- Double Rollers with Ball Bearings
- Quiet Precision Movement
- Soft Close Feature
- Vertical Adjustment $\pm 1/16"$ (1 mm)

■ How to order

1. Select track and track length
 - 1A. Select any optional parts for track
2. Choose a hardware set

Ordering Information



■ 1. Track Options

Track Type	Length	Item No.	Description
Standard Aluminum Track	78-3/4" (2000 mm)	SDR-RA80-2000	 
	118-1/8" (3000 mm)	SDR-RA80-3000	

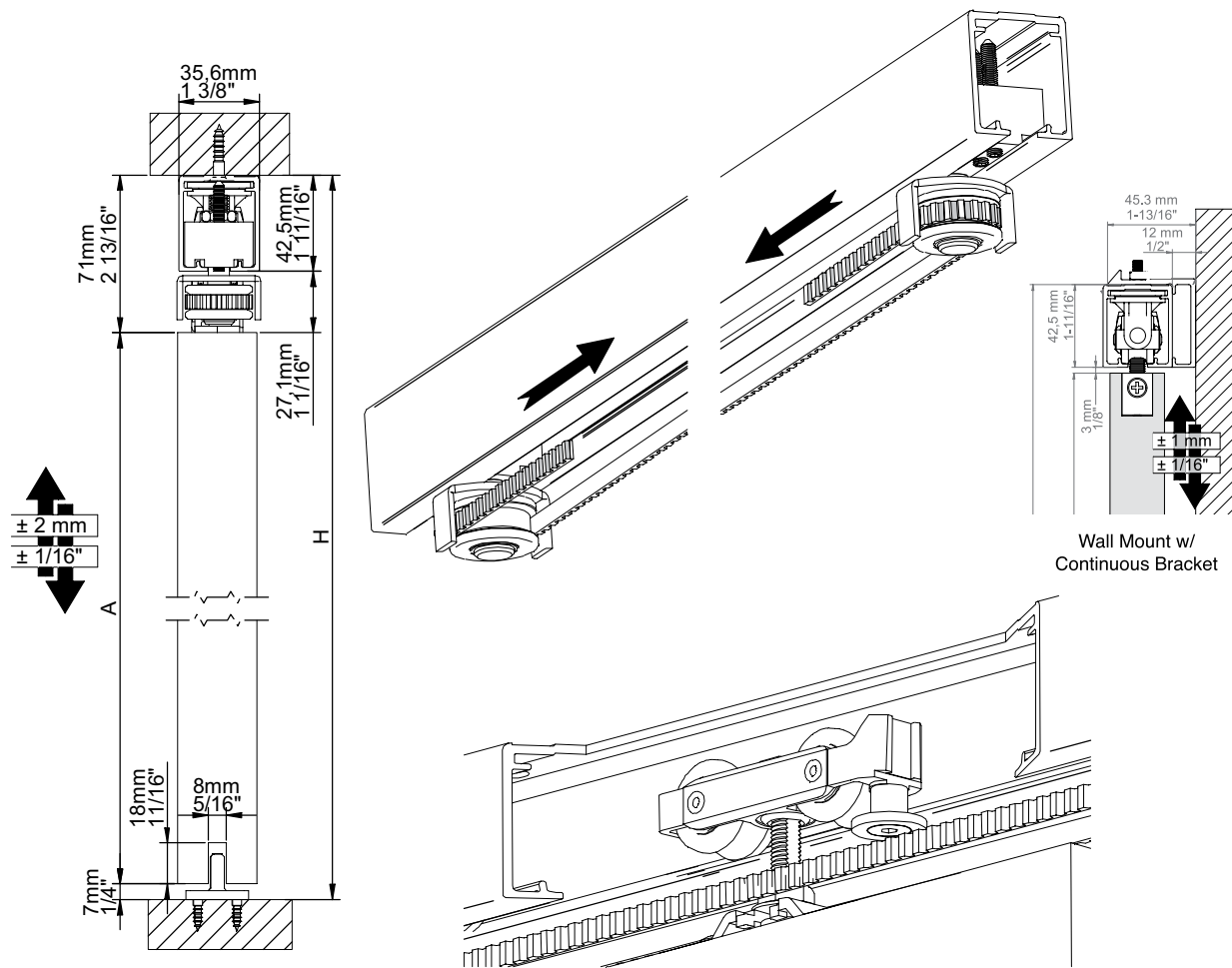
■ 1A Optional Parts for Track

 SDR-RA80WL-2000 SDR-RA80WL-3000 Wall Mount Bracket	 SDR-RA80-8083 End Cover for Track	 SDR-RA80-8085 End Cover for Track & Wall Mount Bracket
---	---	--

■ 2. Hardware Set

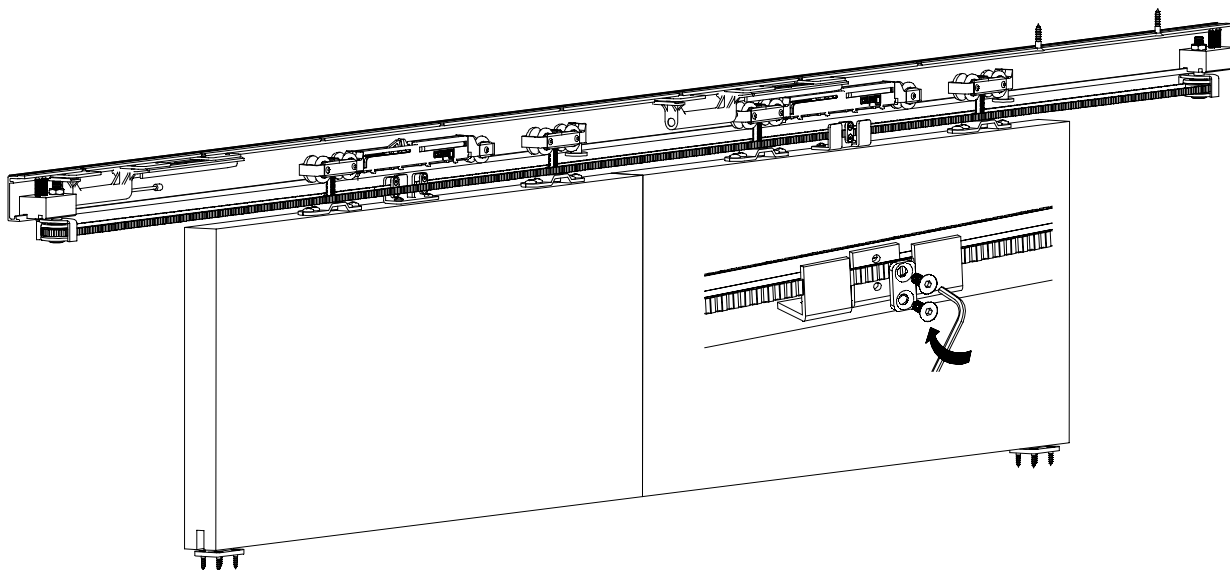
Load Rating (Per Door)	Item No.	Set Details
up to 88 lbs (40 kg)	SDR-RA80SYN-40	 Roller & Surface Door Mount Synchronized Set
up to 176 lbs (80 kg)	SDR-RA80SYN-80	 Roller & Surface Door Mount Synchronized Set

TRACK MOUNTING OPTIONS



This synchronous system allows 2 doors to open simultaneously. Can hold doors up to 88 lbs or 176 lbs., depending on the door width.

Synchronized system features an anti jump feature attached to the rollers.



SYNCHRONIZED SLIDING DOOR HARDWARE (Door Weight 275 lbs per door) **SDR-A125SYN**

SLIDING & FOLDING DOOR HARDWARE

SYNCHRONIZED SLIDING DOOR HARDWARE (DOOR WEIGHT 275 LBS PER DOOR)




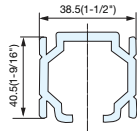
Type	SDR-A125SYN
	Bi-Parting Synchronizing
Track Mounting	Ceiling
Door Weight	Max. 275 lbs (125 kg)
Door Thickness	Min. 1-3/8" (35 mm)
Door Width	23-5/8" (600 mm) ~ 47-1/4" (1200 mm)

- 275 lbs (125 kg)
- Smooth Bi-Parting synchronized function
- Ceiling Mount
- Surface Mounted door brackets
- Double rollers with ball bearings
- Quiet precision movement
- Vertical Adjustment $\pm 1/8"$ (2.5 mm)



- How to order
1. Choose track and track length
 - 1A. Select any optional parts for track
 2. Select a hardware set

Ordering Information

■ 1. Track Options


Track Type	Length	Item No.	Description
Standard Aluminum Track	118-1/8" (3000 mm)	SDR-A125-3000	 

■ 1A Optional Parts for Track

 SDR-A-125-10433 Anodized Aluminum Fascia (3000 mm)	 SDR-A81-6061 Aluminum Separator
--	---

* If installing fascia for ceiling mount, one per each fixing point

■ 2. Hardware Set

Door Mount	Item No.	Set Details
Surface Bracket with Synchronized Bracket Set	SDR-A125SYN-KIT	 (2) SDR-A125TS-PRT + (1) SDR-A125SYN-PRT