

HINGES



DETENT/TORQUE/DAMPER
CLEAN ROOM
GLASS DOOR
CONCEALED
LIFT-OFF
BUTT

BUTT HINGES

Picture	Item No.	Max Door Weight (lbs)	Page
	LSA, LSB	13 - 66 lbs/pair	6
	LSK	-	6
	KHA	6.6 - 33 lbs	7
	D-S	-	7
	HG-BF1	-	8
	3535/SS, 4040/SS	55 lbs/pair 88 lbs/pair	8
	4545B/SS	99 lbs/pair	8
	LSF	77.2 - 187.4 lbs/pair	9
	28300, 28400	8.8 lbs/pair	9
	27800, 27900	8.8 lbs/pair	9
	28000, 28500	8.8 lbs/pair	10
	28100	8.8 lbs/pair	10
	50704, 50706	5.7 lbs/pair	10
	SYR140	-	12
	LSS	-	12
	FHS	41 - 143 lbs/pair	13
	OLYA	28 - 55 lbs/pair	13
	YHS	13.2 - 22 lbs/pair	13

SPRING HINGES

Picture	Item No.	Max Door Weight (lbs)	Page
	HG-SH (WITH SPRING)	2.2 - 15.4 lbs/pair	11
	SH	19.8 - 44.1 lbs/pair	11
	HG-BF3	-	11
	HG-SHL	8.8 - 13.2 lbs/pair	21

CLEAN ROOM HINGES

Picture	Item No.	Max Door Weight (lbs)	Page
	HG-CV127	220 lbs/pair	14
	HG-P100	22 lbs/pair	14
	HG-CV	17.6 - 28.6 lbs/pair	15
	HG-CV65N	17.6 lbs/pair	15







LIFT-OFF HINGES

Picture	Item No.	Max Door Weight (lbs)	Page
	KN	8.8 - 13.2 lbs/pair	16
	NH-40	8.8 - 13.2 lbs/pair	16
	SNR65	39.6 lbs/pair	16
	LSX-100	-	17
	HNH	-	17
	S-6166-2	88 lbs/pair	18
	S-6166-6	198 lbs/pair	18
	S-6173-2	88 lbs/pair	19
	S-6173-5	110 lbs/pair	19
	SKH	17.6 - 63.8 lbs/pair	20



FLAG HINGE

Picture	Item No.	Max Door Weight (lbs)	Page
	TS-243	61.6 - 74.8 lbs/pair	21
	HG-KM	660 - 1078 lbs/pair	22
	HG-KH	660 - 1078 lbs/pair	22













DETACHABLE HINGES

Picture	Item No.	Max Door Weight (lbs)	Page
	HG-OT 	-	23
	HG-OT 	-	23
	BN 	9.8 - 26.4 lbs/pair	20







DOUBLE ACTION HINGES

Picture	Item No.	Max Door Weight (lbs)	Page
	HG-BH 	5.7/pair	24





















PIVOT HINGES

Picture	Item No.	Max Door Weight (lbs)	Page
	HG-PV60AC 	-	24
	PP 	5.7 lbs/pair	25
	PL-60 	5.7 lbs/pair	25
	PL-65 	5.7 lbs/pair	26
	PL-100 	3.9 lbs/pair	26
	WP 	3.9 lbs/pair	26





DETENT HINGES

Picture	Item No.	Max Door Weight (lbs)	Page
	HG-FH128	88.5 lbs/pair	27
	HG-MPS2	2.2 lbs/pair	28
	HG-CSH63	Torque 15 - 22 lbs-in	29
	HG-YJ50	2.6 lbs/pair	30
	HG-YC105 	-	30

TORQUE HINGES

Picture	Item No.	Torque (lbs.in)	Page
	HG-S	6.2 - 88.7 lbs-in	31
	HG-TQJ100	0 - 88.7 lbs-in	32
	HG-T30S15	Tilt 26.5 lbs-in, Swivel 13 lbs-in	33
	HG-T70S30	Tilt 62 lbs-in, Swivel 26.6 lbs-in	34
	HG-TU 	3.1 - 6.2 lbs-in	35
	HG-TS	3.1 - 13.3 lbs-in	36
	SFTH	4.3 - 50.3 lbs-in	37
	HG-ITJ4080	35.7 - 71.3 lbs-in	38
	HG-VH8	0.19 - 3.10 lbs-in	39
	HG-IT 	21.7 - 60.8 lbs-in	40
	HG-DTA	3.55 - 7.10 lbs-in	41
	HG-DTB	3.55 - 7.10 lbs-in	41
	HG-TA	17.7 - 39.8 lbs-in	42
	HG-TB	17.7 - 39.8 lbs-in	42
	HG-TA45H	39.8 lbs-in	43
	HG-TC45H	39.8 lbs-in	43
	HG-KNT	2.5 - 13.0 lbs-in	44
	HG-MF	0.64 - 2.0 lbs-in	44

DAMPENING HINGES

Picture	Item No.	Torque (lbs.in)	Page
	HG-JHM14	4.3 - 17 lbs-in	45
	UKZ14	-	45
	HG-JH	27 - 61 lbs-in/pair	46
	HG-JH14-50	26-44 lbs-in/pair	46

Picture	Item No.	Torque (lbs.in)	Page
	HG-JHM16	17.4 - 43.4 lbs-in/pair	47
	HG-JHM9-S	0.48 - 0.77 lbs-in/pair	48
	HG-JHW16S	17 - 44 lbs-in	48
	HG-JHS9	0.24 - 0.38 lbs-in	49
	UDD	4.4 - 26.6 lbs-in	50
	UDD-BKT	-	50
	URD8-3	0.19 - 0.26 lbs-in	51
	MPH	-	51
	HG-PA180-9	79 lbs-in	52
	HG-PA210-9	79 lbs-in	52
	HG-PA200, HG-PA201	133 - 222 lbs-in	53
	HG-PA270	310 - 400 lbs-in	53
	HG-PA230, HG-PA231	133 - 222 lbs-in	54
	HG-JH210	182 lbs-in	55

GLASS DOOR HINGES

Picture	Item No.	Max Door Weight (lbs)	Page
	GH-34/0/S-P	8.8 lbs/pair	56
	GH-34/8/S-P	8.8 lbs/pair	56
	GH-34/0	8.8 lbs/pair	57
	GH-34/8	8.8 lbs/pair	57
	GH-36/NCR	8.8 lbs/pair	58
	GHC-34/8	8.8 lbs/pair	58
	GH-34-0CR-K	8.8 lbs/pair	59
	GH-34-8CR-K	8.8 lbs/pair	59
	GHC-34-8CR-K	8.8 lbs/pair	60

Picture	Item No.	Max Door Weight (lbs)	Page
	XL-GH03-48-0	26.4 lbs/pair	61
	XL-GH03-48-8	26.4 lbs/pair	61
	XL-GH01-600	24 lbs/pair	62
	XL-GH01-250	10.5 lbs/pair	62

CONCEALED HINGE

Picture	Item No.	Max Door Weight (lbs)	Page
	H95TS	-	63
	H95TM	-	64
	HT-160T	-	65
	HT-160V2	-	66
	HG-YS65C	22 lbs/pair	67
	HEAVY DUTY J95-24/0T, J95-C24/0T (WOOD)	88 lbs/3 hinges	68
	HEAVY DUTY J95-24/0T, J95-C24/0T (GLASS)	77 lbs/3 hinges	69
	HEAVY DUTY J95-24/25T, J95-C24/25T (WOOD)	88 lbs/3 hinges	70
	HEAVY DUTY J95-24/25T, J95-C24/25T (GLASS)	77 lbs/3 hinges	71
	HEAVY DUTY J95-24/16T, J95-C24/16T (WOOD)	88 lbs/3 hinges	72
	HEAVY DUTY J95-24/16T, J95-C24/16T (GLASS)	77 lbs/3 hinges	73
	HEAVY DUTY J95-P6T	-	74
	HEAVY DUTY J95ZC-GR	-	74
	HEAVY DUTY J95SC-GR	-	74
	HEAVY DUTY GH-J95FP	-	74
	304B-46/19, C46/19	75	75
	304B-46/14, C46/14	75	75
	304B-46/9, C46/9	76	76
	304B-P3A, P4A/32, P4A/32-3W	76	76

Picture	Item No.	Max Door Weight (lbs)	Page
	R SERIES	-	77
	HES3D-70	19.8 lbs/2 pcs, 26.4 lbs/3 pcs	78
	HES3D-90	26 lbs/2pcs, 35 lbs/3pcs	79
	HES3D-120	66 lbs/2pcs, 88 lbs/3pcs	80
	HES3D-E190	220 lbs/2pcs, 274 lbs/3 pcs	81
	R3D-110	158 lbs/pair	82
	RK-50	5.7 lbs/pair	83

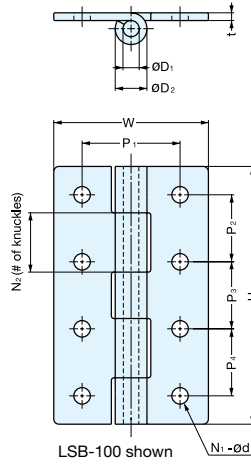
TABLETOP HINGES

Picture	Item No.	Max Door Weight (lbs)	Page
	SMH-30, 40	8.8 lbs/pair	84
	SMH-83	8.8 lbs/pair	84
	MA-5	8.8 lbs/pair	84
	SDH-001	-	85
	SDH-P	-	85
	LSD-30	-	86
	HG-MH	-	86

BUTT HINGE



LSA, LSB



• With or without screw hole versions available.

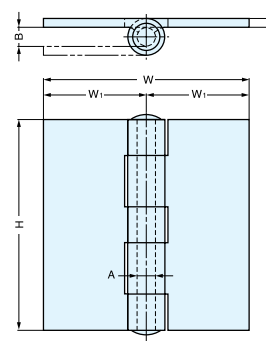
Material	Finish
304 Stainless Steel	Mirror

Item No.	Holes	H	W	P ₁	P ₂	P ₃	P ₄	t	d	D ₁	(D ₂)	N ₁	N ₂	Door Weight (kg/pair)	Weight (g)	Box (pcs)	Carton (pcs)
LSA-40	Without Holes	40 (1-37/64")	35 (1-3/8")	-	-	-	-	1.5	-	3.0	6.3	-	3	6 (13 lbs/pair)	25	20	500
LSA-50		50 (1-31/32")		-	-	-	-		-					8 (17 lbs/pair)	30		
LSA-65		65 (2-9/16")	50 (1-31/32")	-	-	-	-	2.0	-	4.5	8.8	-	5	13 (28 lbs/pair)	66	10	100
LSA-75		75 (2-61/64")		-	-	-	-		15 (33 lbs/pair)					76			
LSA-90		90 (3-35/64")	60 (2-23/64")	-	-	-	-	3.0	-	6.0	12.3	-	-	25 (55 lbs/pair)	190	10	100
LSA-100		100 (3-15/16")		-	-	-	-		30 (66 lbs/pair)					200			
LSB-40	With Holes	40 (1-37/64")	35 (1-3/8")	22	26	-	-	1.5	3.2	3.0	6.3	4	3	6 (13 lbs/pair)	25	20	500
LSB-50		50 (1-31/32")		34	-	-	4.3		8 (17 lbs/pair)					30			
LSB-65		65 (2-9/16")	50 (1-31/32")	30	23	23	-	2.0	4.5	8.8	-	6	5	13 (28 lbs/pair)	64	10	100
LSB-75		75 (2-61/64")		27	27	-	5.3		15 (33 lbs/pair)					74			
LSB-90		90 (3-35/64")	60 (2-23/64")	38	35	35	-	3.0	6.4	6.0	12.3	8	-	25 (55 lbs/pair)	180	10	100
LSB-100		100 (3-15/16")		26	26	26	6.4		30 (66 lbs/pair)					195			

STAINLESS STEEL WELD-ON BUTT HINGE



LSK



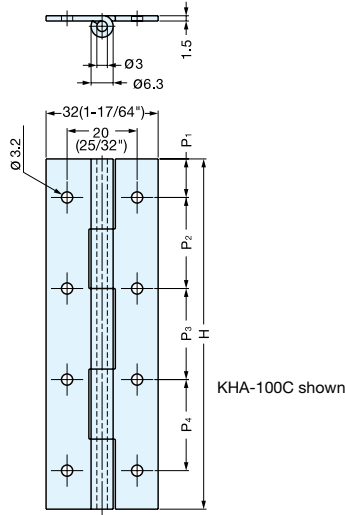
Material	Finish
304 Stainless Steel	Satin

Item No.	H	W ₁	W	A	B	t	Weight (g)	Box (pcs)	Carton (pcs)
LSK-1157-1	50.8 (2")	25.0	50 (1-31/32")	6	6	2.5	76	10	250
LSK-1157-2	63.6 (2-1/2")	32.0	64 (2-33/64")	7	7	3.0	141		150
LSK-1157-3	76.3 (3")	37.0	74 (2-29/32")				188		100
LSK-1157-4	89.0 (3-1/2")	43.5	87 (3-27/64")	8	8	4.0	257		80
LSK-1157-5	101.6 (4")	49.5	99 (3-57/64")				417	50	
LSK-1157-6	127.0 (5")	59.5	119 (4-11/16")	11	11	4.0	681	6	30
LSK-1157-7	152.0 (6")	71.5	143 (5-5/8")	12	12		928	4	20

BUTT HINGE



KHA



• Screw holes are not countersunk.

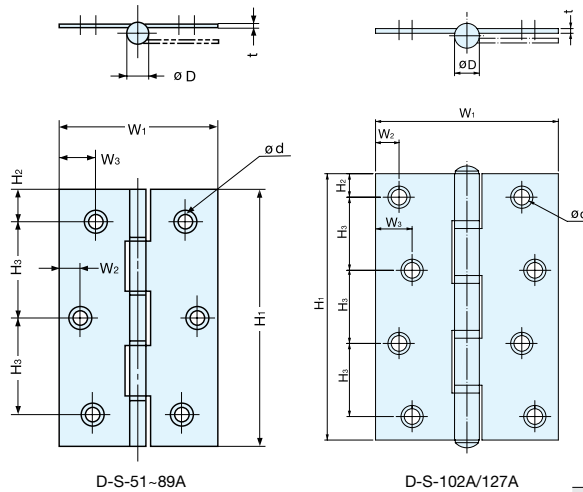
Material	Finish
304 Stainless Steel	Polished

Item No.	H	P ₁	P ₂	P ₃	P ₄	Knuckles	Weight (g)	Box (pcs)	Carton (pcs)
KHA-25C	25 (63/64")	6.0	13	-	-	3	13	200	800
KHA-30C	30 (1-3/16")	7.0	16	-	-		16		
KHA-40C	40 (1-37/64")	8.0	24	-	-		21	150	600
KHA-50C	50 (1-31/32")	10.0	30	-	-		26	100	400
KHA-60C	60 (2-23/64")	8.0	22	22	-	31			
KHA-65C	65 (2-9/16")	8.5	24	24	-	34	50	200	
KHA-75C	75 (2-61/64")	9.5	28	28	-	39			
KHA-80C	80 (3-5/32")	10.0	30	30	-	42			
KHA-90C	90 (3-35/64")		35	35	-	47			
KHA-100C	100 (3-15/16")	11.0	26	26	26	52			

BUTT HINGE



D-S



• Stainless steel hinge with polyacetal bushing.

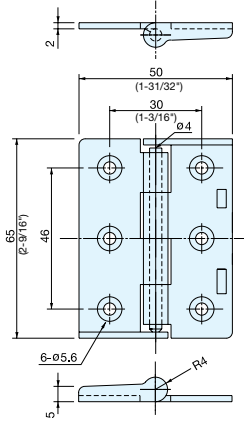
Part Name	Material	Finish
Body	304 Stainless Steel	Satin
Bushing	Polyacetal	Natural

Item No.	H ₁	H ₂	H ₃	W ₁	W ₂	W ₃	D	t	d	Knuckles	Holes	Weight (g)	Box (pcs)	Carton (pcs)		
D-S-51A	51 (2-1/64")	7.5	36	39.0 (1-17/32")	7.0	-	6.2	1.3	4.2	3	4	27.4	20	1000		
D-S-64A	64 (2-33/64")	7.0	25	42.5 (1-43/64")	8.0	6.0	6.2	1.3	5.0			36.5		800		
D-S-76A	76 (2-63/64")	9.0	29	50.0 (1-31/32")	9.0	7.0	7.4	1.5	5.2	5	6	59.5	10	480		
D-S-89A	89 (3-1/2")	10.5	34	56.5 (2-7/32")	10.5	7.5	9.0	1.7	5.4			91.6		280		
D-S-102A	102 (4-1/64")	9.0	28	70.0 (2-3/4")	9.0	14.0	9.5	1.8	6.0			8		132.5	200	
D-S-127A	127 (5")	11.0	35	82.0 (3-15/64")	10.5	16.0	11.5	1.9						231.5	6	120

BUTT HINGE



HG-BF1



- Leaf extension on edges prevents pin removal.

Item No.	Weight (g)	Box (pcs)	Carton (pcs)	Material	Finish
HG-BF1	63	20	120	304 Stainless Steel	Plain

BUTT HINGE



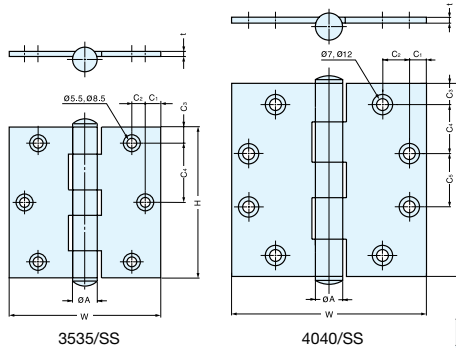
3535/SS, 4040/SS



3535/SS



4040/SS



- Door weight:
3535/SS Max. 25kg/pair (55lbs/pair)
4040/SS Max. 40kg/pair (88lbs/pair)

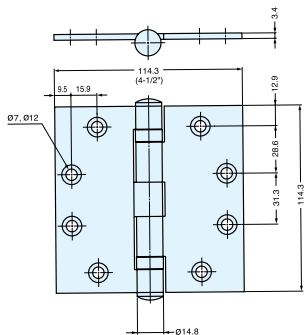
Material	Finish
304 Stainless Steel	Satin

Item No.	H	W	C ₁	C ₂	C ₃	C ₄	C ₅	A	t	Weight (g)	Box (pcs)	Carton (pcs)
3535/SS	89.0 (3-1/2")	89.0 (3-1/2")	9.1	8.0	9.1	35.4	-	14.0	3.0	145	2	100
4040/SS	101.6 (4")	101.6 (4")	9.5	9.5	13.0	25.5	24.6	14.8	3.4	195		50

BUTT HINGE (W/BALL BEARING)



4545B/SS



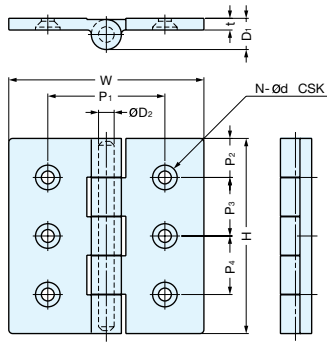
- Ball bearing provides smooth movement.
- Door weight: Max. 45kg/pair (99lbs/pair)

Item No.	Weight (g)	Box (pcs)	Carton (pcs)	Material	Finish
4545B/SS	420	2	50	304 Stainless Steel	Satin

BUTT HINGE



LSF



• 316 Stainless Steel construction ideal for harsh and highly corrosive environments.

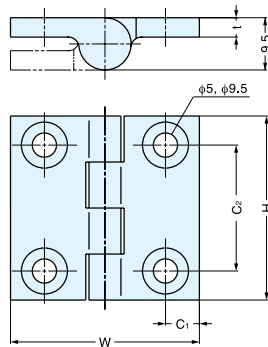
Material	Finish
316 Stainless Steel	Polished

Item No.	H	W	P ₁	P ₂	P ₃	P ₄	t	D ₁	øD ₂	Knuckles	N	d	Weight (g)	Box (pcs)	Carton (pcs)
LSF-50	50 (1-31/32")	50 (1-31/32")	35	15.0	20	-	5	14	6	3	4	ø4.4, ø8.6	110	20	100
LSF-65	65 (2-9/16")	65 (2-9/16")	40	35	-	-	5	14	6						
LSF-75	75 (2-61/64")	75 (2-61/64")	50	17.5	40	-	6	16	8	5	6	ø6.6, ø12.6	305	10	50
LSF-100	100 (3-15/16")	100 (3-15/16")	60	20.0	30	30	6	16	8						

BUTT HINGE



28300, 28400



• 316 Stainless Steel construction ideal for harsh and highly corrosive environments.
 • Door weight: Max. 4kg/pair (8.8lbs/pair)
 • Door size: Max. W450 x H700 x t21 mm (W17-3/4" x H27-9/16" x t13/16")

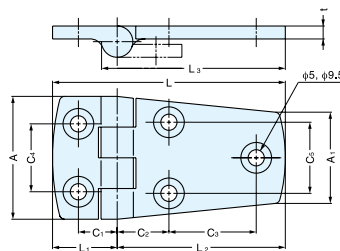
Material	Finish
316 Stainless Steel	Polished

Item No.	H	W	t	C ₁	C ₂	Weight (g)	Box (pcs)	Carton (pcs)
28300	38 (1-1/2")	39 (1-17/32")	4	7.0	26	55	20	100
28400	50 (1-31/32")	50 (1-31/32")		7.5	34	90		

BUTT HINGE



27800, 27900



• 316 Stainless Steel construction ideal for harsh and highly corrosive environments.
 • Door weight: Max. 4kg/pair (8.8lbs/pair)
 • Door size: Max. W450 x H700 x t21 mm (W17-3/4" x H27-9/16" x t13/16")

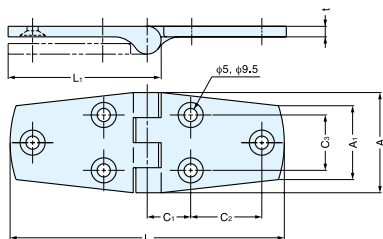
Material	Finish
316 Stainless Steel	Polished

Item No.	L	L ₁	L ₂	L ₃	C ₁	C ₂	C ₃	C ₄	C ₅	A	A ₁	t	Weight (g)	Box (pcs)	Carton (pcs)
27900	58 (2-9/32")	20 (25/32")	38 (1-1/2")	42	12	13.5	16.5	21	20	38	28	4	70	20	100
27800	72 (2-53/64")		52 (2-3/64")			57	16.0	27.0	22				21		

BUTT HINGE



28000, 28500



- 316 Stainless Steel construction ideal for exposed application.
- Door weight: Max. 4kg/pair (8.8lbs/pair)
- Door size: Max. W450 x H700 x t21 mm (W17-3/4" x H27-9/16" x t13/16")

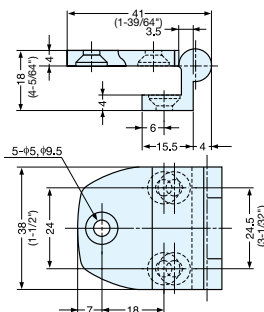
Material	Finish
316 Stainless Steel	Polished

Item No.	L	L ₁	C ₁	C ₂	C ₃	A	A ₁	t	Weight (g)	Box (pcs)	Carton (pcs)
28500	74 (2-29/32")	42 (1-21/32")	13.0	17	20	38	28	4	85	20	100
28000	104 (4-3/32")	57 (2-1/4")	16.5	27	21				115		

BUTT HINGE



28100



- 316 Stainless Steel construction ideal for exposed application.
- Door weight: Max. 4kg/pair (8.8lbs/pair)
- Door size: Max. W450 x H700 x t21 mm (W17-3/4" x H27-9/16" x t13/16")

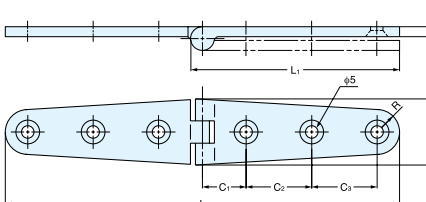
Material	Finish
316 Stainless Steel	Polished

Item No.	Weight (g)	Box (pcs)	Carton (pcs)
28100	78.5	20	100

LEAF HINGE



50704, 50706



- 316 Stainless Steel construction ideal for exposed application.
- Door weight: Max. 2.6kg/pair (5.7lbs/pair)

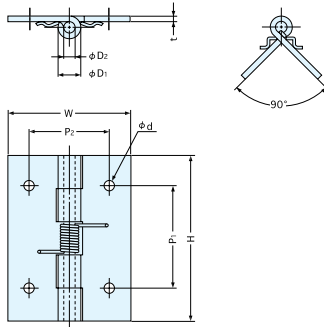
Material	Finish
316 Stainless Steel	Polished

Item No.	L	L ₁	C ₁	C ₂	C ₃	A	R	t	Holes	Weight (g)	Box (pcs)	Carton (pcs)
50704	105 (4-9/64")	57 (2-1/4")	17.5	25	-	26.5	9	4	4	75	20	100
50706	158 (6-7/32")	84 (3-5/16")	19.5		25	26.5			6	115		

BUTT HINGE (W/SPRING)



HG-SH



- Spring loaded to keep door closed.

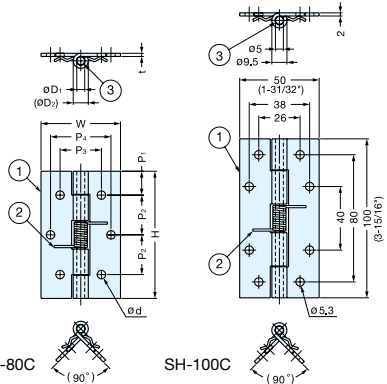
Material	Finish
304 Stainless Steel	Plain

Item No.	H	W	P ₁	P ₂	D ₁	D ₂	d	t	Torque (kgf-cm)	Load Capacity (kgf/2pcs)	Weight (g)	Box (pcs)	Carton (pcs)
HG-SH20C	20 (25/32")	14 (35/64")	-	-	2.2	1	-	0.5	0.99 (0.859 lbs-in)	1 (2.20 lbs)	5	800	3200
HG-SH25C	25 (63/64")	32 (1-17/64")	14	20	5.8	3	3.2	1.2	0.66 (0.523 lbs-in)	3 (6.61 lbs)	10	300	1200
HG-SH38C	38 (1-1/2")	32 (1-17/64")	26	25	6.5	3	3.2	1.5	1.50 (1.302 lbs-in)	6 (13.2 lbs)	20	200	800
HG-SH51C	51 (2-1/64")	38 (1-1/2")	32	25	6.5	3	3.2	1.5	1.38 (1.198 lbs-in)	7 (15.4 lbs)	35	130	520

BUTT HINGE (W/SPRING)



SH



- Spring loaded to keep door closed.

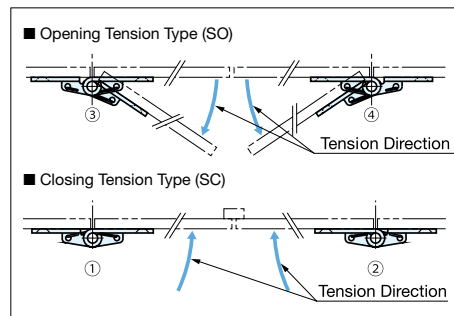
No.	Part Name	Material	Finish
①	Body	304 Stainless Steel	Polished
②	Spring		-
③	Hinge Pin		-

Item No.	H	W	t	P ₁	P ₂	P ₃	P ₄	D ₁	(D ₂)	d	Torque (kgf-cm)	Load Capacity (kgf/2pcs)	Weight (g)	Box (pcs)	Carton (pcs)
SH-60C	60 (2-23/64")	40 (1-37/64")	1.5	10	20	26	26	5	8.5	4.3	2.83 (2.456 lbs-in)	9 (19.8 lbs)	44	120	1200
SH-80C	80 (3-5/32")	50 (1-31/32")	2.0	15	25	38	38	5	9.5	5.3	3.34 (2.899 lbs-in)	16 (35.3 lbs)	86	80	800
SH-100C	-	-	-	-	-	-	-	-	-	-	9.96 (8.645 lbs-in)	20 (44.1 lbs)	110	100	1000

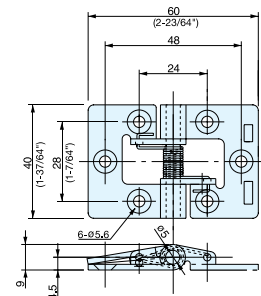
BUTT HINGE (W/SPRING)



HG-BF3



- Spring loaded to keep down closed or open.
- 304 stainless steel spring loaded hinges.
- Spring loaded to open or closed versions available.



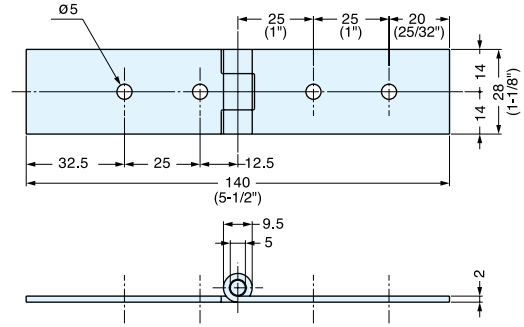
Item No.		Tension Direction	Load Capacity (kgf/2pcs)	Weight (g)	Box (pcs)	Carton (pcs)
Left	Right					
HG-BF3-2L-SO	HG-BF3-2R-SO	Opening Tension	7 (15.4 lbs)	41	20	120
HG-BF3-2L-SC	HG-BF3-2R-SC	Closing Tension				

Material	Finish
304 Stainless Steel	Plain

BUTT HINGE



SYR140



Item No.	Material	Load Capacity (kgf/2pcs)
SYR140	304 Stainless Steel	7 (15.4 lbs)

BUTT HINGE



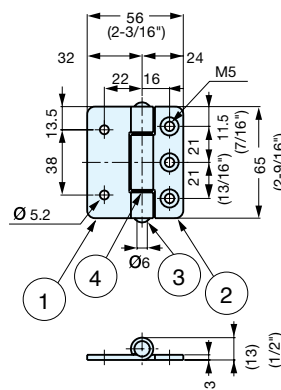
LSS



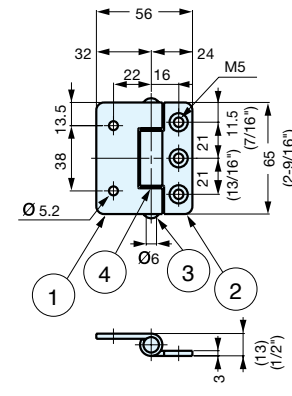
LSS-H-N65



LSS-Z-A65



LSS-H-N65 Standard



LSS-Z-N65 Reverse

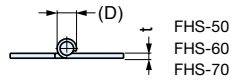
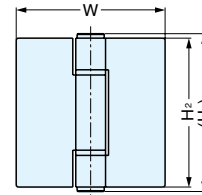
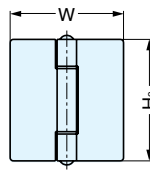
Item No.	Screw Hole	Assembly	Load Capacity (kgf / 2pcs)
LSS-H-A65	Without	Standard	25 (55 lbs)
LSS-H-N65	With	Standard	
LSS-Z-A65	Without	Reverse	
LSS-Z-N65	With	Reverse	

No.	Part Name	Material
①	Hinge Leaf	304 Stainless Steel
②	Hinge Leaf	
③	Pin	
④	Washer	

BUTT HINGE (WELD ON, HEAVY DUTY)



FHS

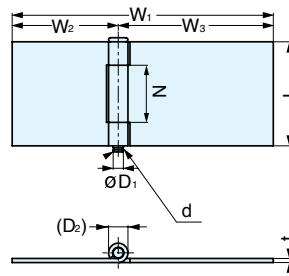


Item No.	Material	Load Capacity (kgf/2pcs)	H ₁	H ₂	W	D	t	Weight (g)	Box (pcs)
FHS-50	304 Stainless Steel	19 (41.8 lbs)	-	50 (1-31/32")	50 (1-31/32")	12	3	90	12
FHS-60		23 (50.6 lbs)		60 (2-23/64")	64 (2-33/64")			130	12
FHS-75		28 (61.6 lbs)		75 (2-61/64")	70 (2-3/4")			170	12
FHS-100		50 (110.0 lbs)	110	100 (3-15/16")	100 (3-15/16")	20	4	520	40
FHS-125		58 (127.6 lbs)	135	125 (4-59/64")	125 (4-59/64")			635	30
FHS-150		65 (143.0 lbs)	160	150 (5-29/32")	120 (4-23/32")			850	25

BUTT HINGE (WELD ON, REMOVABLE PIN)



OLYA



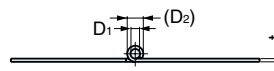
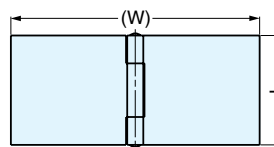
• Removable pin.

Item No.	Load Capacity (kgf/2pcs)	L	W ₁	W ₂	W ₃	t	d	D ₁	D ₂	N	Weight (g)
OLYA-128S	13 (28.6 lbs)	51 (2-1/64")	128 (5-3/64")	52 (2-3/64")	76 (2-63/64")	2	4	5	9.5	3	120
OLYA-185S	25 (55.0 lbs)	65 (2-9/16")	185 (7-9/32")	30 (1-3/16")	155 (6-7/64")	3	5	6	12.5	5	330

BUTT HINGE (WELD ON)



YHS

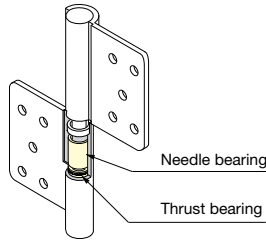
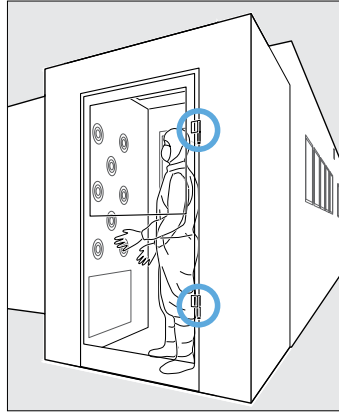


Item No.	Load Capacity (kgf/2pcs)	L	W	t	D ₁	D ₂	Weight (g)
YHS-32	6 (13.2 lbs)	32 (1-17/64")	90 (3-35/64")	1.5 (1/16")	3.5 (9/64")	7.0 (9/32")	45
YHS-38	23 (13.2 lbs)	38 (1-1/2")	82 (3-15/64")	1.2 (3/64")	3.0 (3/64")	5.6 (7/32")	35
YHS-51	28 (22.0 lbs)	51 (2-1/64)	116 (4-9/16")	1.5 (1/16")	4.0 (5/32")	7.2 (9/32")	85

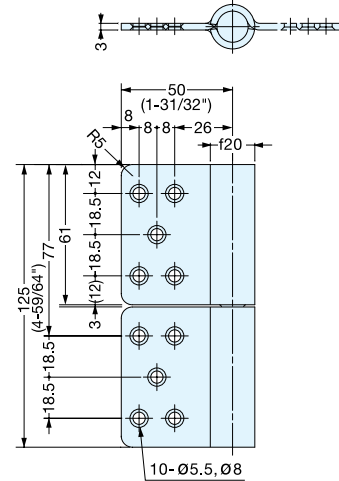
HEAVY DUTY CLEAN ROOM HINGE



HG-CV127



- No metal-to-metal contact.
- Special bearings minimize particles.
- Successfully passed 200,000 cycle test at the following door size.
 - Door Weight: MAX.100 kg/pair (220 lbs/pair)
 - Door Height: MAX.2,000 mm (78-3/4")
 - Door Width: MAX.900 mm (35-7/16")



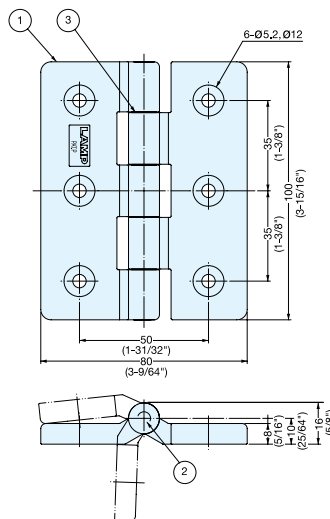
Item No.		Weight (g)	Box (pcs)	Carton (pcs)
Left	Right			
GH-CV127/L	GH-CV127/R	388	5	50

Material	Finish
304 Stainless Steel	Satin

CLEAN ROOM HINGE



HG-P100



- Hinge leaves made with PVC material:
 - Ideal for semiconductor manufacturing machinery and transparent applications.
 - Weather and chemical resistant.
- Environmentally friendly - Lead free.
- Titanium pin

Item No.	Weight (g)	Box (pcs)	Carton (pcs)	Load Capacity (kgf / 2pcs)
HG-P100	74	30	240	10 (22lbs)

Material	Finish
Body	PVC
Hinge Pin	Titanium

CLEAN ROOM HINGE (W/BUSHING)



HG-CV

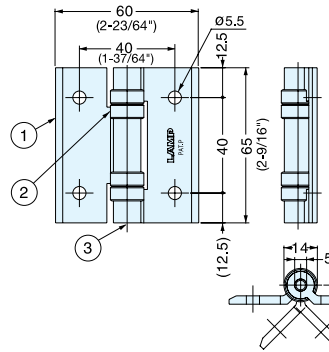


HG-CV65

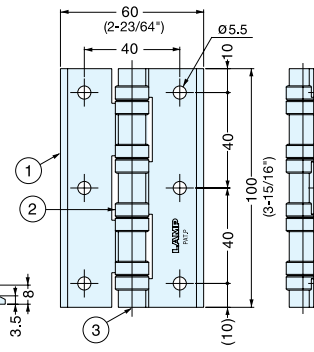
HG-CV100

- No metal-to-metal contact.
- Polyacetal bushings minimize particles.
- Ideal for cleanroom application.
- Door weight:
HG-CV- 65 Max. 8 kg/pair (17.6 lbs/pair)
HG-CV-100 Max. 13 kg/pair (28.6 lbs/pair)
- Door size: Max. W600xH700
(W23-5/8"xH27-9/16")

HG-CV65



HG-CV100



Item No.	Weight (g)	Box (pcs)	Carton (pcs)
HG-CV65	60	20	240
HG-CV100	100		160

No.	Part Name	Material	Finish
①	Body	Aluminum	Anodized
②	Bushing	Polyacetal	White
③	Hinge Pin	303 Stainless Steel	-

CLEAN ROOM HINGE (W/BUSHING)

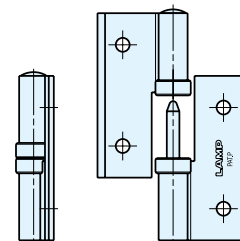
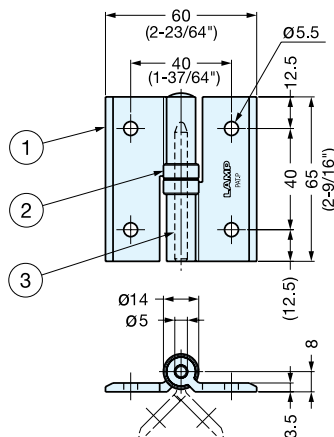


HG-CV65N



Left-Hand Opening

- No metal-to-metal contact.
- Polyacetal bushings minimize particles.
- Ideal for cleanroom application.
- Door weight: Max 8kg/pair



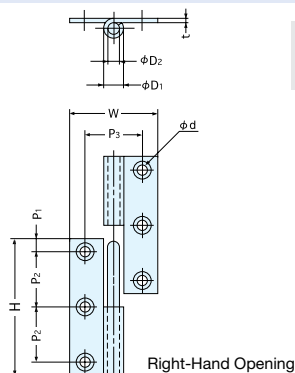
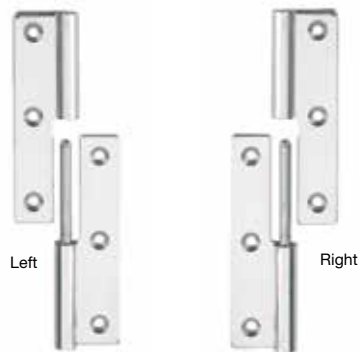
Item No.	Type	Weight (g)	Box (pcs)	Carton (pcs)
HG-CV65NR	Right Hand	48	20	200
HG-CV65NL	Left Hand			

No.	Part Name	Material	Finish
①	Body	Aluminum	Anodized
②	Bushing	Polyacetal	White
③	Hinge Pin	303 Stainless Steel	-

LIFT-OFF HINGE



KN



- Handed: Specific left and right hand mounting.
- Load capacity: 4~6 kg/Pair (8.8-13.2lbs/pair)

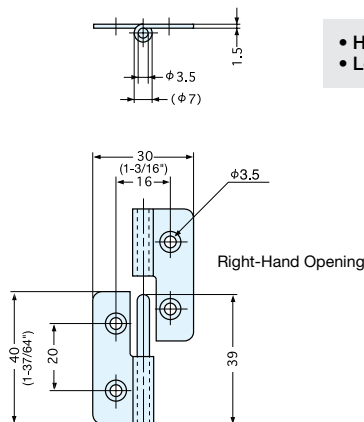
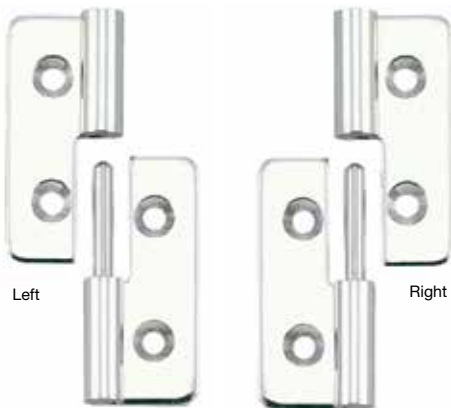
Material	Finish
304 Stainless Steel	Polished

Item No.		H	W	P1	P2	P3	D1	D2	d	t	Weight (g)	Box (pcs)	Carton (pcs)
Left	Right												
KN-50L/SS	KN-50R/SS	50 (1-31/32")	32 (1-17/64")	5.0	20	21	7.5	4	3.2	1.5	32	100	400
KN-64L/SS	KN-64R/SS	64 (2-33/64")	36 (1-27/64")	8.0	24	24							
KN-75L/SS	KN-75R/SS	75 (2-61/64")	38 (1-1/2")	7.5	30		8.5			2.0	64	50	200

LIFT-OFF HINGE



NH-40



- Handed: Specific left and right hand mounting.
- Load capacity: 4~6 kg/Pair (8.8-13.2lbs/pair)

Item No.		t	Weight (g)	Box (pcs)	Carton (pcs)	Material	Finish
Left	Right						
NH-40L/SS	NH-40R/SS	1.5	21	150	600	304 Stainless Steel	Polished

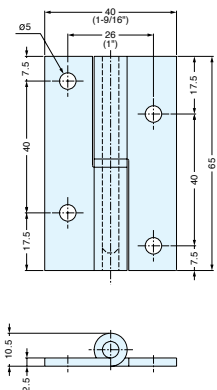
LIFT-OFF HINGE



SNR65



SNR65



- Handed: Specific left and right hand mounting.

Item No.		Material	Load Capacity (kgf/2pcs)	Weight (g)	Box (pcs)
Left	Right				
SNR65L	SNR65R	304 Stainless Steel	18 (39.6 lbs)	76	200

LIFT-OFF HINGE

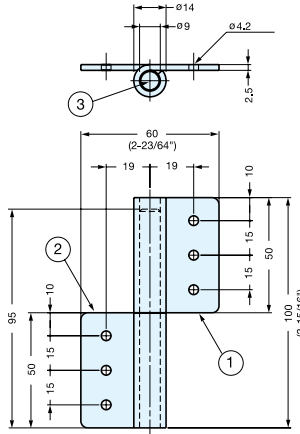


LSX-100

- Handed: Specific left and right hand mounting.



Right-Hand Opening



Item No.		Weight (g)	Box (pcs)	Carton (pcs)
Left	Right			
LSX-100L	LSX-100R	170	10	50

No.	Part Name	Material	Finish
①	Body A	304 Stainless Steel	Mirror
②	Body B		-
③	Shaft		

LIFT-OFF HINGE (WELD-ON)

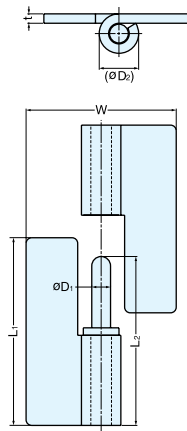


HNH

- Weld-on type lift-off hinge.
- Handed: Specific left and right hand mounting.



Right-Hand Opening



Material	Finish
304 Stainless Steel	Mirror

Item No.		L_1	L_2	W	D_1	(D_2)	t	Weight (g)	Box (pcs)	Carton (pcs)
Left	Right									
HNH-50CL	HNH-50CR	50 (1-31/32")	45	40 (1-37/64")	5	10.5	2.5	62	30	240
HNH-65CL	HNH-65CR	65 (2-9/16")	60	50 (1-31/32")	5	10.5	2.5	95	20	160
HNH-75CL	HNH-75CR	75 (2-61/64")	70	70 (2-3/4")	6	12.0	3.0	180	10	80
HNH-100CL	HNH-100CR	100 (3-15/16")	90	82 (3-15/64")	8	16.0	4.0	335	5	40

LIFT-OFF HINGE (WELD-ON)



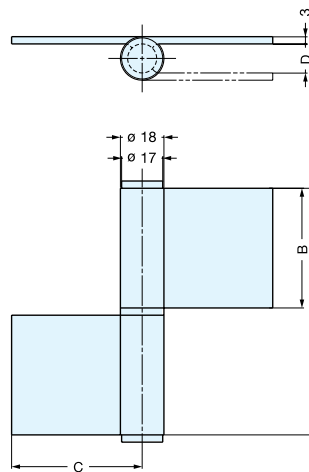
S-6166-2



Right

Left

- Weld-on type stainless steel lift-off hinge.
- Handed: Specific left and right hand mounting.
- Door weight: Max. 40 kg/pair (88 lbs/pair)



Material	Finish
304 Stainless Steel	Satin

Item No.		A	B	C	D	Weight (g)	Box (pcs)	Carton (pcs)
Left	Right							
S-6166-2-L	S-6166-2-R	102 (4-1/64")	49.5 (1-61/64")	55 (2-5/32")	12 (15/32")	300	12	60

LIFT-OFF HINGE (WELD-ON)



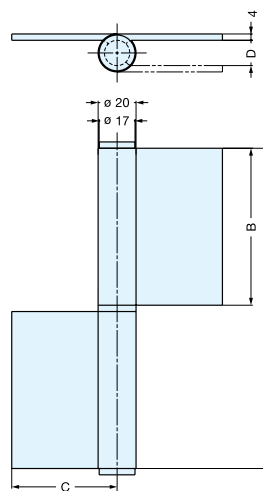
S-6166-6



Right

Left

- Weld-on type stainless steel lift-off hinge.
- Handed: Specific left and right hand mounting.
- Door weight: Max. 90 kg/pair (198 lbs/pair)



Material	Finish
304 Stainless Steel	Satin

Item No.		A	B	C	D	Weight (g)	Box (pcs)	Carton (pcs)
Left	Right							
S-6166-6-L	S-6166-6-R	152 (5-63/64")	74.5 (2-15/16")	55 (2-5/32")	12 (15/32")	570	8	40

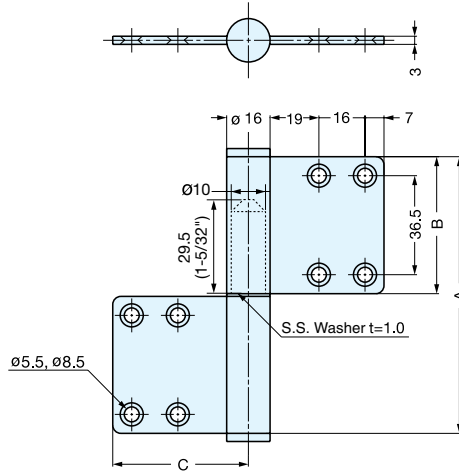
LIFT-OFF HINGE



S-6173-2



- Screw hole is countersunk from both sides.
- Non-Handed: Can be installed on left or right side.
- Door weight: Max. 40 kg/pair (88 lbs/pair)



Material	Finish
304 Stainless Steel	Satin

Item No.	A	B	C	Weight (g)	Box (pcs)	Carton (pcs)
S-6173-2	102 (4-1/64")	50.5 (1-63/64")	50 (1-31/32")	240	12	60

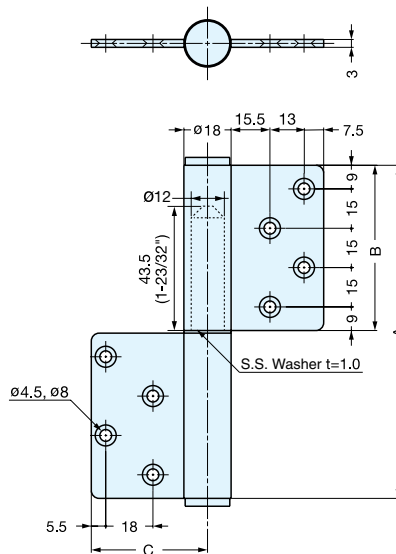
LIFT-OFF HINGE



S-6173-5



- Screw hole is countersunk from both sides.
- Non-Handed: Can be installed on left or right side.
- Door weight: Max. 50 kg/pair (110 lbs/pair)



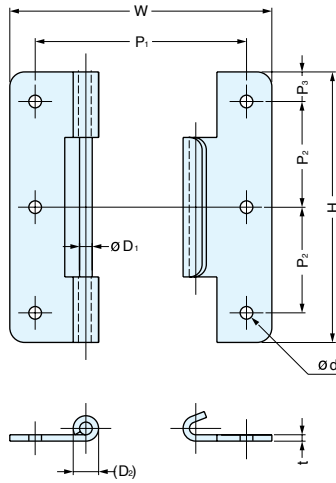
Material	Finish
304 Stainless Steel	Satin

Item No.	A	B	C	Weight (g)	Box (pcs)	Carton (pcs)
S-6173-5	127 (5")	63 (2-31/64")	45 (1-25/32")	330	8	40

DETACHABLE HINGE



BN



- For use with trunk style boxes, scientific equipment, measuring devices, etc.
- Hinge leaves can be separated.

HINGES

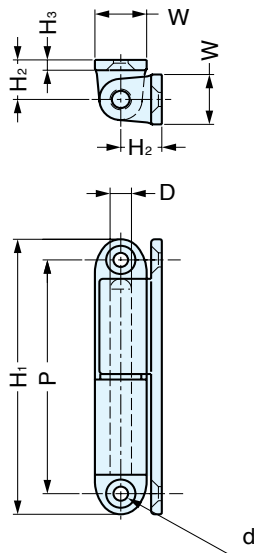
DETACHABLE HINGE / LIFT-OFF HINGE

Item No.	H	W	P ₁	P ₂	P ₃	d	D ₁	D ₂	t	N	Weight (g)	Box (pcs)	Material	Load Capacity (kgf/2pcs)
BN-50S	50 (1-31/32")	30 (1-3/16")	20 (25/32")	20	5	3	3	6	1.5	6	6	200	304 Stainless Steel	12 (26.4 lbs)
BN-64S	64 (2-33/64")	36 (1-27/64")	24 (15/16")	25	7						8	150		9 (19.8 lbs)

LIFT-OFF HINGE



SKH



- Non Handed: can be installed on left or right side.

Item No.	H ₁	H ₂	H ₃	W	P	D	d	Weight (g)	Box (pcs)	Material	Load Capacity (kgf/2pcs)
SKH-51S	51 (2-1/64")	8.0	2.5	11.0 (7/16")	40 (1-37/64")	4	M3	30	30	304 Stainless Steel	8 (17.6 lbs)
SKH-60S	60 (2-23/64")	9.5	3.0	13.0 (33/64")	48 (1-57/64")	5	M4	50	30		12 (26.4 lbs)
SKH-80S	80 (3-5/32")	11.5	14.5	14.5 (37/64")	68 (2-43/64")	6		95	20		29 (63.8 lbs)

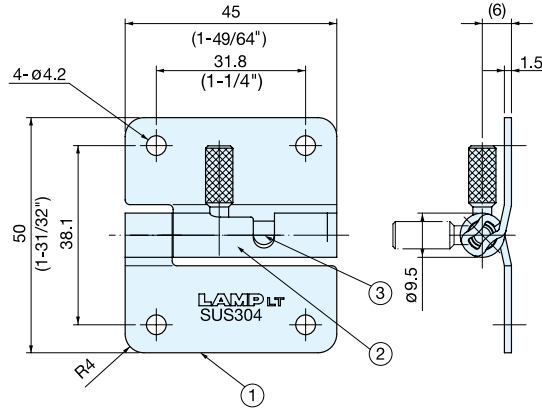
QUICK RELEASE HINGE (HANDED)



HG-OT



- Easy and quick to install/remove doors.
- With or without holes available.
- Non-Handed: Can be installed on left or right side.



HG-OTA45L

Item No.		Holes	Weight (g)	Box (pcs)	No.	Part Name	Material	Finish
Left	Right							
HG-OTA45L	HG-OTA45R	With screw holes	40	30	①	Plate	304 Stainless Steel	Satin
HG-OTB45L	HG-OTB45R	Without screw holes			②	Spring		
					③	Hinge Pin	303 Stainless Steel	

QUICK RELEASE HINGE

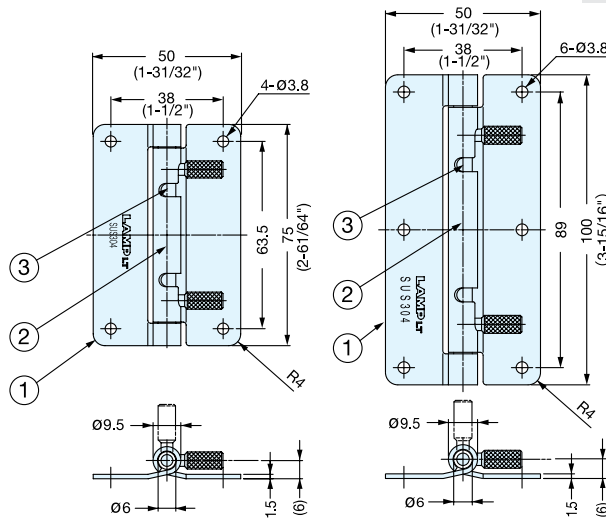


HG-OT



HG-OTB shown

- Easy and quick to install/remove doors.
- With or without holes available.



HG-OTA75

HG-OTA100

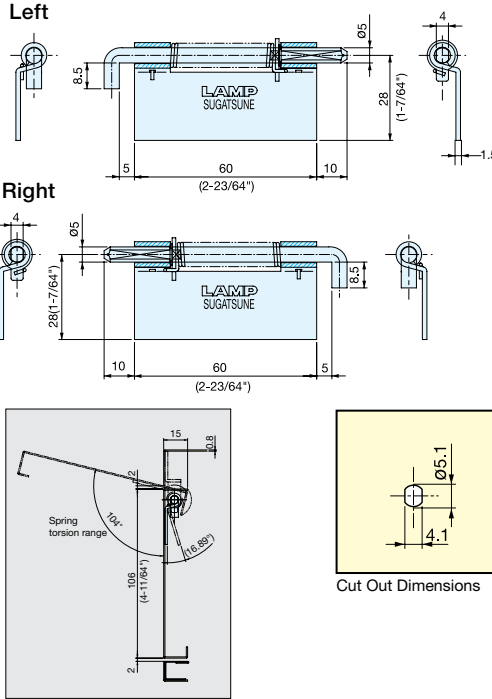


Item No.	Holes	Weight (g)	Box (pcs)	Carton (pcs)	No.	Part Name	Material	Finish
HG-OTA75	With screw holes	65	40	160	①	Plate	304 Stainless Steel	Satin
HG-OTB75	Without screw holes				②	Spring		
HG-OTA100	With screw holes	80	30	120	③	Hinge Pin	303 Stainless Steel	
HG-OTB100	Without screw holes							

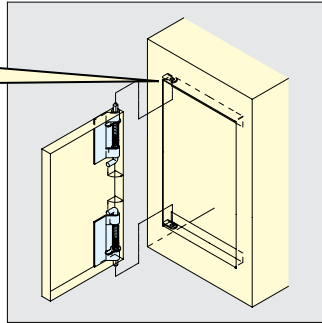
SPRING LOADED PIVOT HINGE (WELDABLE)



HG-PV60AC



- Spring loaded for self closing.
- Lift pin for easy door installation and removal.
- Torsion moment (Hinge closed): 0.76 kgf-cm (0.66 lb-in) per piece



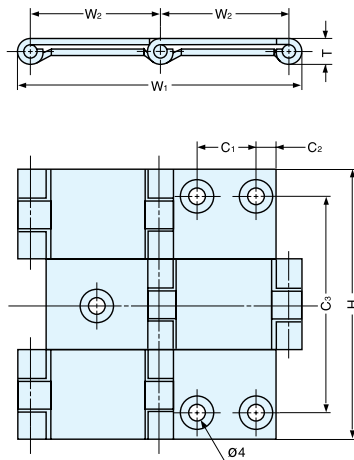
Item No.	Weight (g)	Box (pcs)	Carton (pcs)
HG-PV60AC-L	38	50	200
HG-PV60AC-R			

Material	Finish
304 Stainless Steel	Plain

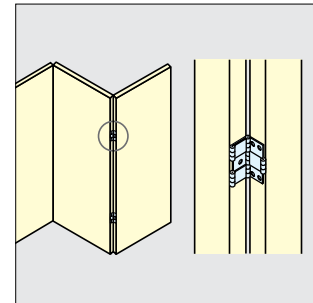
DOUBLE ACTION HINGE



HG-BH



- Opens 180° in both left and right direction.
- Door Size: Max. W450 x H700 (W17-23/32" x H27-9/16")
- Door weight: Max. 2.6 kg/pair (5.7 lbs/pair).



Material	Finish
304 Stainless Steel	Satin

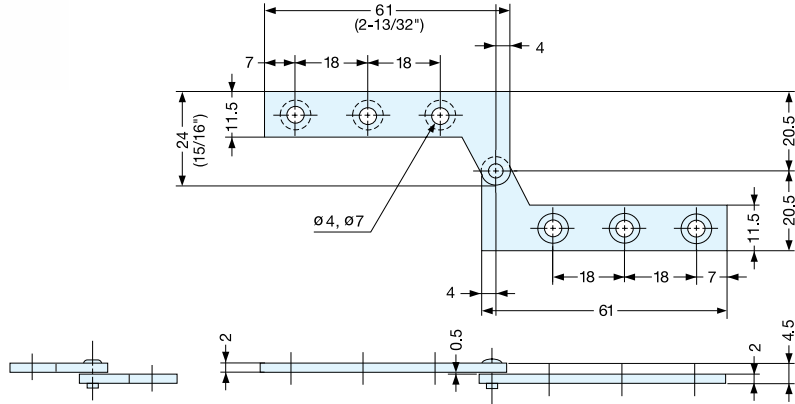
Item No.	W ₁	W ₂	T	H	C ₁	C ₂	C ₃	Weight (g)	Box (pcs)	Carton (pcs)
HG-BH60	64 (2-33/64")	29.0 (1-9/64")	5.5	60 (2-23/64")	13.5 (17/32")	4.8	47	65	20	260
HG-BH70	78 (3-5/64")	35.0 (1-3/8")	7.5	70 (2-3/4")		6.8	57	130		
HG-BH80	94 (3-5/32")	43.2 (1-45/64")		80 (3-5/32")	22.0 (55/64")	6.5	66	175	10	120

INSET DOOR PIVOT HINGE



PP

- Door Size: Max. W450 x H700 x t21mm (W17-23/32" x H27-9/16" x t53/64")
- Door weight: Max. 2.6 kg/pair (5.7 lbs/pair)



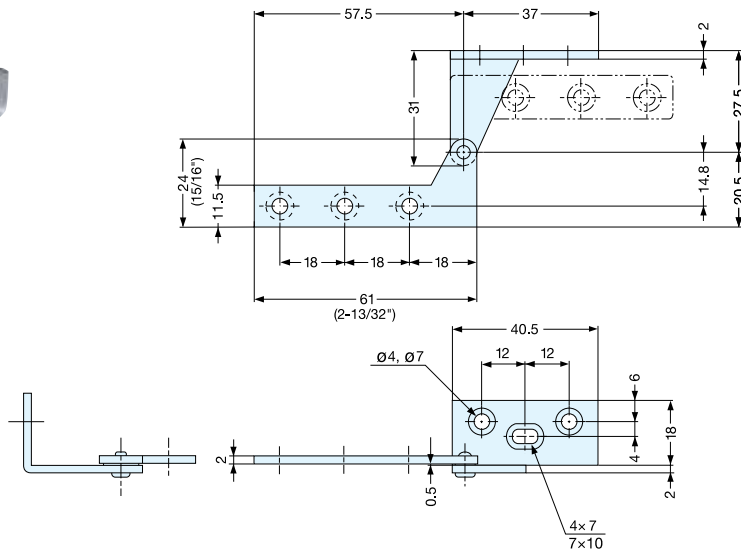
Item No.		Weight (g)	Box (pcs)	Carton (pcs)	Material	Finish
Left	Right					
PP-L	PP-R	22	100	1000	430 Stainless Steel	Plain

OVERLAY DOOR PIVOT HINGE



PL-60

- Door Size: Max. W450 x H700mm (W17-23/32" x H27-9/16")
- Door weight: Max. 2.6 kg/pair (5.7 lbs/pair)



Item No.		Weight (g)	Box (pcs)	Carton (pcs)	Material	Finish
Left	Right					
PL-60L	PL-60R	27	100	1000	430 Stainless Steel	Plain

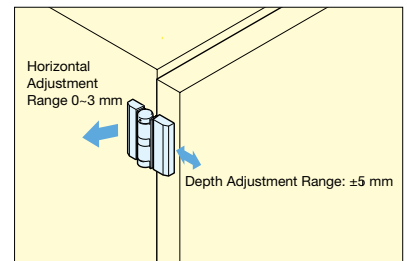
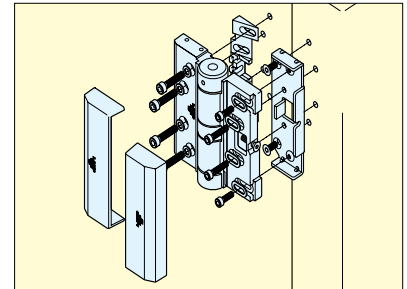
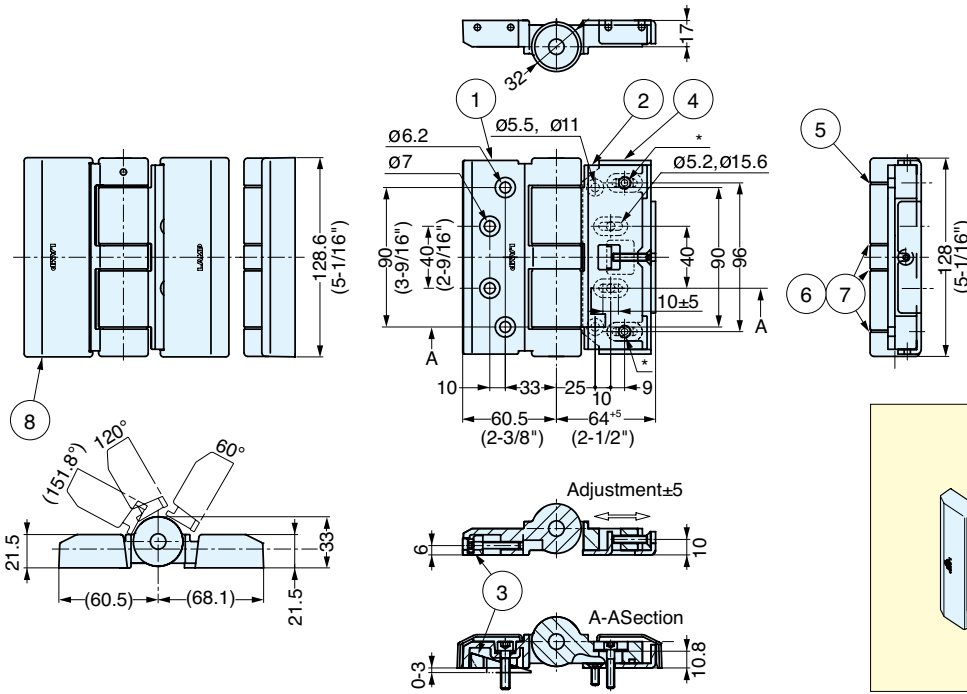
DETENT HINGE



HG-FH128



- Ideal for doors which need to be compressed.
- Horizontally adjustable for better compression.
- Holds doors at 60° and 120°
Max. Open: 152°
- Plastic washer provides smooth movement.
- Recommended door specification:
Width: 600~900 mm (24~36")
Height: 900~1200 mm (36~48")
Weight: maximum 40 kg (88 lbs) for 2 hinges
- Retaining Force: 102 kgf-cm (88.5 lbs-in)



Partial

Wide



No.	Part Name	Material	Finish
①	Body A	Zinc Alloy	Satin Nickel
②	Body B		Nickel
③	Bracket A	304 Stainless Steel	Polished
④	Bracket B		
⑥	Washer	PFTE, Polyacetal, Polyacetal	-
⑦			
⑧	Cover	AES Plastic	Silver

Item No.	Door Weight (kg / 2 pcs)	Detent Torque (kgf-cm)	Weight (g)	Box (pcs)	Carton (ps)
HG-FH128	Max. 40 (88 lbs)	102 (88.5 lbs-in)	1,500	2	10

DETENT HINGE



HG-MPS2



White

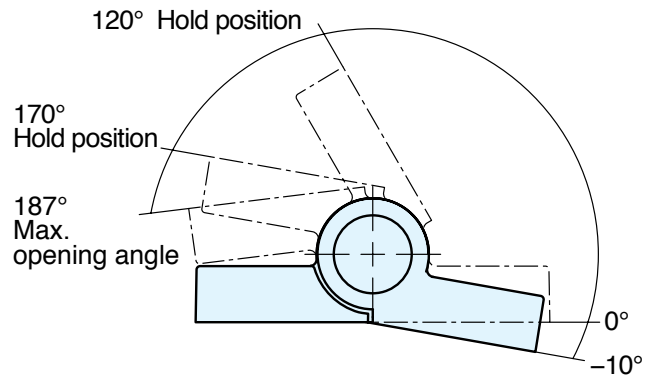
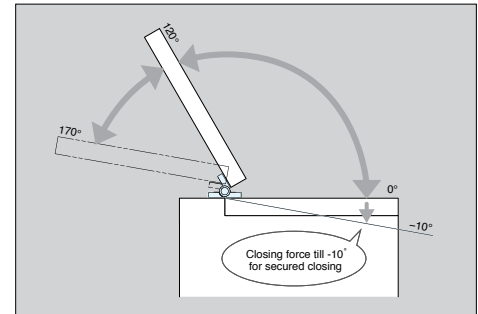
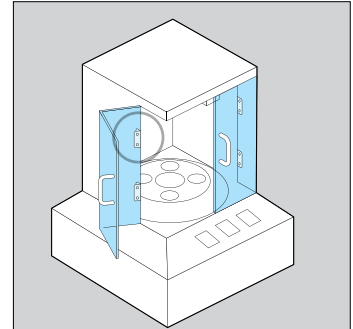
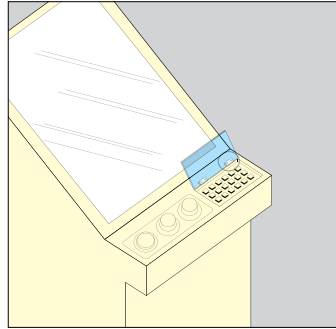
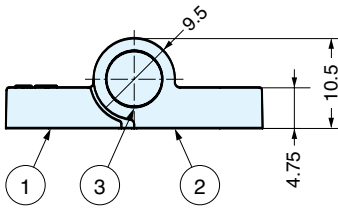
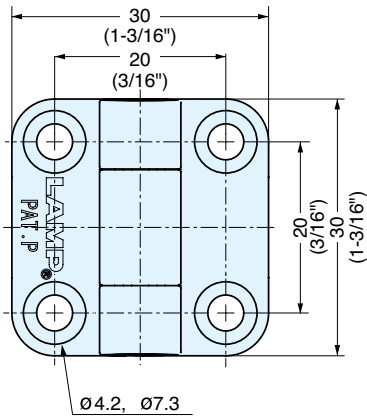


Black

- Plastic hinge holds doors at 3 different positions (-10°, 120°, 170°).
- Door weight: Max 1.0kg/pair (2.2lbs/pair).
- Ideal for small equipment with light weight doors such as measuring devices, medical equipment, etc.
- Additional stopper recommended at 0° and 170°.

HINGES

DETENT HINGES



Item No.	Weight (g)	Box (pcs)	Carton (pcs)
HG-MPS2-BL	6.9	20	200
HG-MPS2-WT			

No.	Part Name	Material	Finish/Color
①	Body A	PBT	White/Black
②	Body B		
③	Cap	ABS	

DETENT HINGE (WITH or WITHOUT DAMPER)



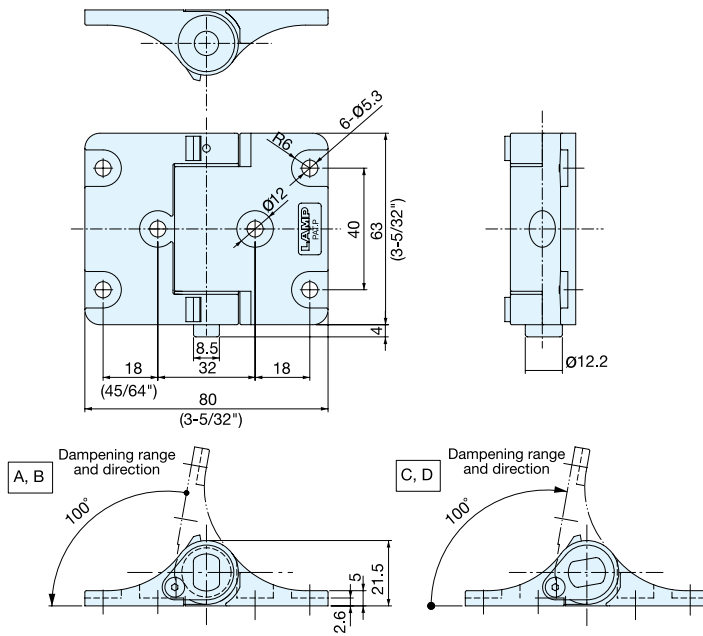
HG-CSH63



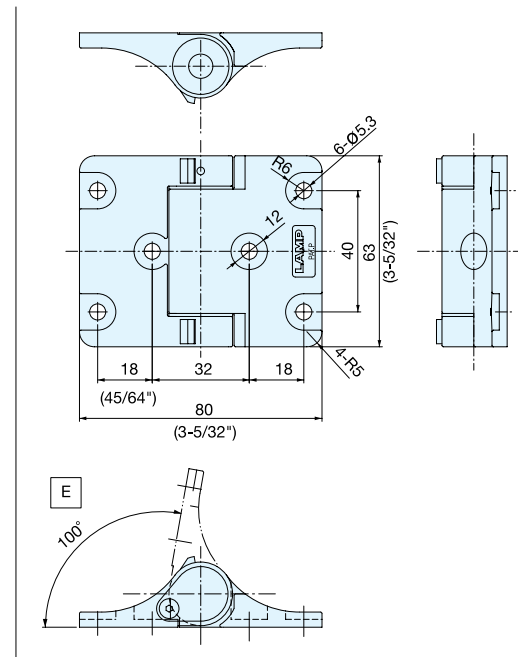
(W/Damper)

(W/Detent only)

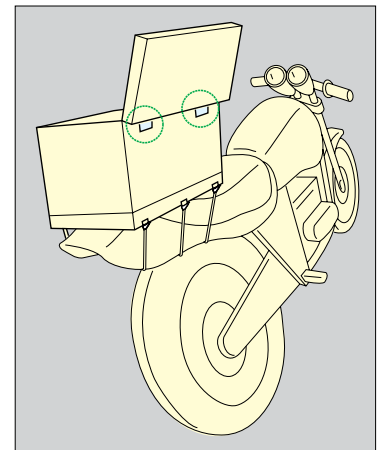
- Detent hinge with built-in damper as an option.
- Detent will hold lid in open/closed position without secondary support, and optional damper will provide soft closing.
- Operating angle: 100°
(Detent at both 0° and 100°)
- Detent holding force: 10.2 kgf-cm (8.8 lbs-in)
- Damper torque range: 10.2~25.5 kgf-cm (9~22 lbs-in)/pc



(W/Damper)



(W/Detent only)



Item No.	Torque (kgf-cm)/pc	Dampening Direction	Type	Weight (g)	Box (pcs)	Carton (pcs)
HG-CSH63AH	17.3~25.5(15~22 lbs-in)	Counter Clockwise	A	114.3	10	120
HG-CSH63AM	10.2~17.3(9~15 lbs-in)		B			
HG-CSH63BH	17.3~25.5(15~22 lbs-in)	Clockwise	C			
HG-CSH63BM	10.2~17.3(9~15 lbs-in)		D			
HG-CSH63	-	-	E	98.7		

Material	Finish
Zinc Alloy	Silver

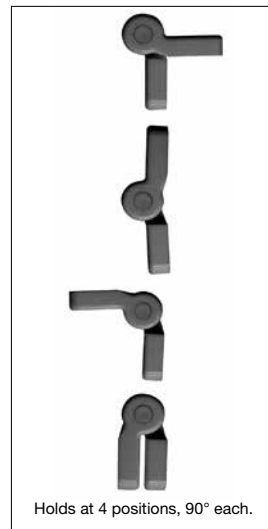
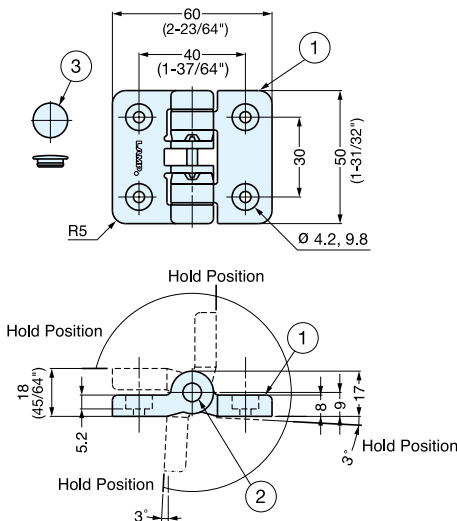
DETENT HINGE



HG-YJ50



- Plastic hinge holds doors at 4 different positions (90° each) without secondary support.
- Ivory or Black available.
- Door sizes Max. W400 × H500 mm/pair (W15-3/4" × 19-11/16"/pair)
- Door weight: Max.1.2 kg/pair (2.6 lbs/pair)



Item No.	Weight (g)	Box (pcs)	Carton (pcs)
HG-YJ50/IV	30	20	200
HG-YJ50/BL			

No.	Part Name	Material	Color
①	Body	Polyacetal	Ivory/Black
②	Hinge Pin	303 Stainless Steel	Plain
③	Cap	Polypropylene	Ivory/Black

HINGES
DETENT HINGES

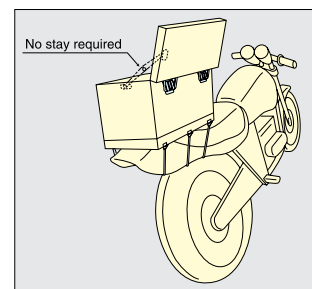
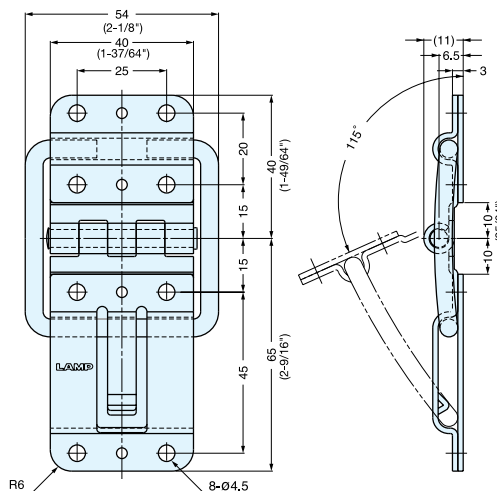
DETENT HINGE



HG-YC105



- Snaps in at 115° open position.
- Holds doors open without secondary support.



Item No.	Weight (g)	Box (pcs)	Carton (pcs)
HG-YC105	122	10	100

Material	Finish
304 Stainless Steel	Polished

SWIVEL TORQUE HINGE



HG-S



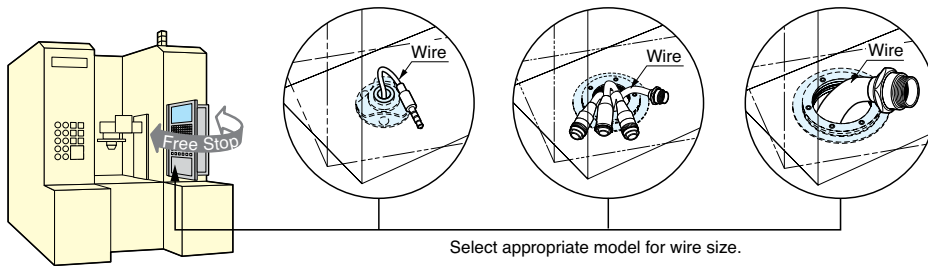
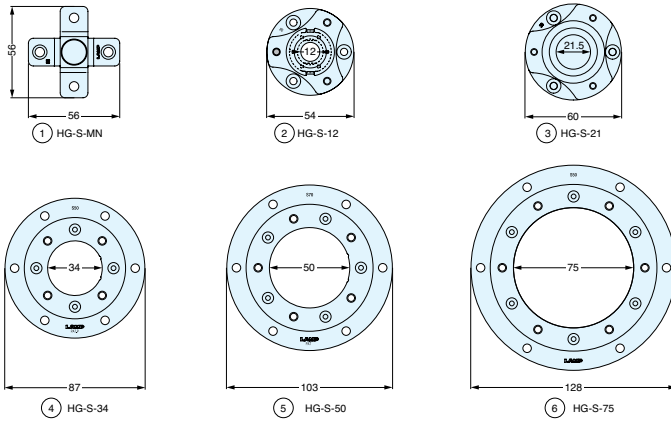
- Rotation angle: 360°
- Free stop function.

Use for:

- Industrial control panels and monitors.

Note:

- Initial torque may vary $\pm 20\%$.
- Do not lubricate.
- For indoor use only.



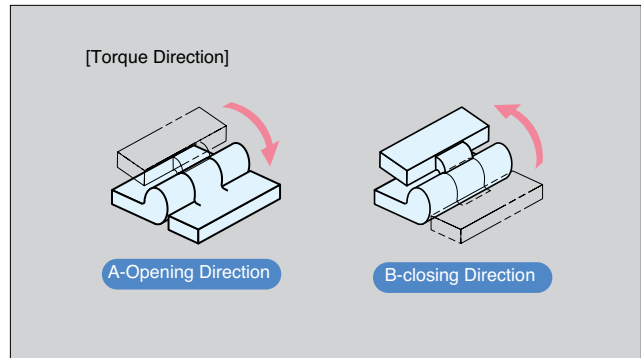
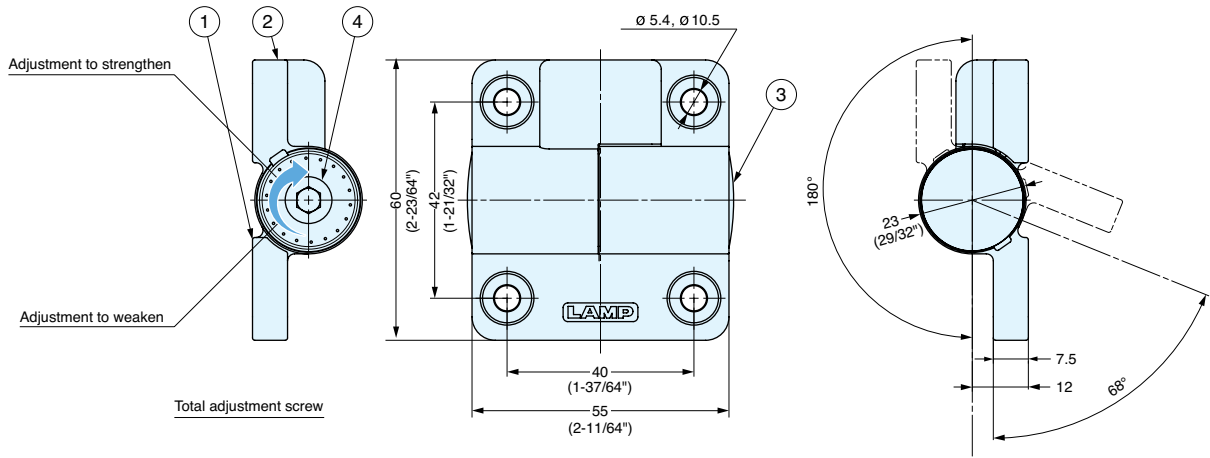
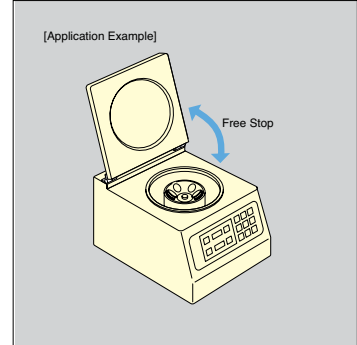
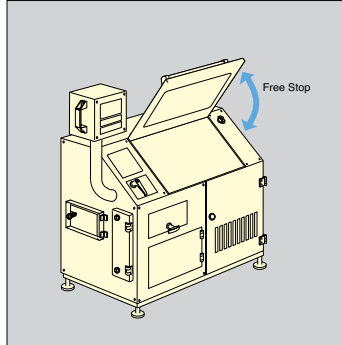
Item No.	No.	Outer Dimension (mm)	Center Hole Diameter (mm)	Torque per piece (kgf·cm)
HG-S7-MN	①	56 (2-13/64")	-	7.1 \pm 20% (6.2 lbs-in)
HG-S20-MN				20.4 \pm 20% (17.7 lbs-in)
HG-S30-12	②	54 (2-1/8")	12.0 (15/32")	30.6 \pm 20% (26.6 lbs-in)
HG-S50-12				51.0 \pm 20% (44.3 lbs-in)
HG-S30-21	③	60 (2-23/64")	21.5 (27/32")	30.6 \pm 20% (26.6 lbs-in)
HG-S50-21				51.0 \pm 20% (44.3 lbs-in)
HG-S50-34	④	87 (3-27/64")	34.0 (1-11/32")	51.0 \pm 20% (44.3 lbs-in)
HG-S70-34				71.4 \pm 20% (62.1 lbs-in)
HG-S70-50	⑤	103 (4-1/16")	50.0 (1-31/32")	71.4 \pm 20% (62.1 lbs-in)
HG-S100-50				102.0 \pm 20% (88.7 lbs-in)
HG-S50-75	⑥	128 (5-3/64")	75.0 (2-61/64")	51.0 \pm 20% (44.3 lbs-in)
HG-S70-75				71.4 \pm 20% (62.1 lbs-in)

ONE WAY TORQUE HINGE (ADJUSTABLE)



HG-TQJ100

- Friction in one direction only.
- Torque strength adjustable.
- 2 versions available for friction torque at “opening” direction (type – A) and at closing direction (type – B).



Item No.	Torque Direction	Torque per piece (kgf-cm)	No.	Torque Direction	Material	Finish
HG-TQJ100-A	Opening	0~102 (0~88.7 lbs-in)	①	Bracket A	Zinc Alloy	Satin Chrome
HG-TQJ100-B	Closing		②	Bracket B		
			③	Cover Cap	Polypropylene	Dark Grey
			④	Torque adjustment screw	Steel	-

TORQUE HINGE (DUAL AXIS)

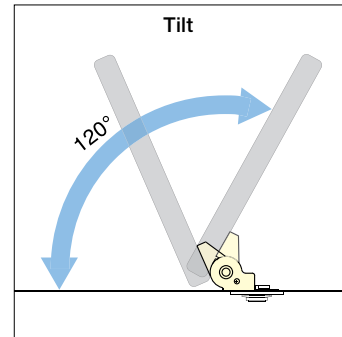
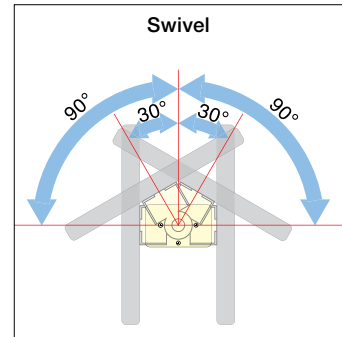
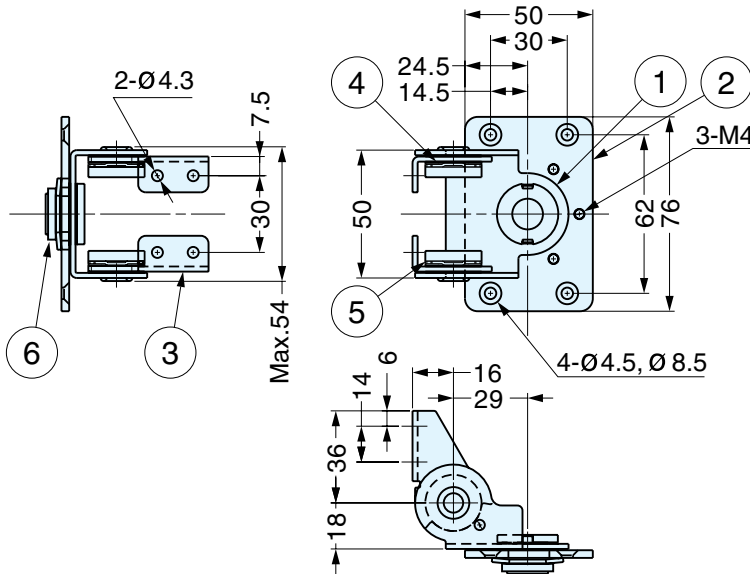
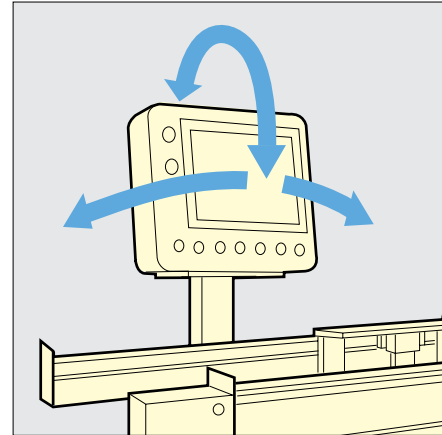


HG-T70S30

- Dual Axis: free stop at any angle in tilt & swivel.
- Provides torque stability in both directions.
- Suitable for monitor screens.



Dual AXIS Torque Hinge



*Angle restriction hole options with inserted pin/screw (not included).
TILT 0-120° & SWIVEL ± 30°, ± 90°

Item No.	Torque per piece (tilting)	Torque per piece (swiveling)
HG-T70S30	62 lbs-in ± 15%	26.6 lbs-in ± 15%

No.	Torque Direction	Material	Finish
①	Body	430 Stainless Steel	Polished
②	Base		
③	Bracket	Steel	Plain
④	Spring Washer		
⑤	Shaft	303 Stainless Steel	Polished
⑥	Washer	430 Stainless Steel	

HIDDEN TORQUE HINGE

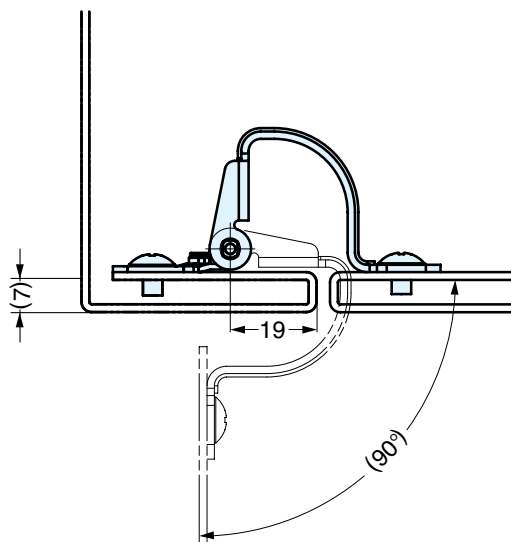
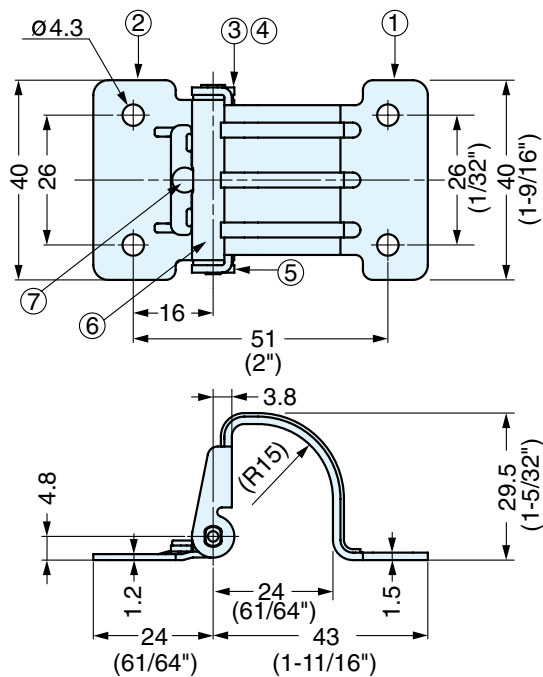
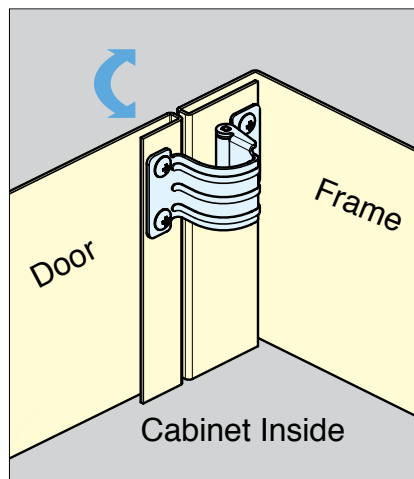


HG-TU



- Installation on the back side of the door.
- Can be used both for horizontal and vertical applications.

- Note:**
- Initial torque may vary -20%~+40%.
 - Do not lubricate.
 - For indoor use only.



Item No.	Torque per piece (kgf-cm)	Weight (g)	Box (pcs)	Carton (pcs)
HG-TU03	3.6 (3.1 lbs-in)	50	20	200
HG-TU07	7.1 (6.2 lbs-in)			

No	Part Name	Material	Finish
①	Body	430 Stainless Steel	Polished
②	Base		
③	Fixing Tube	Polyacetal	Black
④	Fixing Tube		
⑤	Shaft	303 Stainless Steel	-
⑥	Press Washer	430 Stainless Steel	Polished
⑦	Pin		

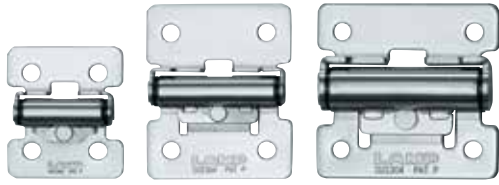
STAINLESS STEEL TORQUE HINGE



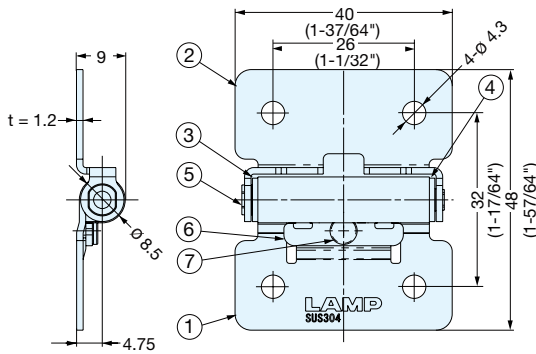
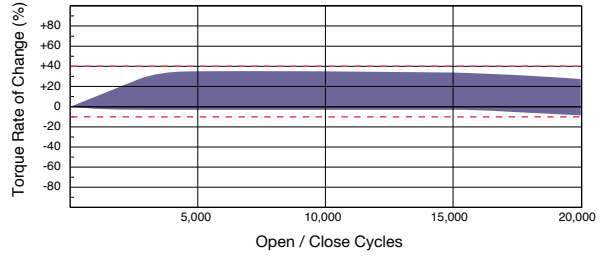
HG-TS

HINGES

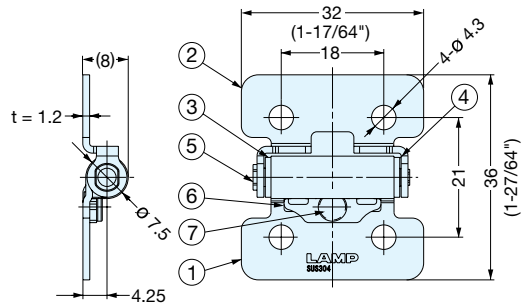
STAINLESS STEEL TORQUE HINGES



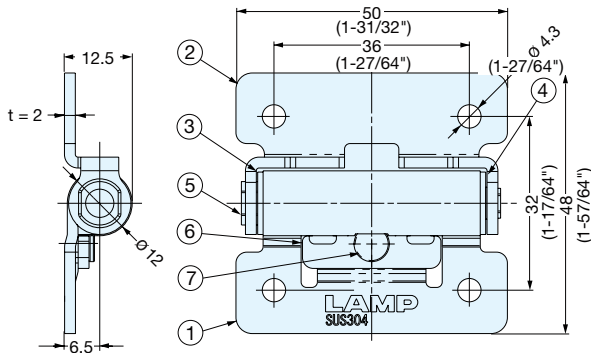
- Hinge with friction torque holds lid/door in desired position.
 - Stainless steel material ideal for harsh environments.
 - Free stop between 0~180 degrees.
 - Successfully passed 20,000 open/close private cycle tests.
- Note:
- Initial torque may vary - 20%~ + 40%.
 - At least 2 hinges necessary for 1 door.



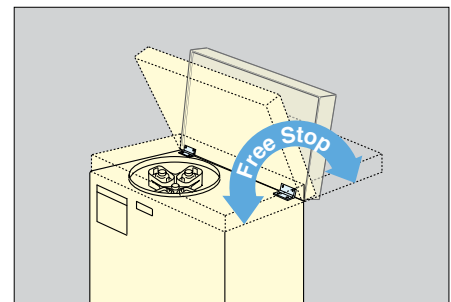
HG-TS07



HG-TS03



HG-TS15



Item No.	Torque per piece (kgf-cm)	Weight (g)	Box (pcs)	Carton (pcs)
HG-TS03	3.6 (3.1 lbs-in)	15.0	50	500
HG-TS07	7.1 (6.2 lbs-in)	27.5		
HG-TS15	15.3 (13.3 lbs-in)	64.1	20	200

No.	Part Name	Material	Finish
①	Body	304 Stainless Steel	Polished
②	Base		
③	Fixing Tube	Polyacetal	Black
④	Fixing Tube		
⑤	Shaft	303 Stainless Steel	-
⑥	Press Washer	304 Stainless Steel	Polished
⑦	Pin		-

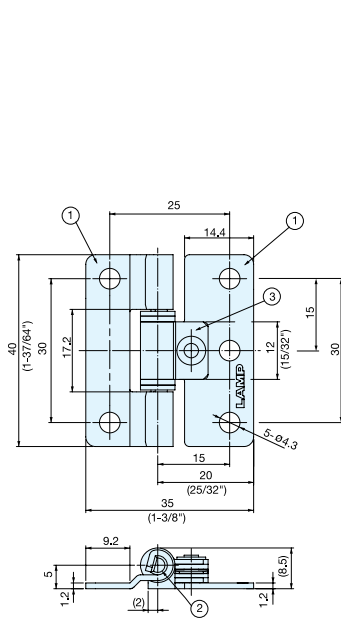
STAINLESS STEEL TORQUE HINGE



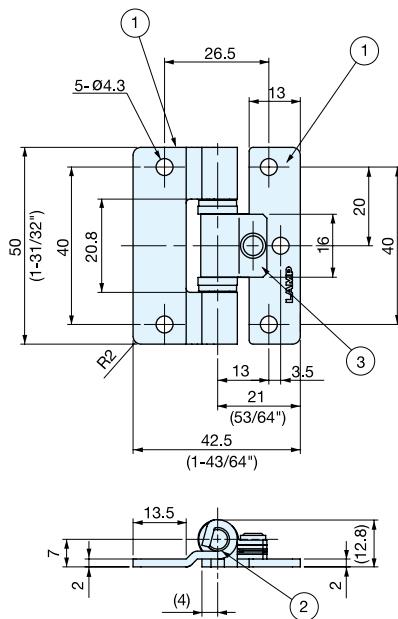
SFTH



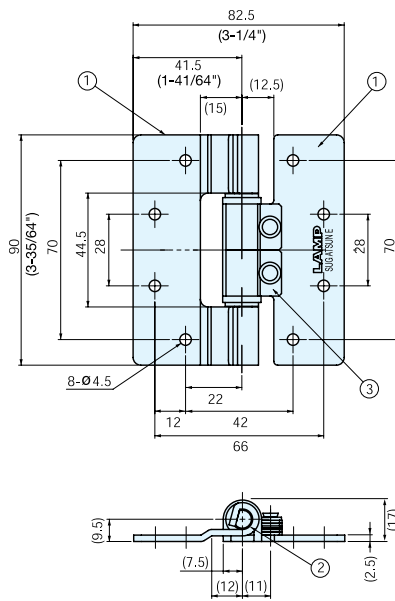
- Hinge with friction torque holds lid/door in desired position.
- Stainless steel construction for corrosive environments.
- Operating temperature: -20°C-60°C (-4°F-140°F)



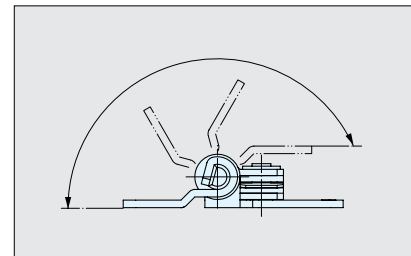
SFTH-02



SFTH-03



SFTH-05



Applicable torque range

Item No.	Torque per piece (kgf·cm)	Weight (g)	Box (pcs)	Carton (pcs)
SFTH-02-5	5 (4.3 lbs·in) ±1kgf·cm	21	50	500
SFTH-03-9	9 (7.8 lbs·in) ±2kgf·cm	51	30	300
SFTH-03-19	19 (16.5 lbs·in) ±2kgf·cm			
SFTH-05-35	35 (30.4 lbs·in) ±5kgf·cm	195	10	100
SFTH-05-58	58 (50.3 lbs·in) ±5kgf·cm			

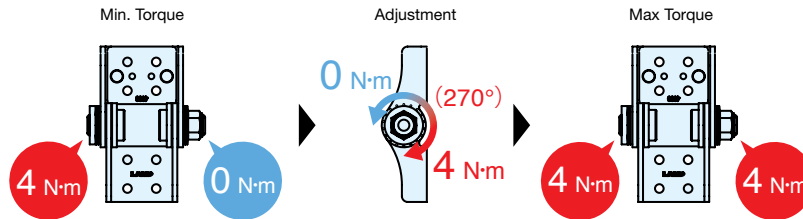
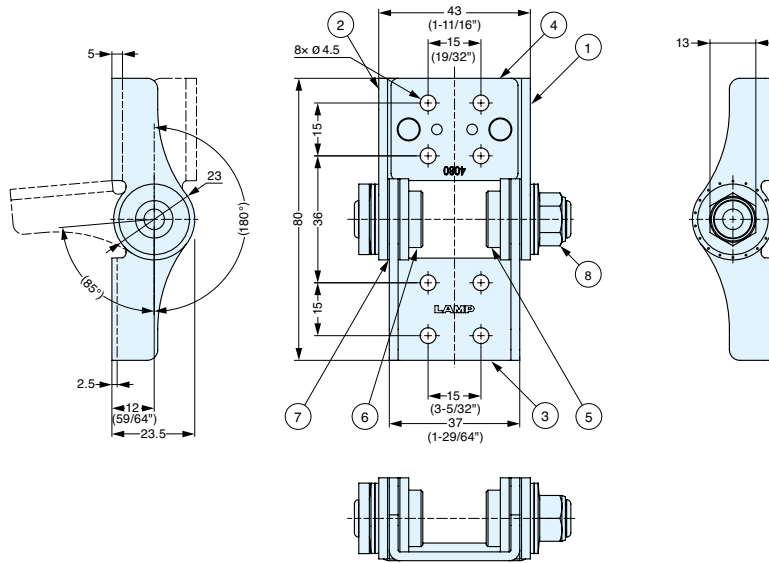
No.	Part Name	Material	Finish
①	Body A	304 Stainless Steel	Polished
②	Shaft	303 Stainless Steel	
③	Body B	301 Stainless Steel	

TORQUE HINGE



HG-ITJ4080

- Torque strength is adjustable.
- Hinge with friction torque holds lid/door in desired position.
- High torque in a small profile.
- 4±20% minimum torque



Item No.	Torque per piece (kgf-cm)	Weight (g)	Box (pcs)	Carton (pcs)
HG-ITJ4080	41~82 (35.6~71.2 lbs-in)	163	10	80
No.	Part Name	Material	Finish	
①	Bracket A	430 Stainless Steel	Mirror	
②	Bracket B			
③	Bracket C			
④	Plate			
⑤	Shaft A	Stainless Steel	Plain	
⑥	Shaft B			
⑦	Washer	Phosphor Bronze	Polished	
⑧	Nut (Torque Adjustment)	Stainless Steel	-	

COMBINATION HINGE



HG-VH8

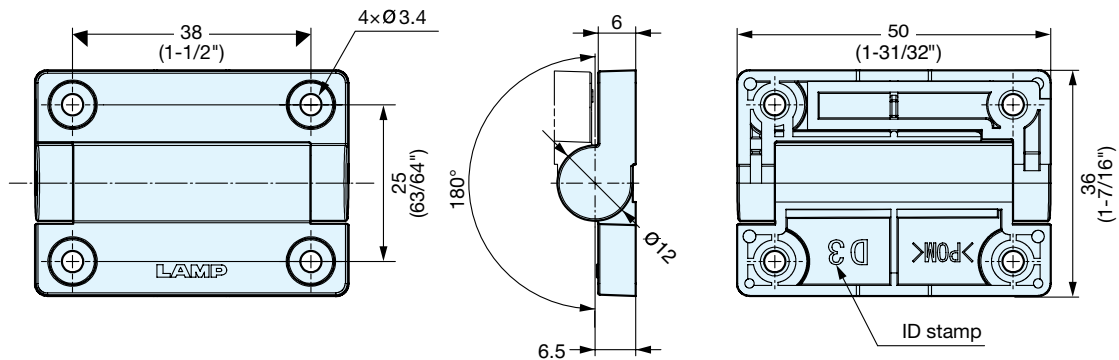
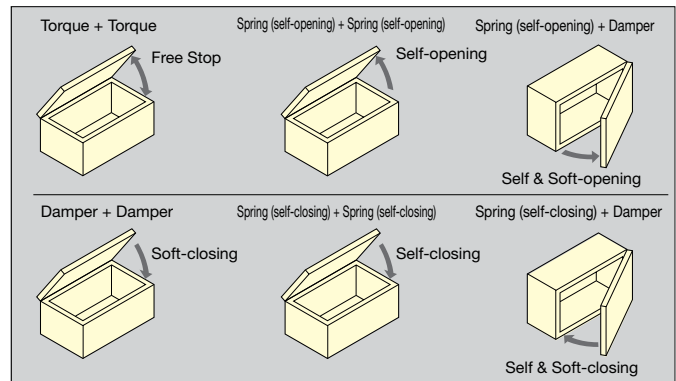
- Hinges for light weight lids & doors.
- Various motions in same hinge case.
- Flexible combination.



Black



White



*Increase of 0.16 kgf.cm for every 30° of rotation. Maximum rotation of 120°

Item No.	ID Stamp	Feature	Torque per piece (kgf.cm)	Opening angle	Material
HG-VH8-N-BL	N	Standard Movement	-	270°	Polyacetal
HG-VH8-N-WT					
HG-VH8-D3-BL	D3	Soft-Closing Damper	0.22~0.39 (0.19 ~ 0.34 lbs-in)		
HG-VH8-D3-WT					
HG-VH8-OP-BL	OP	Self-Opening Spring	0.16 kgf.cm ~ 0.64 kgf.cm* (0.14 ~ 0.56 lbs-in)		
HG-VH8-OP-WT					
HG-VH8-CL-BL	CL	Self-Closing Spring			
HG-VH8-CL-WT					
HG-VH8-T15-BL	T1	Free Stop	1.53±0.51 (1.33±0.44 lbs-in)		
HG-VH8-T15-WT					
HG-VH8-T35-BL	T3		3.57±1.02 (3.10±0.89 lbs-in)		
HG-VH8-T35-WT					

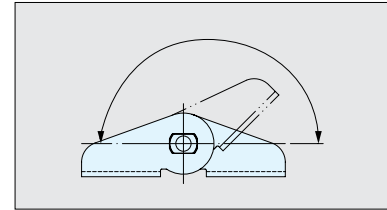
TORQUE HINGE



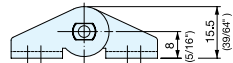
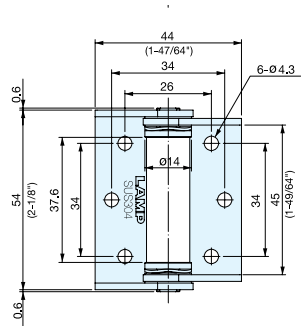
HG-IT



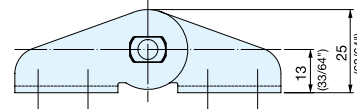
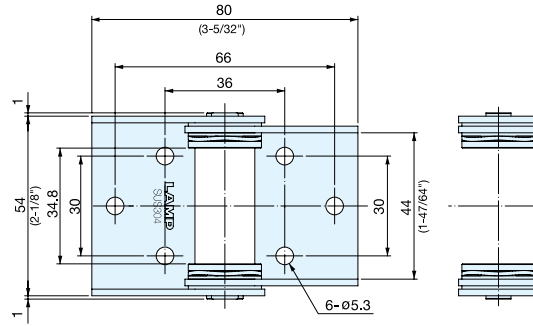
- Hinge with friction torque for holding monitors, displays etc. in desired position.
- Without friction torque available. (HG-ITSF, HG-ITMF)
- Optional cover available for clean appearance.
- Operating Temperature: -10°C~ 50°C (14F°~122F°)



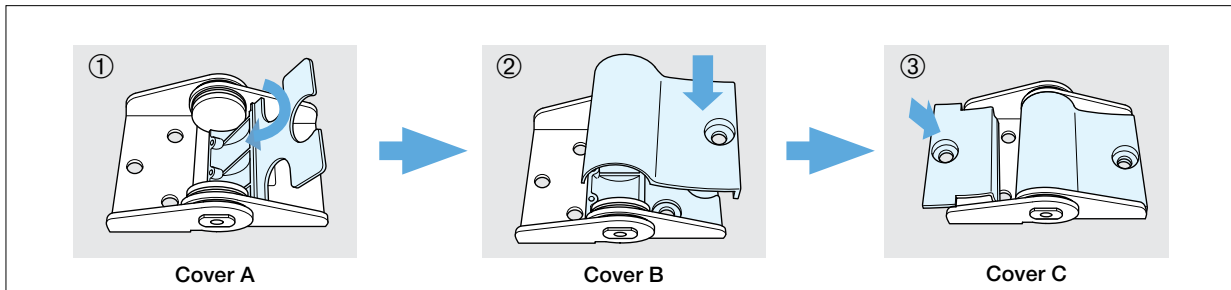
Applicable torque range



HG-ITS
HG-ITSF



HG-ITM
HG-ITMF



HG-ITSC, HG-ITMC: Cover plates sold separately.



Item No.	Cover For	Weight (g)	Box (pcs)	Carton (pcs)
HG-ITSC	HG-ITS, HG-ITSF	10	40	960
HG-ITMC	HG-ITM, HG-ITMF	18	20	480

Item No.	Torque per piece (kgf-cm)	Weight (g)	Box (pcs)	Carton (pcs)
HG-ITSF	Free Movement	48	10	80
HG-ITMF		125		

Item No.	Torque per piece (kgf-cm)	Weight (g)	Box (pcs)	Carton (pcs)
HG-ITS25	25 (21.7 lbs-in) ±20%	50	20	160
HG-ITS35	35 (30.4 lbs-in) ±20%			
HG-ITM50	50 (43.4 lbs-in) ±20%			
HG-ITM70	70 (60.8 lbs-in) ±20%	130	10	80

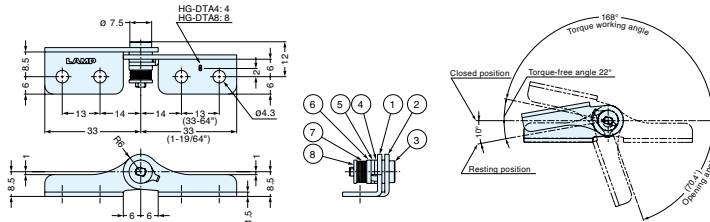
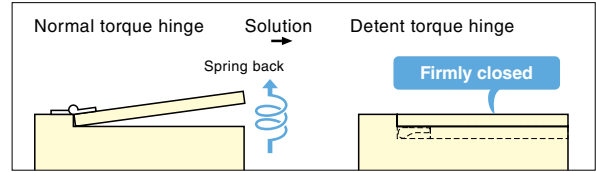
Part Name	Material	Finish
Body	304 Stainless Steel	Polished
Shaft	303 Stainless Steel	Plain
Washer	Phosphor Bronze	Polished
Spring Washer	Steel	Nickel
Cover	ABS	Silver

DETENT TORQUE HINGE



HG-DTA

- Hinge with built-in detent feature firmly keeps lid closed.
- No additional catch required.



No	Part Name	Material	Finish
①	Base	304 Stainless Steel	Mirror
②	Bracket	303 Stainless Steel	-
③	Shaft	Stainless Steel	
④	Washer		
⑤	Cam A		
⑥	Cam B		
⑦	Spring Washer		
⑧	Plate		

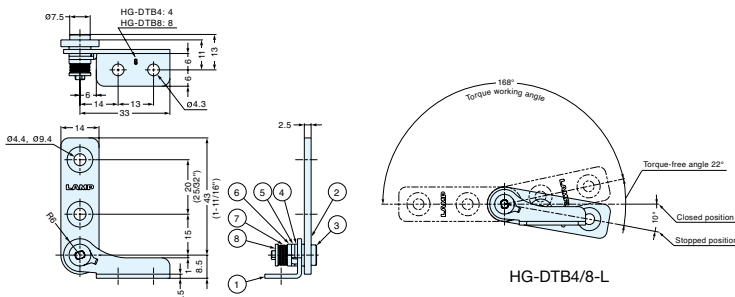
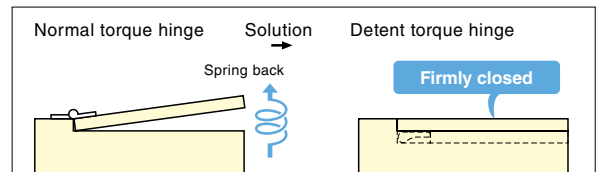
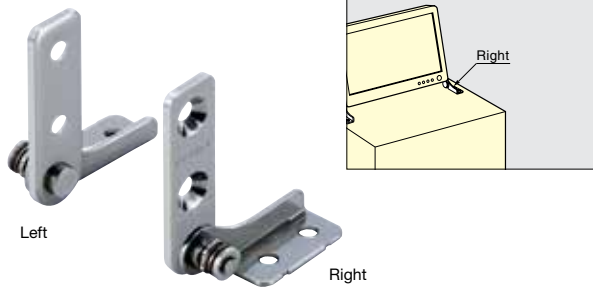
Item No.	Type	Torque per piece (kgf-cm)	Weight (g)	Box (pcs)	Carton (pcs)
HG-DTA4-R	Right	4.08 (3.55 lbs-in) ± 20%	19	50	400
HG-DTA4-L	Left				
HG-DTA8-R	Right	8.16 (7.10 lbs-in) ± 20%			500
HG-DTA8-L	Left				

DETENT TORQUE HINGE



HG-DTB

- Hinge with built-in detent feature firmly keeps lid closed.
- No additional catch required.



No	Part Name	Material	Finish
①	Base	304 Stainless Steel	Mirror
②	Bracket	303 Stainless Steel	-
③	Shaft	Stainless Steel	
④	Washer		
⑤	Cam A		
⑥	Cam B		
⑦	Spring Washer		
⑧	Plate		

Item No.	Type	Torque per piece (kgf-cm)	Weight (g)	Box (pcs)	Carton (pcs)
HG-DTB4-R	Right	4.08 (3.55 lbs-in) ± 20%	19	50	400
HG-DTB4-L	Left				
HG-DTB8-R	Right	8.16 (7.10 lbs-in) ± 20%			500
HG-DTB8-L	Left				

TORQUE HINGE

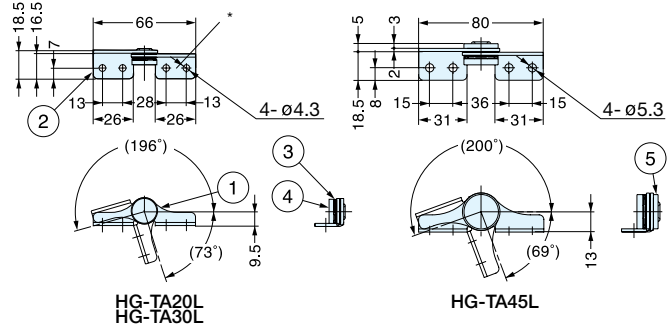


HG-TA



- Free stop hinge with friction torque.
- Consistent torque throughout working range.
- Opening angle 0°~140°

- Applications:
- Ideal for indoor applications.
 - LCD monitors, monitoring cameras, displays etc.



No	Part Name	Material	Finish
①	Hinge A	430 Stainless Steel	Plain
②	Hinge B		
③	Spring Washer	Steel	-
④	Shaft	303 Stainless Steel	-
⑤	Washer	430 Stainless Steel	-

Item No.	Type	Torque per piece (kgf-cm)	Torque per piece (lbs-in)	Weight (g)	Box (pcs)	Carton (pcs)
HG-TA20R	Right hand	20.4 ± 20%	17.7 ± 20%	30	40	320
HG-TA20L	Left hand					
HG-TA30R	Right hand	30.6 ± 20%	26.5 ± 20%			
HG-TA30L	Left hand					
HG-TA45R	Right hand	45.9 ± 20%	39.8 ± 20%	65	20	160
HG-TA45L	Left hand					

TORQUE HINGE

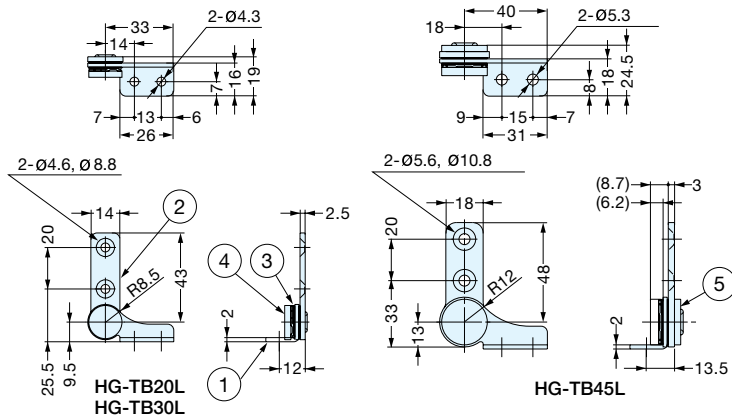
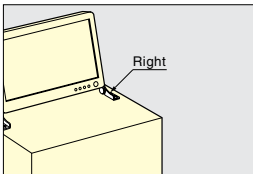


HG-TB



- Free stop hinge with friction torque.
- Consistent torque throughout working range.
- Opening angle 360°

- Applications:
- Ideal for indoor applications.
 - LCD monitors, monitoring cameras, displays etc.



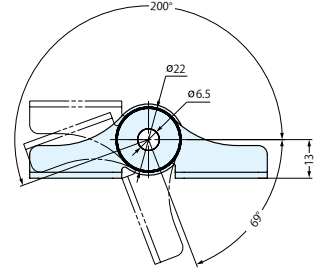
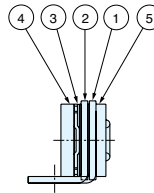
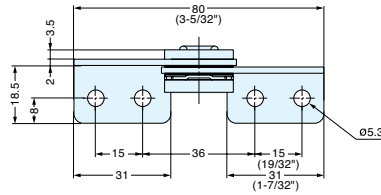
No	Part Name	Material	Finish
①	Hinge A	430 Stainless Steel	Plain
②	Hinge B		
③	Spring Washer	Steel	-
④	Shaft	303 Stainless Steel	-
⑤	Washer	430 Stainless Steel	-

Item No.	Type	Torque per piece (kgf-cm)	Torque per piece (lbs-in)	Weight (g)	Box (pcs)	Carton (pcs)
HG-TB20R	Right hand	20.4 ± 20%	17.7 ± 20%	30	40	320
HG-TB20L	Left hand					
HG-TB30R	Right hand	30.6 ± 20%	26.5 ± 20%			
HG-TB30L	Left hand					
HG-TB45R	Right hand	45.9 ± 20%	39.8 ± 20%	65	20	160
HG-TB45L	Left hand					

TORQUE HINGE (W/CABLE HOLE)



HG-TA45H



- Hole in hinge knuckle allows for management of cable wire.
- Passed 50,000 open/close cycle test.

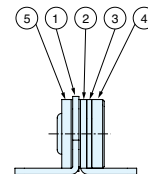
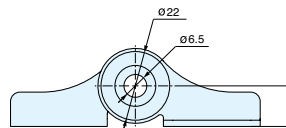
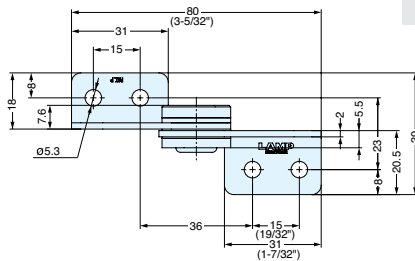
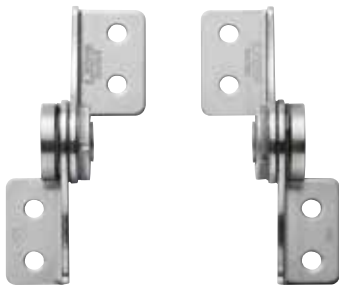
No	Part Name	Material	Finish
①	Hinge A	430 Stainless Steel	Polished
②	Hinge B		
③	Spring Washer	Steel	-
④	Knuckle	303 Stainless Steel	
⑤	Washer	430 Stainless Steel	

Item No.	Type	Torque per piece (kgf-cm)	Weight (g)	Box (pcs)	Carton (pcs)
HG-TA45HR	Right	45.9 (39.8 lbs-in) ± 20%	60	20	160
HG-TA45HL	Left				

TORQUE HINGE (W/CABLE HOLE)



HG-TC45H



- Hole in hinge knuckle allows for management of cable wire.
- Passed 50,000 open/close cycle test.

No	Part Name	Material	Finish
①	Hinge A	430 Stainless Steel	Polished
②	Hinge B		
③	Spring Washer	Steel	-
④	Knuckle	303 Stainless Steel	
⑤	Washer	430 Stainless Steel	

Item No.	Type	Torque per piece (kgf-cm)	Weight (g)	Box (pcs)	Carton (pcs)
HG-TC45HR	Right	45.9 (39.8 lbs-in) ± 20%	60	20	160
HG-TC45HL	Left				

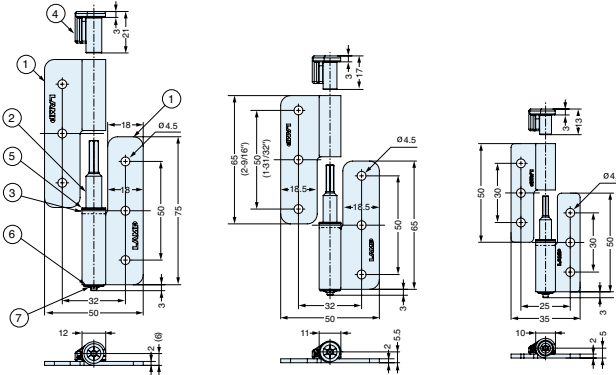
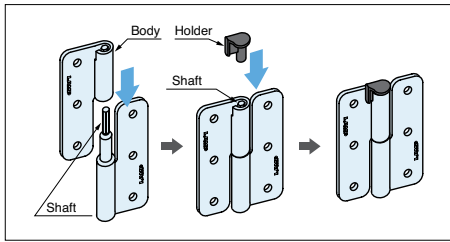
LIFT-OFF TORQUE HINGE

HG-KNT



HG-KNT3L

- Hinge with friction torque lift off feature for easy removal.
- Can be used horizontally.
- Passed 20,000 open/close cycle tests.



Item No.	Type	Torque per 2 pieces (kgf-cm)	Weight (g)	Box (pcs)	Carton (pcs)
HG-KNT3L	Left	3.1 (2.5 lbs-in) ± 20%	42	50	200
HG-KNT3R	Right				
HG-KNT7L	Left	7.1 (5.7 lbs-in) ± 20%	76	30	120
HG-KNT7R	Right				
HG-KNT16L	Left	16.3 (13.0 lbs-in) ± 20%	96	30	120
HG-KNT16R	Right				

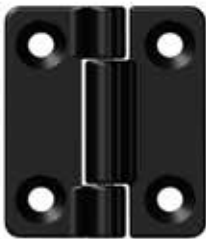
No	Part Name	Material	Finish
①	Body	304 Stainless Steel	Polished
②	Shaft		
③	Plug	Polyacetal	Black
④	Holder	Polyamide	
⑤	Washer A	PTFE	Natural
⑥	Washer B	Polyacetal	
⑦	Nut	Stainless Steel	-

COMPACT TORQUE HINGE



HG-MF

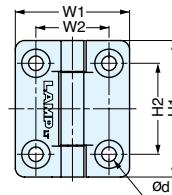
- Free stop hinge in compact profile.
- Passed 20,000 open/close cycle tests.



Black

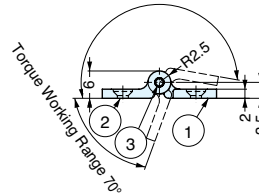


White

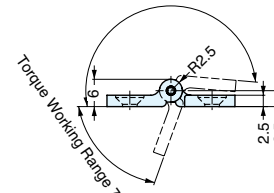


Torque Working Range 190°

Torque Working Range 185°



HG-MF08/HG-MF15



HG-MF25

Item No.	Color	W ₁	W ₂	H ₁	H ₂	t	d _φ	Torque per piece (kgf-cm)
HG-MF08-BL	Black	25	16	20	10	2.0	2.4	0.8 (0.64 lbs-in) ± 25%
HG-MF08-WT	White			30	20			
HG-MF15-BL	Black	28	18	40	25	2.5	3.2	1.5 (1.20 lbs-in) ± 33%
HG-MF15-WT	White							
HG-MF25-BL	Black	28	18	40	25	2.5	3.2	2.5 (2.00 lbs-in) ± 33%
HG-MF25-WT	White							

No	Part Name	Material	Finish
①	Body A	Polyacetal	Black/White
②	Body B		
③	Shaft	304 Stainless Steel	-

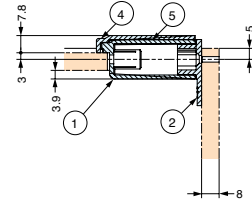
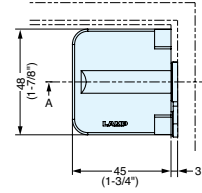
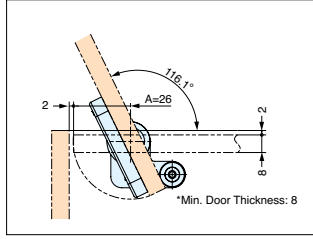
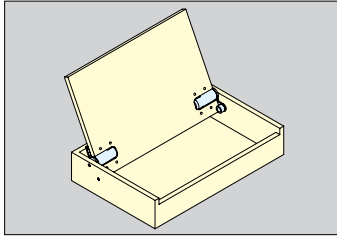
SOFT-CLOSE DAMPENING HINGE



HG-JHM14



- Hinge with built-in damper to keep lid from slamming shut.
- Mortise mount type.



Item No.	Cplor	Torque per piece (kgf-cm)	Weight (g)	Box (pcs)	Carton (pcs)
HG-JHM14-S-8BL	Black	5~8 (4.3~7 lbs-in)	51	20	220
HG-JHM14-S-8WT	White				
HG-JHM14-S-15BL	Black	8~15 (7.0~13 lbs-in)	51	20	220
HG-JHM14-S-15WT	White				
HG-JHM14-S-20BL	Black	15~20 (13.0~17 lbs-in)	51	20	220
HG-JHM14-S-20WT	White				

No	Part Name	Material	Finish
①	Bracket	Polyacetal	Black /White
②	Mounting Plate R	PBT plastic	
③	Mounting Plate L		ABS plastic
④	Face Plate	304 Stainless Steel	-
⑤	Damper		

UNDER PANEL MOUNTING BRACKET

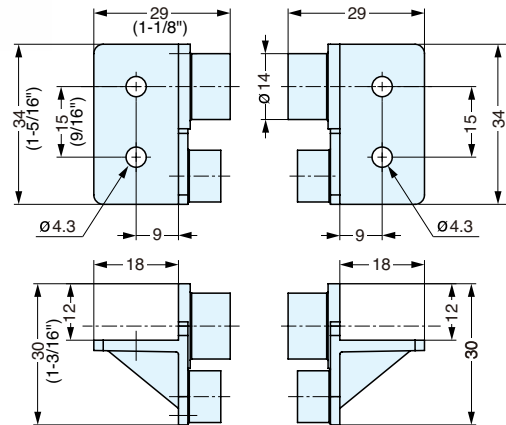
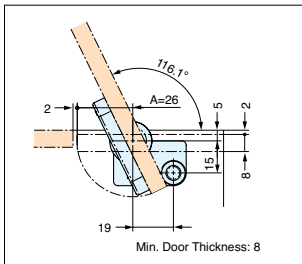
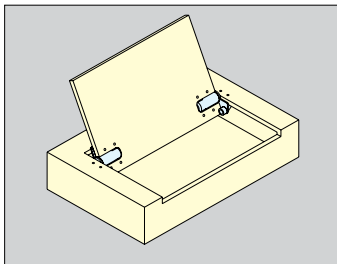
UKZ14



Black

White

- Under panel installation bracket for HG-JHM14 Soft-Close hinge.

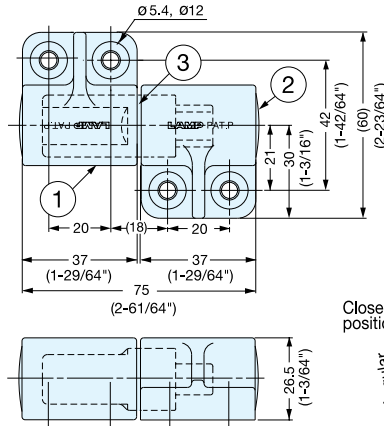


Item No.	Material	Color
UKZ14-BL	PBT Plastic	Black
UKZ14-WT		White

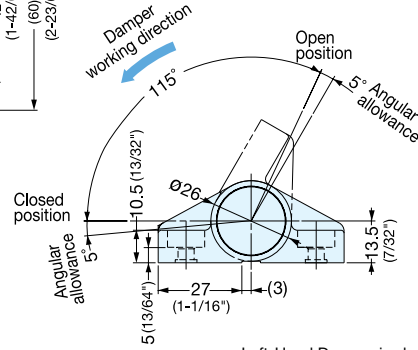
SOFT-CLOSE DAMPENING HINGE



HG-JH

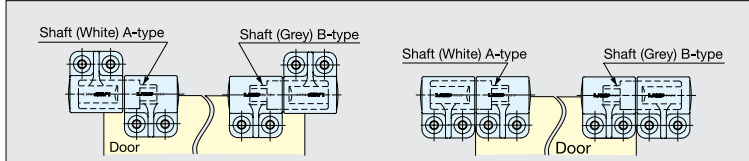


- Soft-Close damper keeps lid from slamming shut.
- Surface mount type.
- Operating temperature: 0~40°C (32~104°F)
- Operating angle: 115°/Dead angle 5°
- Sold in pairs.



Left-Hand Damper is shown

*A-type damper: Damper works counterclockwise.
 *B-type damper: Damper works clockwise.
 *Sold in pairs. (Each of A/B type)



No.	Part Name	Material	Color
①	Bracket	PBT Plastic/Zinc Alloy	Dark Grey
②	Cap	Polypropylene	
③	Damper	304 Stainless Steel	Plain

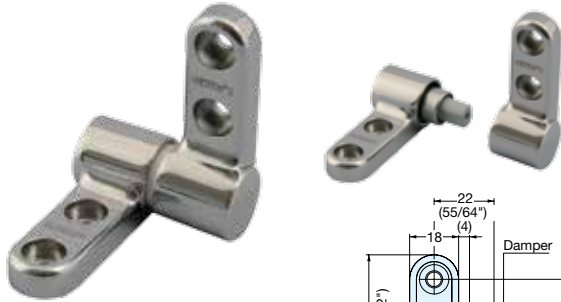
Item No.	Shaft Color		Torque per pair (kgf-cm)	Weight (g)	Box (pairs)	Carton (pairs)
HG-JH25	White (A-type)	Grey (B-type)	31~51 (27~44 lbs-in)	180/pair	4	64
HG-JH35			51~71 (44~61 lbs-in)			

HINGES
SOFT-CLOSE DAMPENING HINGES

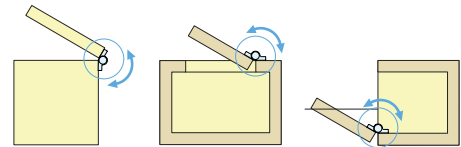
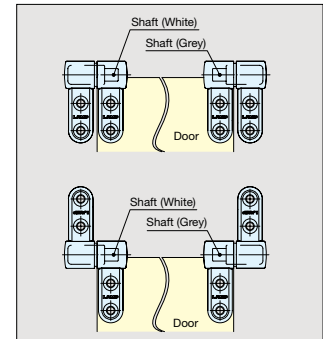
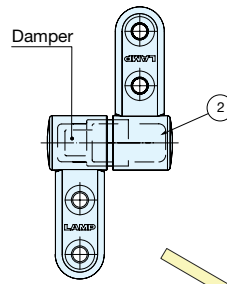
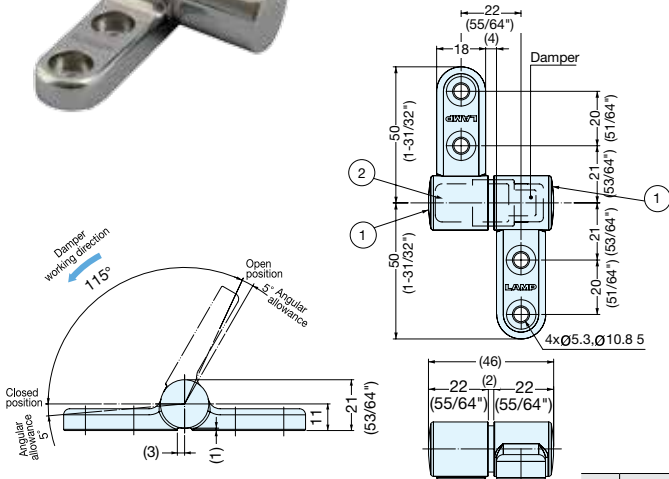
STAINLESS STEEL SOFT-CLOSE DAMPENING HINGE



HG-JH14-50



- Soft-Close damper keeps lid from slamming shut.
- Surface mount type.
- Operating temperature: 0~40°C (32~104°F)
- Operating angle: 115°/Dead angle 5°
- Sold in pairs.



No.	Part Name	Material	Finish
①	Bracket	SCS13 Stainless Steel (Similar to SUS304)	Mirror
②	Damper	304 Stainless Steel	Plain

Item No.	Torque per pair (kgf-cm)	Weight (g)	Box (pairs)	Carton (pairs)
HG-JH14-50	30~51 (26~44 lbs-in)	254/pair	1	48

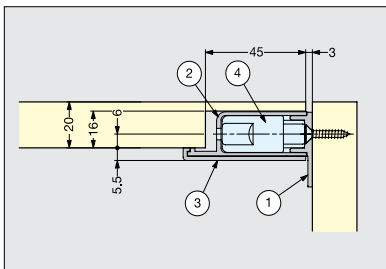
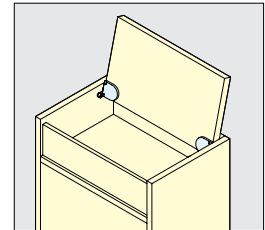
SOFT-CLOSE DAMPENING HINGE



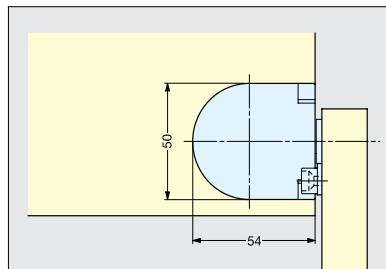
HG-JHM16



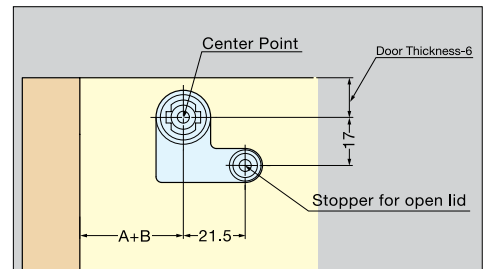
- Hinge with damper built-in to keep lid from slamming shut.
- Mortise mount type.
- Ideal for small size lid.
- Sold in pairs.
- Torque Calculation:
Torque = Door Height x 1/2 x Door Weight
- *Please see diagram below for applicable torque moment.
- *Please specify face plate color (sold separately) when ordering.
- *Please install Left and Right brackets on correct side.



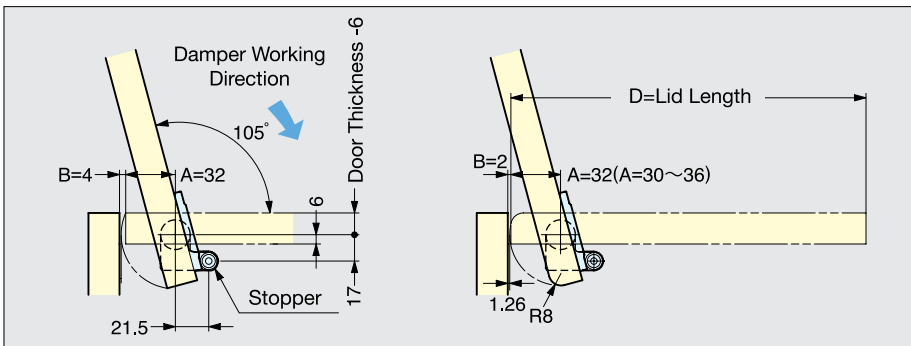
Installation



Installation (90° open position)

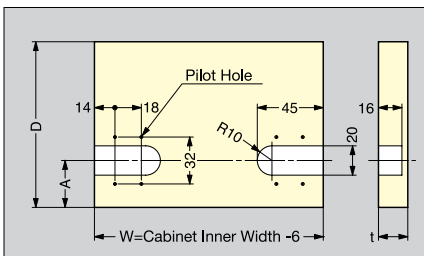


Mounting Plate Installation

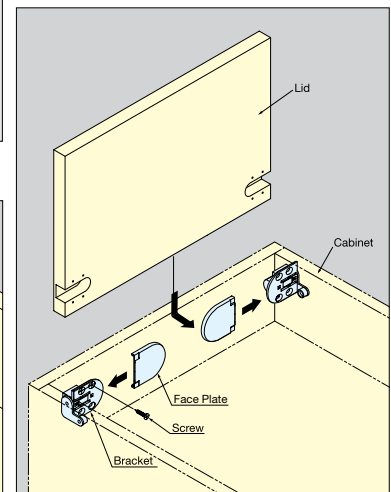
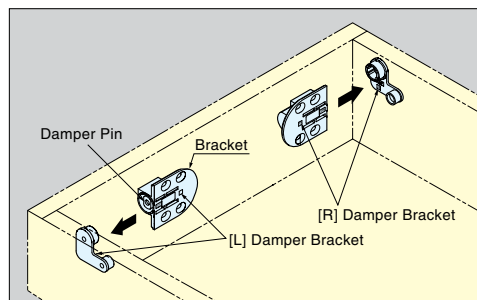


Standard Installation

Installation with Rounded Lid Edge.



Bore Dimensions



Item No.	Part Name	Color	Torque per pair (kgf-cm)	Weight (g)	Box	Carton
HG-JHM16-34	Body	Black	20~34 (17.4~29.5 lbs-in)	91/pair	10 pairs	120 pairs
HG-JHM16-50			34~50 (29.5~43.4 lbs-in)			
HG-JHM16-BL	Face Plate	Black	-	12/pair	10 pairs	120 pairs
HG-JHM16-WT		White				

No.	Part Name	Material	Color
①	Mounting Plate	Aluminum	Black
②	Damper Bracket	Polyacetal	
③	Face Plate	ABS	White/Black
④	Damper	304 Stainless Steel	Plain

SOFT-CLOSE DAMPENING HINGE



HG-JHM9-S

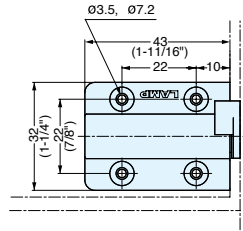
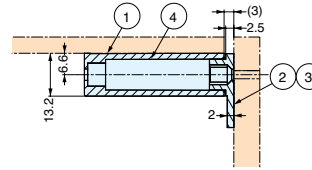


HG-JHM9-S Black

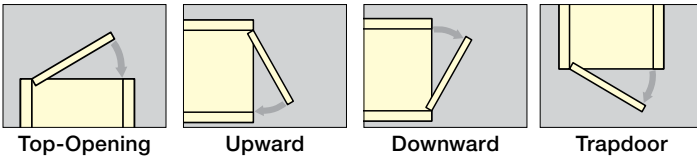


HG-JHM9-U White

- Hinge with damper built-in to keep lid from slamming shut.
- Surface mounts into the lid.
- Side panel or under panel mounted.
- Sold as a set.



Damping direction



Item No.	Color	Type	Torque per pair (kgf-cm)
HG-JHM9-S-BL	Black	Side Panel Mount	0.55 ~ 0.88 (0.48 ~ 0.77 lbs-in)
HG-JHM9-S-WT	White		
HG-JHM9-U-BL	Black	Under Panel Mount	
HG-JHM9-U-WT	White		

No	Part Name	Material	Finish
①	Bracket	Polyacetal	Black/White
②	Mounting Plate R	PBT plastic	
③	Mounting Plate L	PBT plastic	
④	Damper	Polyacetal	-

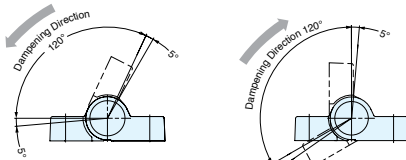
SOFT CLOSE HINGE



HG-JHW16S

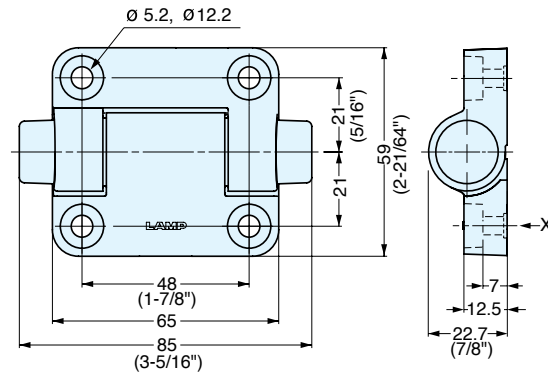


- Hinge with built-in damper to keep lid from slamming.
- Torque calculation:
• Torque = Door Height x 1/2 Door Weight.
- Passed 70,000 open/close cycle tests.



HG-JHW16S

HG-JHW16SG



Item No.	Damper Direction	Torque (kgf-cm)	Weight (g)	Box (pcs)
HG-JHW16S-34	Closing	20~35 (17~30 lbs-in)	83	30
HG-JHW16S-50		35~51 (30~44 lbs-in)		
HG-JHW16S-34G	Opening	20~35 (17~30 lbs-in)		
HG-JHW16S-50G		35~51 (30~44 lbs-in)		
HG-JHW16S-00	No Damper	-	52	

Part Name	Material	Finish/Color
Bracket	PBT Plastic	Dark Grey
Cap	Polypropylene	-
Damper	304 Stainless Steel	Plain

SOFT-OPEN DAMPENING HINGE



HG-JHS9

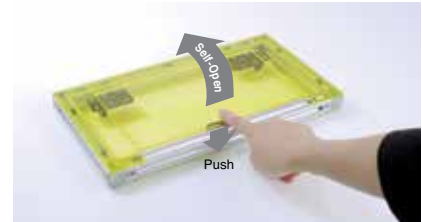


HG-JHS9-S Black

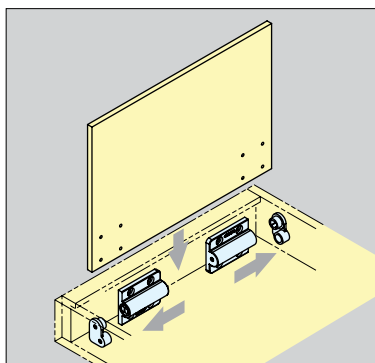
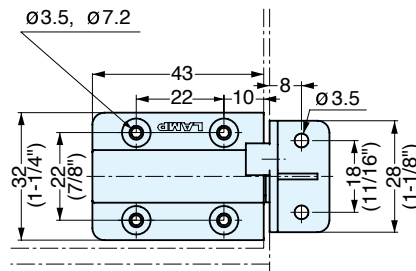
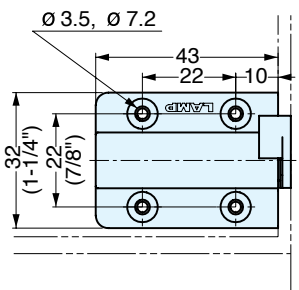
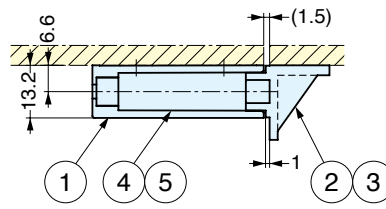
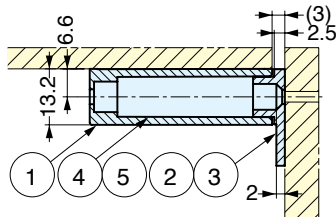


HG-JHS9-U White

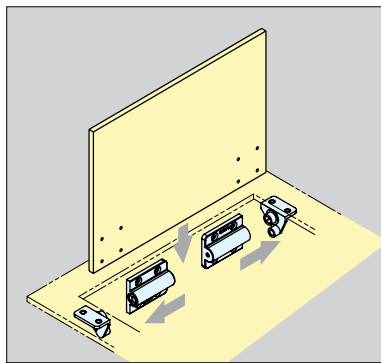
- Soft opening hinge, push latch sold separately.
- Built in damper for soft opening.
- Sold as a set.
- For inset applications.
- 105 degrees opening angle.



Push latch sold separately



Side Mount



Under Mount

Item No.	Color	Type	Torque per piece (kgf-cm)
HG-JHS9-S-BL	Black	Side Panel Mount	0.28-0.44 (0.24-0.38 lbs-in)
HG-JHS9-S-WT	White		
HG-JHS9-U-BL	Black	Under Panel Mount	
HG-JHS9-U-WT	White		

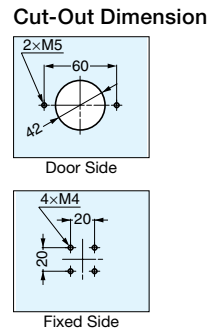
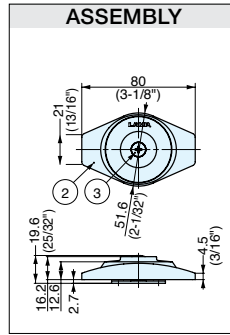
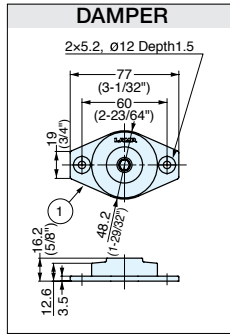
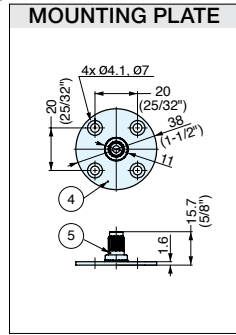
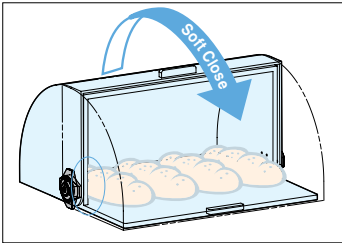
No	Part Name	Material	Finish
①	Bracket	Polyacetal	Black/White
②	Mounting Plate R	PBT plastic	
③	Mounting Plate L		
④	Damper	Polyacetal	-
⑤	Spring	Zinc Alloy	Spring

DISK DAMPER



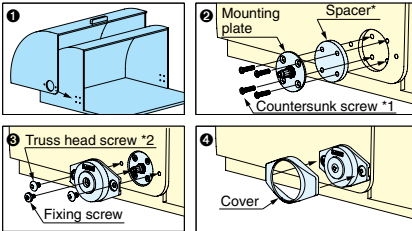
UDD

- Disc-shaped damper gently closes lid without slamming shut.
- Narrow profile for unobtrusive installation.
- Suitable for food service environments.
- Successfully passed 30,000 open/close private cycle test.
- Operating temperature: 5-35 °C (41-95°F)
- Spacer and installation screws are not included, and vary with application. Please contact customer service for more information.



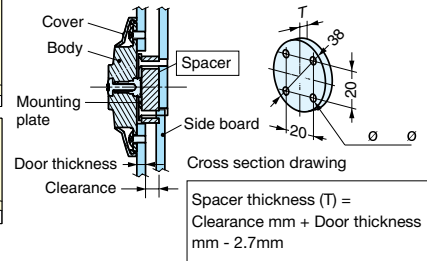
HINGES
DISK DAMPERS

How to Install

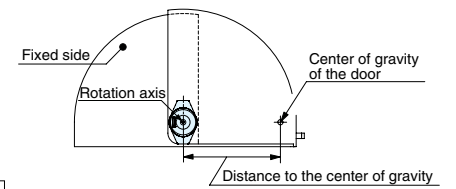


*1, *2 screws and Spacer are not included.

Spacer



Damper Selection



*Torque = Distance to the center of gravity x 1/2 x Door weight

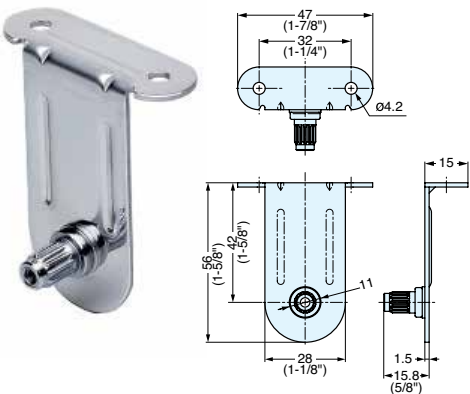
Item No.	Handing	Torque (kgf-cm) (4.4-8.9 lbs-in)	Weight (g)	Box Qty (pcs)
UDD-S-L	Left	5.1~10.2 (4.4-8.9 lbs-in)	90	20
UDD-S-R	Right			
UDD-M-L	Left	10.2~20.4 (8.9~17.7 lbs-in)		
UDD-M-R	Right	20.4~30.6 (17.7~26.6 lbs-in)		

No	Part Name	Material	Finish
①	Main Body	ABS Plastic	Light Grey
②	Cover		
③	Screws	Steel	Nickel
④	Mounting Plate		
⑤	Axis		Zinc

UDD DISK DAMPER BRACKET

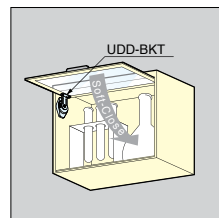


UDD-BKT

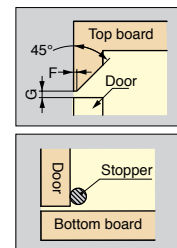
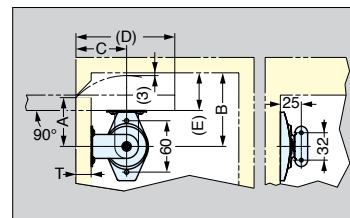


- Bracket for disk damper UDD for upward-opening door.
- Catch is needed for holding door in opened position (not included).
- Use SDS-50G face plate for glass/acrylic door.
- Stop required to prevent over rotation (not included).

Application Example



Cut-Out Dimension



Item No.	Material	Finish
UDD-BKT	304 Stainless Steel	Plain

T: Door Thickness	A	B	C	D	E	F	G
5	46	70	49	95	26	1	3
15	54	82	57	111	40	2	4
18	57	86	60	117	44	3	5

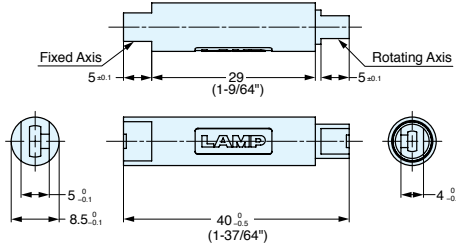
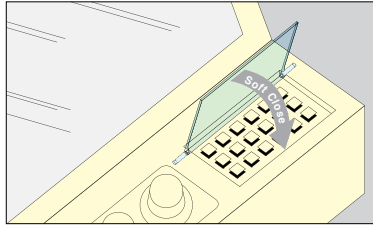
ROTARY DAMPER



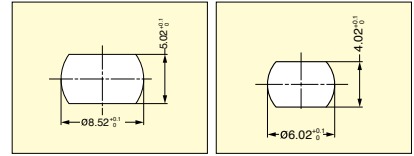
URD8-3



- 360 degree rotary damper.
- Cylindrical shape for concealed application.
- For inset applications.



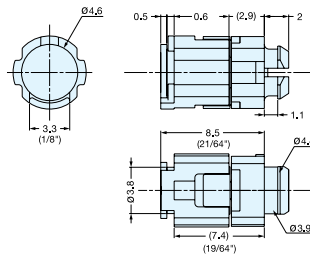
Cut-Out Dimension



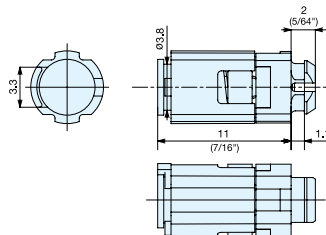
Item No.	Material	Finish	Torque per piece (kgf-cm)	Weight (g)
URD8-3	Polyacetal	Plain	0.22-0.39 (0.19-0.26 lbs-in)	2.5

MICRO DETENT HINGE

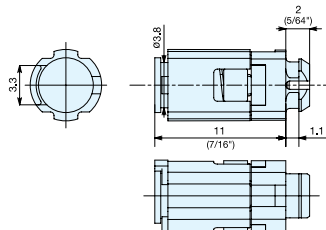
MPH



MPH-20-5



MPH-22



MPH-30

Item No.	Weight (g)	Carton (pcs)	Part Name	Material	Finish
MPH-20-5	0.46 (0.02 oz)	4000	Body	Polyacetal	Grey
MPH-22	0.62 (0.02 oz)		Spindle	Steel	Yellow Zinc Chromate
MPH-30	1.01 (0.04 oz)				

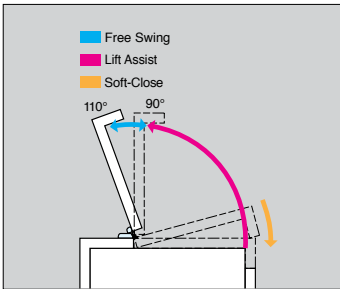
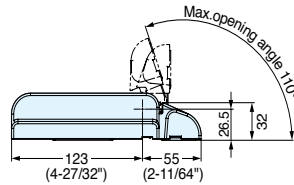
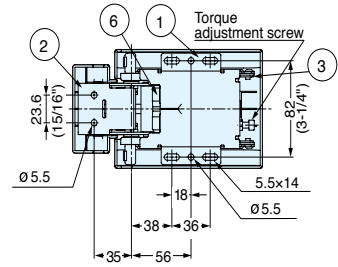
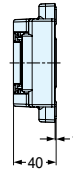
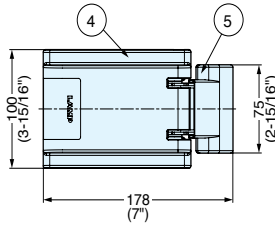
POWER ASSIST HINGE



HG-PA180-9



- Power assist hinge to reduce the effort to open the lid/door.
- External surface mounted.
- Soft closing.
- Torque adjustable ($\pm 11\%$).



No	Part Name	Material	Finish
①	Base A	430 Stainless Steel	Plain
②	Base B		
③	Case	PBT plastic	Light Grey
④	Plastic Cover A		
⑤	Plastic Cover B	Polyacetal	-
⑥	Slider		
-	Spring	Steel	-

Item No.	Torque per piece (kgf-cm)	Weight (g)
HG-PA180-9	91 \pm 10% (79 \pm 10% lbs-in)	800

HINGES
POWER ASSIST HINGES

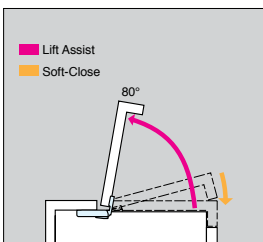
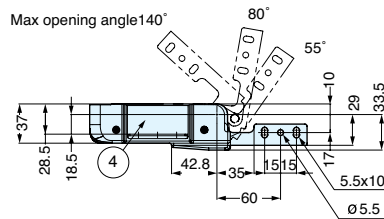
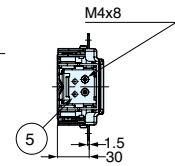
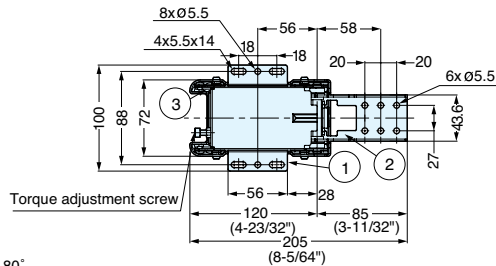
POWER ASSIST HINGE



HG-PA210-9



- Power assist hinge to reduce the effort to open the lid/door.
- Internal under mounted.
- Soft closing
- Torque adjustable ($\pm 11\%$).
- Two optional opening angles at 55 degrees or 80 degrees.



No	Part Name	Material	Finish
①	Base A	430 Stainless Steel	-
②	Base B		
③	Case	Polypropelene	Light Grey
④	Plastic Cover A		
⑤	Angle stopper	430 Stainless Steel	-
-	Slider	Polyacetal	-
-	Spring	Steel	-

Item No.	Torque per piece (kgf-cm)	Weight (g)
HG-PA210-9	91 \pm 10% (79 \pm 10 % lbs-in)	770

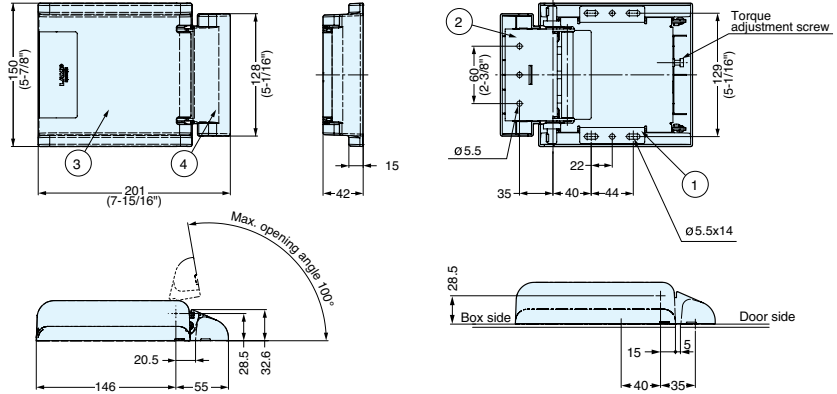
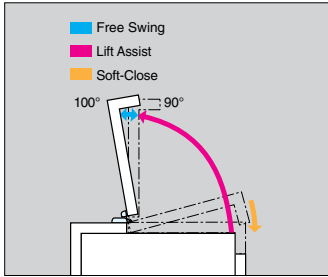
POWER ASSIST HINGE



HG-PA200, HG-PA201



- Power assist hinge to reduce the effort to open the lid/door.
- External surface mounted.
- Soft closing.
- Torque adjustable ($\pm 5\%$)



Item No.	Max Torque Angle	Torque per piece (kgf-cm)	Weight (g)
HG-PA200-15	20°	153 \pm 10% (133 \pm 10 % lbs-in)	1,385
HG-PA200-20		204 \pm 10% (177 \pm 10 % lbs-in)	
HG-PA200-25		255 \pm 10% (222 \pm 10 % lbs-in)	
HG-PA201-15	35°	153 \pm 10% (133 \pm 10 % lbs-in)	
HG-PA201-20		204 \pm 10% (177 \pm 10 % lbs-in)	
HG-PA201-25		255 \pm 10% (222 \pm 10 % lbs-in)	

No	Part Name	Material	Finish
①	Base A	430 Stainless Steel	Plane
②	Base B		
③	Plastic Cover A	PBT plastic	Light Grey
④	Plastic Cover B		
-	Slider	Polyacetal	-
-	Spring	Steel	-

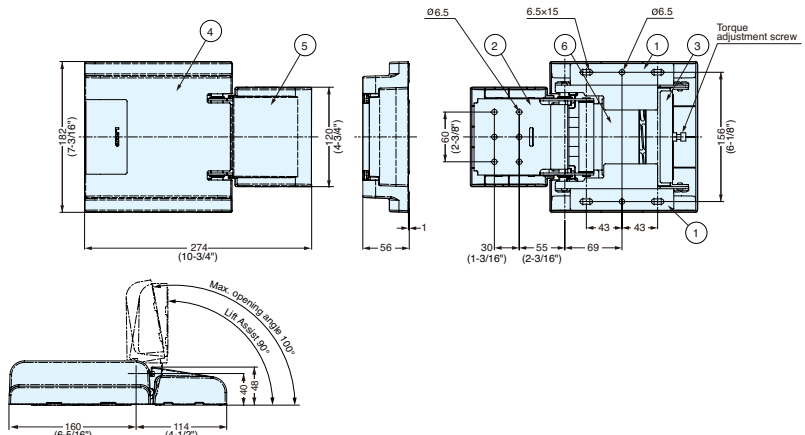
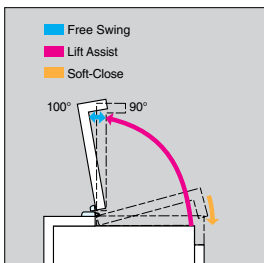
POWER ASSIST HINGE



HG-PA270



- Power assist hinge to reduce the effort to open the lid/door.
- External surface mounted.
- Soft closing.
- Torque adjustable ($\pm 5\%$).



Item No.	Torque per piece (kgf-cm)	Weight (g)
HG-PA270-35	357 \pm 10% (310 \pm 10 % lbs-in)	2,500
HG-PA270-45	459 \pm 10% (400 \pm 10 % lbs-in)	

No	Part Name	Material	Finish
①	Base A	430 Stainless Steel	Plane
②	Base B		
③	Case	PBT plastic	Light Grey
④	Plastic Cover A		
⑤	Plastic Cover B	Polyacetal	-
⑥	Slider		
-	Spring	Steel	-



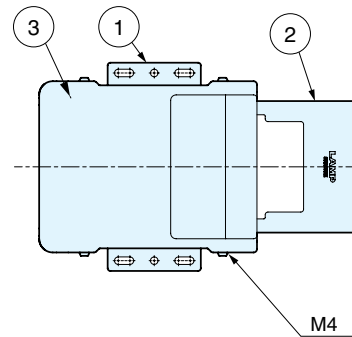
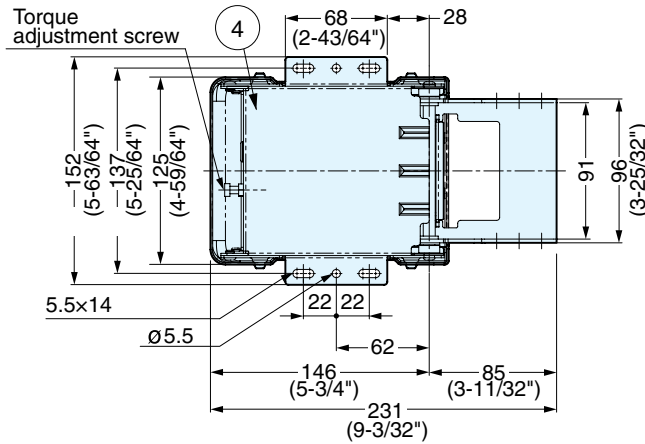
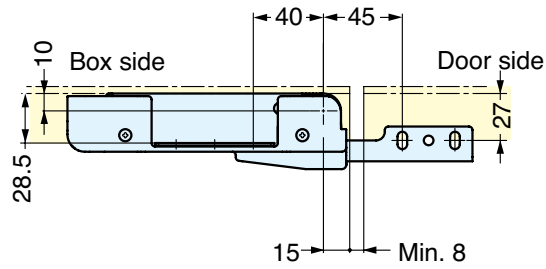
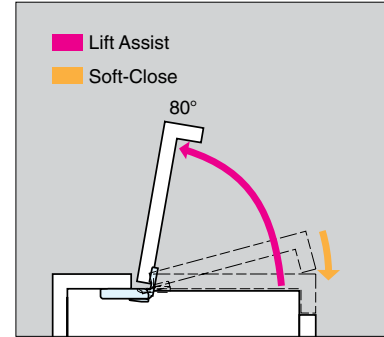
POWER ASSIST HINGE

HG-PA230, HG-PA231

HINGES
POWER ASSIST HINGES



- Power assist hinge to reduce the effort to open the lid/door.
- Internal under mounted.
- Soft closing.
- Torque adjustable ($\pm 11\%$).
- Two optional opening angles at 55 degrees or 80 degrees.



Item No.	Max Torque Angle	Torque per piece (kgf-cm)	Weight (g)
HG-PA230-15	20°	153 \pm 10% (133 \pm 10 % lbs-in)	1,296
HG-PA230-20		204 \pm 10% (177 \pm 10 % lbs-in)	
HG-PA230-25		255 \pm 10% (222 \pm 10 % lbs-in)	
HG-PA231-15	35°	153 \pm 10% (133 \pm 10 % lbs-in)	
HG-PA231-20		204 \pm 10% (177 \pm 10 % lbs-in)	
HG-PA231-25		255 \pm 10% (222 \pm 10 % lbs-in)	

No	Part Name	Material	Finish
①	Base A	430 Stainless Steel	-
②	Base B		
③	Cover	Polypropylene	Light Grey
④	Case	430 Stainless Steel	-
-	Angle stopper		
-	Slider	Polycetal	-
-	Spring	Steel	-

STAINLESS STEEL LIFT ASSIST HINGE



HG-JH210



- Spring assists in opening heavy doors.
- Built-in damper keeps lid from slamming shut.
- Passed private 30,000 open/close cycle tests.
- Maximum torque: 210 kgf-cm (182 lbs-in) per piece.

Moment Formula and Graph

Door Moment $M_t = W \times \frac{L}{2} \times \cos \theta$

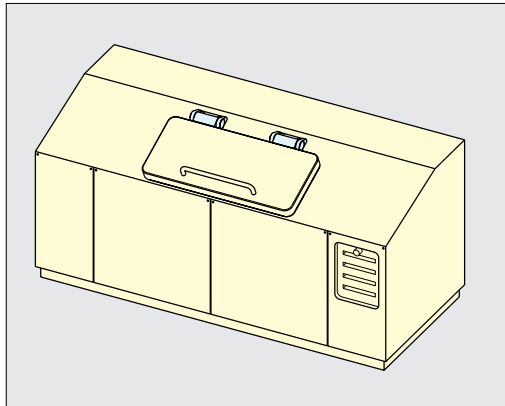
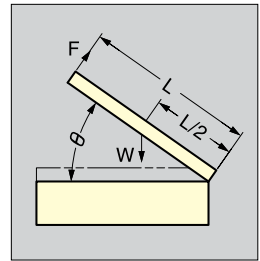
Hinge Moment $M_h = M_m \times (1 - \frac{\theta}{115})$

Torque to lift door $M_z = M_h - M_t$

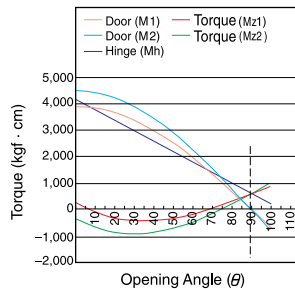
Force to lift door $F = \frac{M_t - M_h}{L}$

W : Door Weight θ : Opening Angle
 L : Door Length M_m : Torque of Assist Hinge

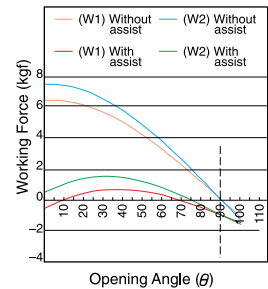
When M_z is:
 "-" shows closing force. "+" shows opening force.



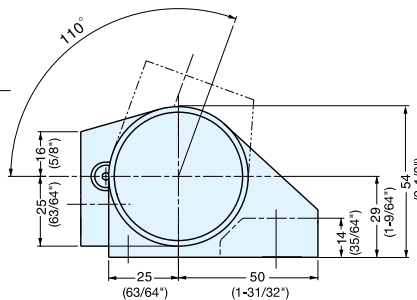
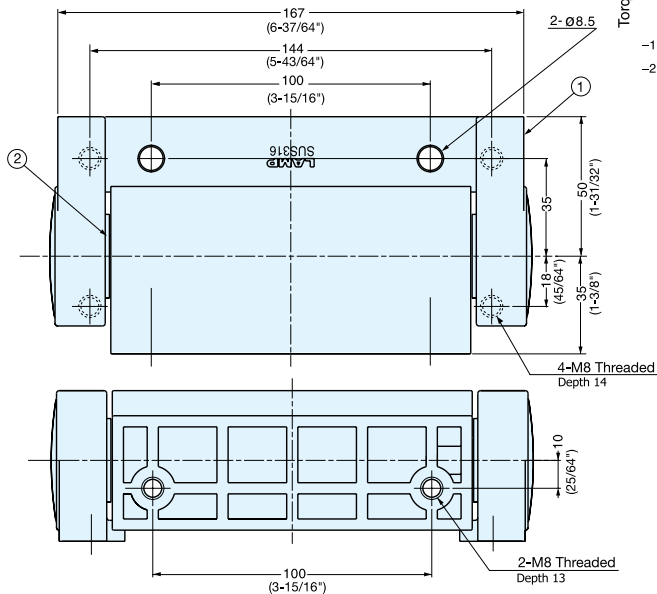
Assist Hinge Moment



Working Force at opening Angle (Compared with No Assist)



*In case of HG-JH210 used in pair. (L: 60cm, W1: 13kg, W2:15kg)



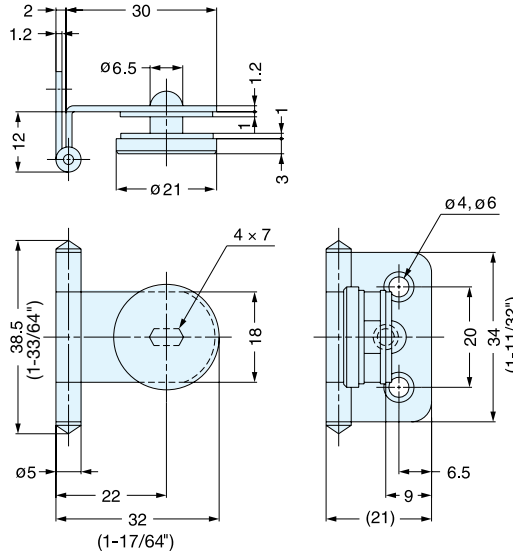
Item No.	Torque per piece (kgf-cm)	Weight (kg)	Box (pcs)	Carton (pcs)
HG-JH210	210 (182 lbs-in)	2.4	1	10

No.	Part Name	Material	Finish
①	Body	316 Stainless Steel	Mirror
②	Built-In Damper	304 Stainless Steel + PBT Plastic	-

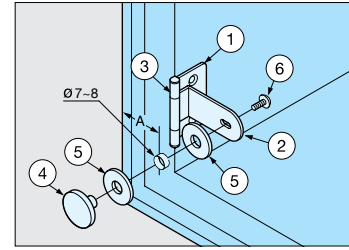
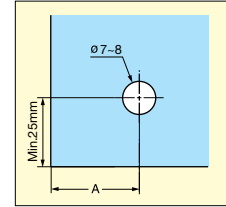
INSET GLASS DOOR HINGE



GH-34/0/S-P



- Hinge for glass/acrylic doors.
- Door thickness: 4-6 mm
- Door weight: Max. 4kg/pair (8.8 lbs/pair)



Glass Thickness	A
4 (5/32")	19
5 (3/16")	18
6 (15/64")	17

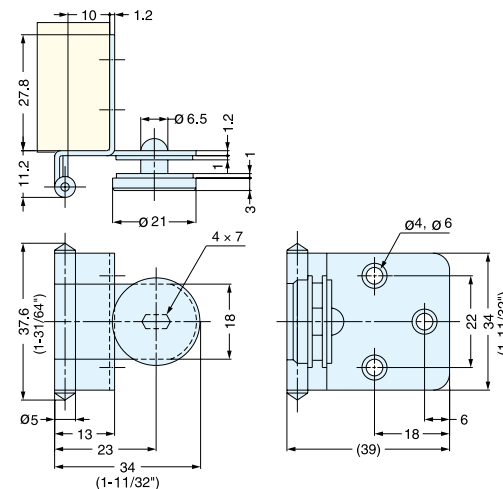
No.	Part Name	Material	Finish
①	Body	304 Stainless Steel	Plain
②	Arm		
③	Hinge Pin		
④	Plate	Aluminum	Anodized
⑤	Washer	Chloroethylene	Clear
⑥	Screw	304 Stainless Steel	Plain

Item No.	Weight (g)	Box (pcs)	Carton (pcs)
GH-34/0/S-P	15	150	900

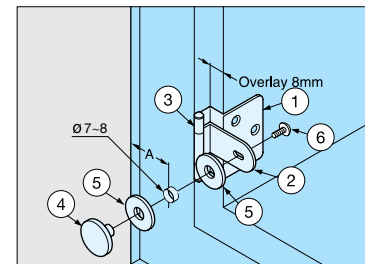
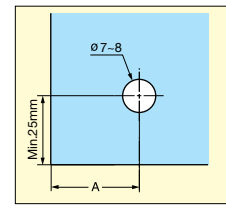
HALF OVERLAY GLASS DOOR HINGE



GH-34/8/S-P



- Hinge for glass/acrylic doors.
- Door thickness: 4-6 mm
- Door weight: Max. 4kg/pair (8.8 lbs/pair)



Glass Thickness	A	Overlay
4 (5/32")	19	8
5 (3/16")	18	7
6 (15/64")	17	6

No.	Part Name	Material	Finish
①	Body	304 Stainless Steel	Plain
②	Arm		
③	Hinge Pin		
④	Plate	Aluminum	Anodized
⑤	Washer	Chloroethylene	Clear
⑥	Screw	304 Stainless Steel	Plain

Item No.	Weight (g)	Box (pcs)	Carton (pcs)
GH-34/8/S-P	21	100	600

INSET GLASS DOOR HINGE



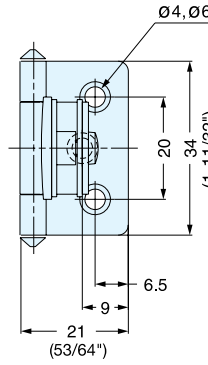
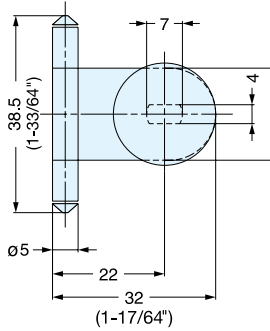
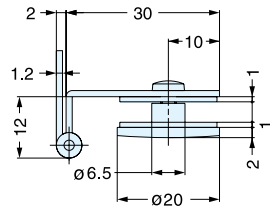
GH-34/0



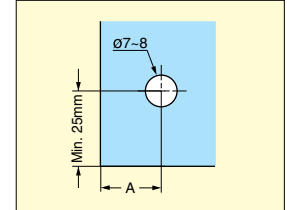
GH-34/0/CR



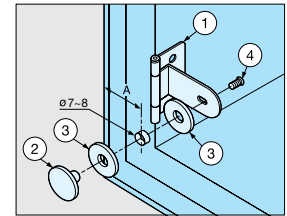
GH-34/0/BL



- Hinge for glass/acrylic doors.
- Door thickness: 4-6 mm
- Door size: Max. W450 x H700 (W17-3/4" x H27-9/16")
- Door weight: Max. 4 kg/pair (8.8 lbs/pair)



Cut Out Dimension



Glass Thickness (mm)	A (mm)
4 (5/32")	19
5 (3/16")	18
6 (15/64")	17

No.	Part Name	Material	Finish
①	Body	Steel	Chrome/Black
②	Plate	Brass	Black
③	Washer	PVC	Clear
④	Screw	Steel	Nickel/Black

Item No.	Weight (g)	Box (pcs)	Carton (pcs)
GH-34/0/CR-P	23.5	150	900
GH-34/0/BL-P			

HALF OVERLAY GLASS DOOR HINGE



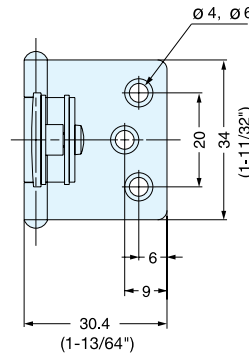
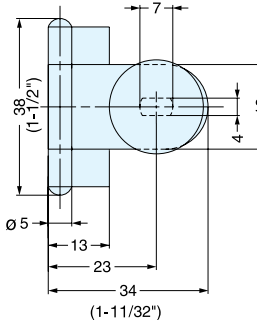
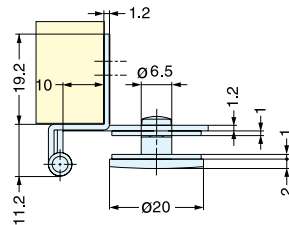
GH-34/8



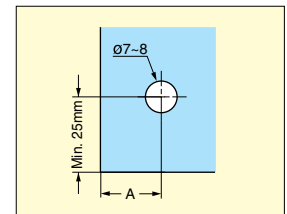
GH-34/8/CR



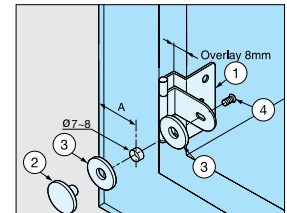
GH-34/8/BL



- Half overlay.
- Hinge for glass/acrylic doors.
- Door thickness: 4-6 mm
- Door size: Max. W450 x H700 (W17-3/4" x H27-9/16")
- Door weight: Max. 4 kg/pair (8.8 lbs/pair)



Cut Out Dimension



Glass Thickness (mm)	A (mm)	Overlay (mm)
4 (5/32")	19	8
5 (3/16")	18	7
6 (15/64")	17	6

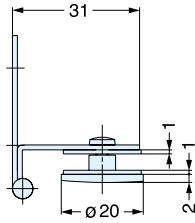
No.	Part Name	Material	Finish
①	Body	Steel	Chrome/Black
②	Plate	Brass	Black
③	Washer	PVC	Clear
④	Screw	Steel	Nickel/Black

Item No.	Weight (g)	Box (pcs)	Carton (pcs)
GH-34/8/CR-P	25	50	500
GH-34/8/BL-P			

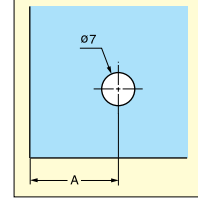
INSET GLASS DOOR LIFT-OFF HINGE



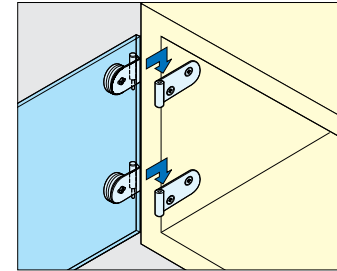
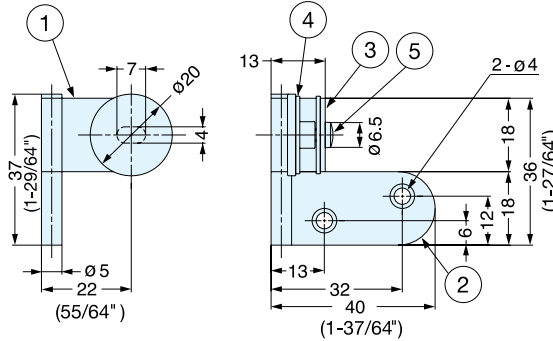
GH-36/NCR



- Lift-off hinge for glass/acrylic doors.
- Door thickness: 4-6 mm
- Door size: Max. W450 x H700 (W17-3/4" x H27-9/16")
- Door weight: Max. 4kg/pair (8.8 lbs/pair)



Cut Out Dimension



Glass Thickness	A
4 (5/32")	20
5 (3/16")	
6 (15/64")	

No.	Part Name	Material	Finish
①	Body	Steel	Chrome
②			
③	Plate	Brass	
④	Washer	Chloroethylene	Clear
⑤	Screw	Steel	Nickel

Item No.	Weight (g)	Box (pcs)	Carton (pcs)	
GH-36/NCRL	GH-36/NCRR	24.5	100	400

HALF OVERLAY GLASS DOOR HINGE (W/CATCH)



GHC-34/8



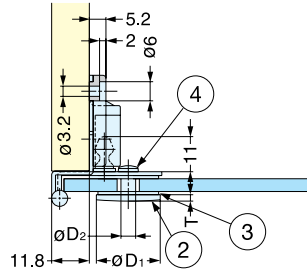
GHC-34/8/CR



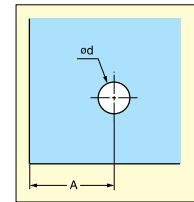
GHC-34/8/BLK



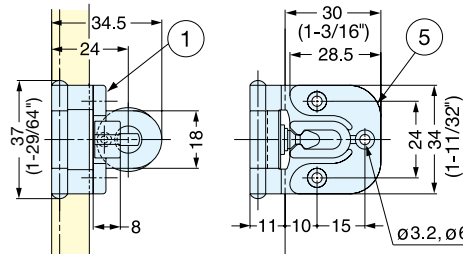
GHC-34/8/PB



- Hinge will hold door in closed position without secondary support.
- Door thickness: 4-6 mm
- Door size: Max. W450 x H700 (W17-3/4" x H27-9/16")
- Door weight: Max. 4kg/pair (8.8 lbs/pair)



Cut Out Dimension



Glass Thickness	A	Overlay
4 (5/32")	19	7
5 (3/16")	18	6
6 (15/64")	17	5

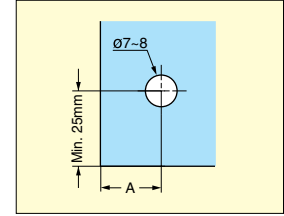
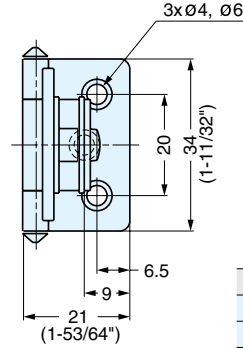
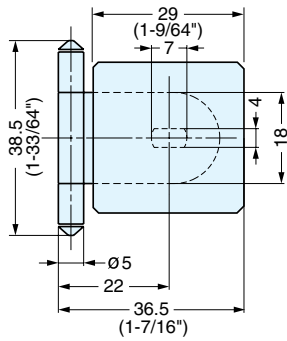
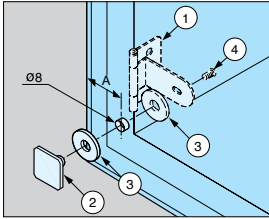
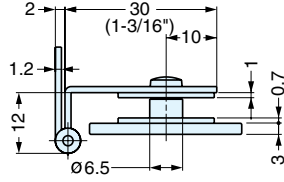
No.	Part Name	Material	Finish	
①	Body	GHC-34/8/BLK	304 Stainless Steel	Black
		GHC-34/8/CR	Steel	Chrome
		GHC-34/8/PB		Polished Brass
②	Plate	GHC-34/8/BLK	Aluminum	Black
		GHC-34/8/CR	Brass	Chrome
	GHC-34/8/PB			Polished Brass
③	Washer	Chloroethylene	Clear	
④	Screw	Steel	Nickel	
⑤	Catch	Polyacetal	Black	

Item No.	D ₁	D ₂	d	T	Weight (g)	Box (pcs)	Carton (pcs)
GHC-34/8/CR	20	6.5	8	2	36	40	600
GHC-34/8/PB							
GHC-34/8/BLK	21	8.0	10	3	32		

INSET GLASS DOOR HINGE



GH-34-0CR-K



Cut Out Dimension

- Hinge for glass/acrylic doors.
- Door thickness: 4-6 mm.
- Door size: Max. W450 × H700 (W17-3/4" × H27-9/16")
- Door weight: Max. 4 kg/pair (8.8 lbs/pair)
- Rounded plate GH-34/0/CR-P is available.

Glass Thickness (mm)	A (mm)
4 (5/32")	19
5 (3/16")	18
6 (15/64")	17

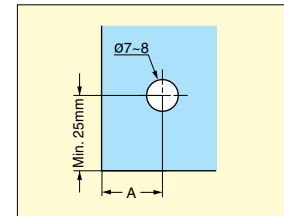
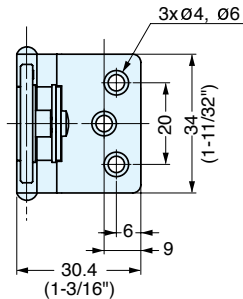
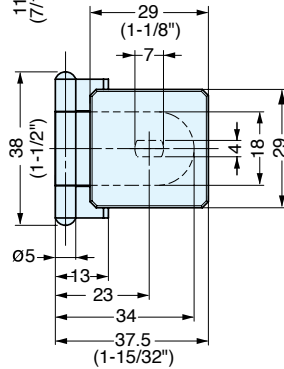
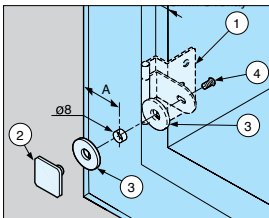
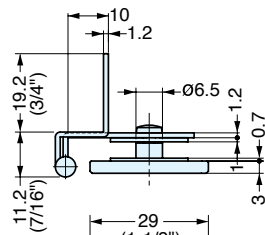
No.	Part Name	Material	Finish/Color
①	Body	Steel	Chrome
②	Plate	Zinc Alloy	
③	Washer	PVC	Clear
④	Screw	Steel	Nickel

Item No.	Weight (g)	Box (pcs)	Carton (pcs)
GH-34-0CR-K	34	150	900

HALF OVERLAY GLASS DOOR HINGE



GH-34-8CR-K



Cut Out Dimension

- Half overlay.
- Hinge for glass/acrylic doors.
- Door thickness: 4-6 mm.
- Door size: Max. W450 × H700 (W17-3/4" × H27-9/16")
- Door weight: Max. 4 kg/pair (8.8 lbs/pair)
- Rounded plate GH-34/8/CR is available.

Glass Thickness (mm)	A (mm)	Overlay (mm)
4 (5/32")	19	8
5 (3/16")	18	7
6 (15/64")	17	6

No.	Part Name	Material	Finish/Color
①	Body	Steel	Chrome
②	Plate	Zinc Alloy	
③	Washer	PVC	Clear
④	Screw	Steel	Nickel

Item No.	Weight (g)	Box (pcs)	Carton (pcs)
GH-34-8CR-K	37	50	500

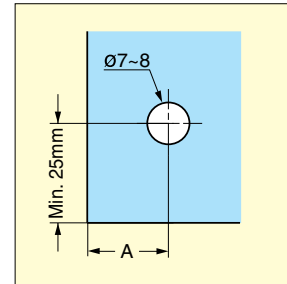
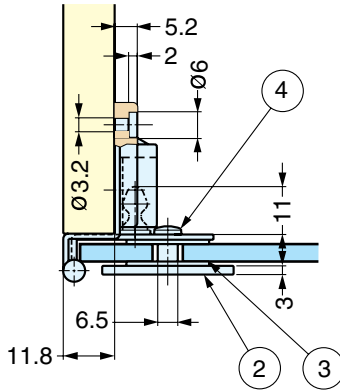
HALF OVERLAY GLASS DOOR HINGE (W/CATCH)



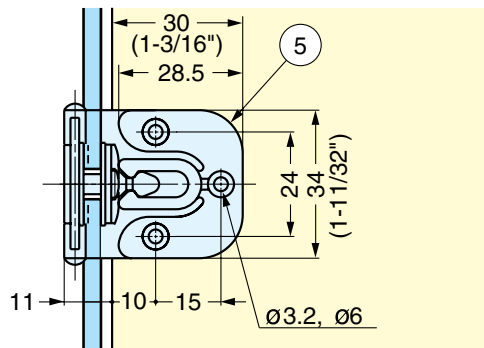
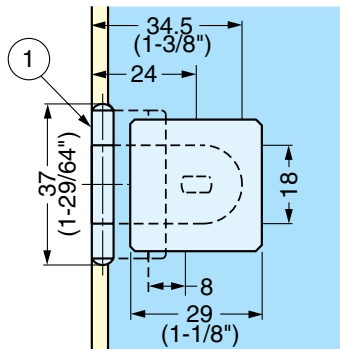
GHC-34-8CR-K



- Half overlay.
- Hinge for glass/acrylic doors.
- Door thickness: 4-6 mm.
- Door size: Max. W450 x H700 (W17-3/4" x H27-9/16")
- Door weight: Max. 4 kg/pair (8.8 lbs/pain)
- Rounded plate GHC-34/8/CR is available.



Cut Out Dimension



Glass Thickness (mm)	A (mm)	Overlay (mm)
4 (5/32")	19	7
5 (3/16")	18	6
6 (15/64")	17	5

No.	Part Name	Material	Finish/Color
①	Body	Steel	Chrome
②	Plate	Zinc Alloy	Chrome
③	Washer	PVC	Clear
④	Screw	Steel	Nickel
⑤	Stopper	Polyacetal (POM)	Black

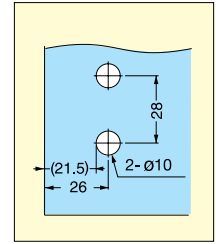
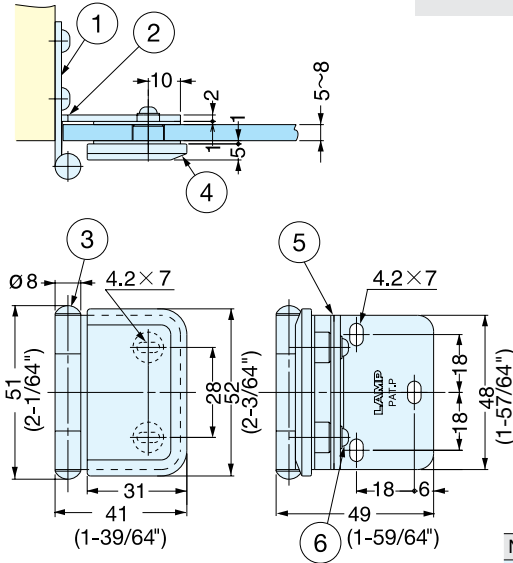
Item No.	Weight (g)	Box (pcs)	Carton (pcs)
GHC-34-8CR-K	43	40	600

INSET GLASS DOOR HINGE



XL-GH03-48-0

- Medium size hinge for glass/acrylic doors.
- Door thickness: 5~8 mm
- Door size: Max. W650 x H900 (W25-19/32" x H35-7/16")
- Door weight: Max. 12 kg/pair (26.4 lbs/pair)



Cut Out Dimension

Item No.	Weight (g)	Box (pcs)	Carton (pcs)
XL-GH03-48-0CR	129	10	100

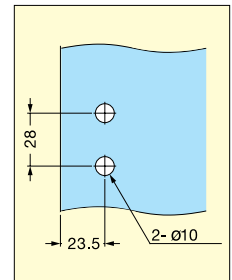
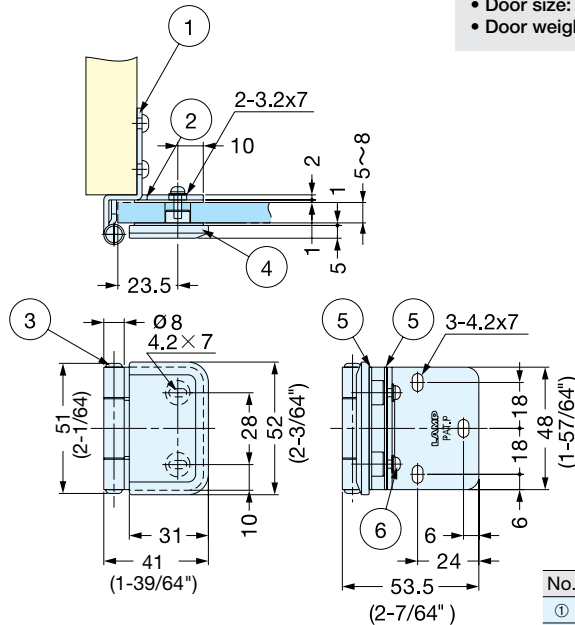
No.	Part Name	Material	Finish
①	Body	304 Stainless Steel	Mirror
②	Arm		Plain, Mirror
③	Hinge Pin	Zinc Alloy	Chrome
④	Plate		Natural
⑤	Pad	Polyethylene	Natural
⑥	Screw	304 Stainless Steel	-

HALF OVERLAY GLASS DOOR HINGE



XL-GH03-48-8

- Half overlay Medium size hinge for glass/acrylic doors.
- Door thickness: 5~8 mm
- Door size: Max. W650 x H900 (W25-19/32" x H35-7/16")
- Door weight: Max. 12 kg/pair (26.4 lbs/pair)



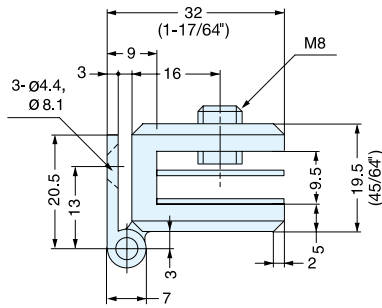
Cut Out Dimension

Item No.	Weight (g)	Box (pcs)	Carton (pcs)
XL-GH03-48-8CR	129	10	100

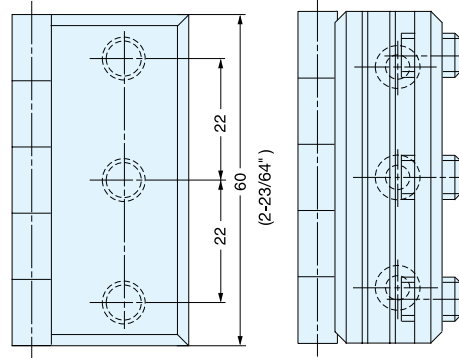
No.	Part Name	Material	Finish
①	Body	304 Stainless Steel	Mirror
②	Arm		Plain, Mirror
③	Hinge Pin	Zinc Alloy	Chrome
④	Plate		Natural
⑤	Pad	Polyethylene	Natural
⑥	Screw	304 Stainless Steel	-

GLASS DOOR HINGE

XL-GH01-600



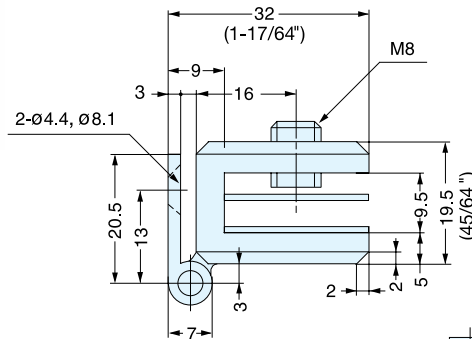
- Pre-drilling on glass/acrylic not required.
- Door thickness: 4~8 mm
- Door size: Max. W450 x H1300 mm (W17-3/4" x H51-3/16")
- Please use 2 spacers for 4 mm door thickness.
- Door Weight Max: 11 kg/pair (24 lbs/pair)



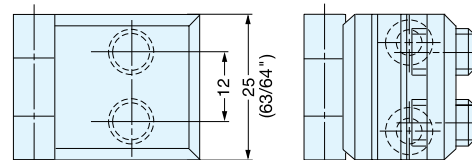
Item No.	Weight (g)	Box (pcs)	Carton (pcs)	Material	Finish
XL-GH01-600	180	10	50	304 Stainless Steel	Polished

GLASS DOOR HINGE

XL-GH01-250



- Pre-drilling on glass/acrylic not required.
- Door thickness: 4~8 mm
- Door size: Max. W400 x H600 mm (W15-3/4" x H23-5/8")
- Please use 2 spacers for 4 mm door thickness.
- Door Weight Max: 4.8 kg/pair (10.5 lbs/pair)



Item No.	Weight (g)	Box (pcs)	Carton (pcs)	Material	Finish
XL-GH01-250	76	10	100	304 Stainless Steel	Polished

CONCEALED HINGE (CLIP-ON)



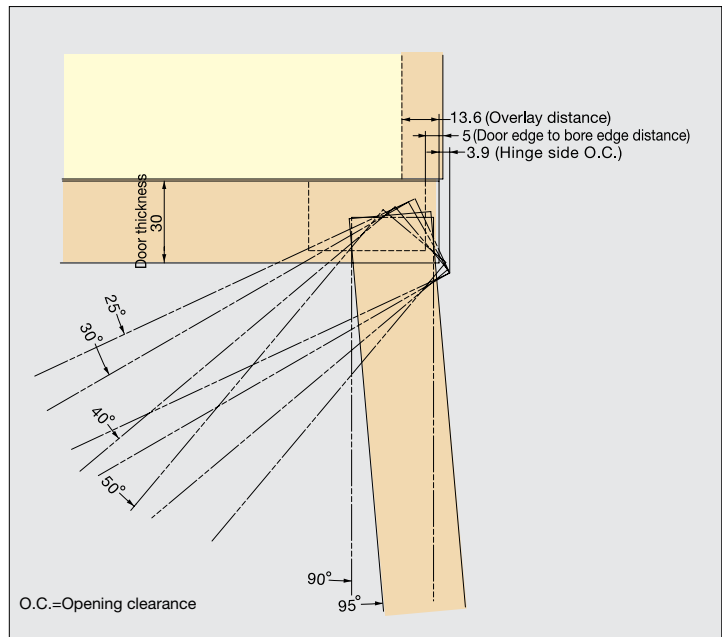
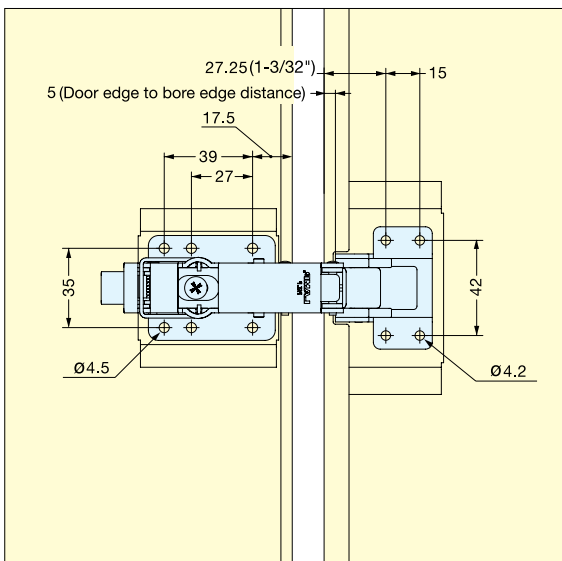
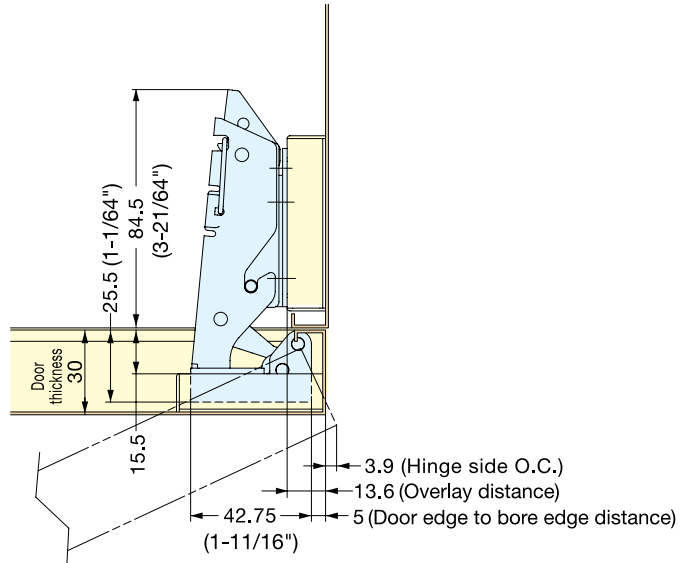
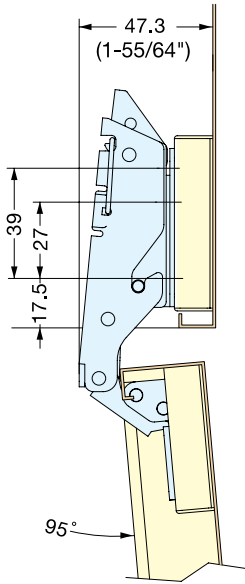
H95TS

HINGES

CONCEALED HINGES



- 95° opening concealed hinge.
- Clip-on feature allows easy door installation/removal.
- Safety lock feature.
- Door opens without interfering side cabinets.
- Ideal when 2 doors are close together.
- Hinge body and mounting plate sold separately.



Item No.	Weight (g)	Carton (pcs)	Item No.	Part Name	Material	Finish
H95TSH	149	100	H95TSH	Body	Steel	Nickel
H95TSZ	94		H95TSZ	Mounting Plate		

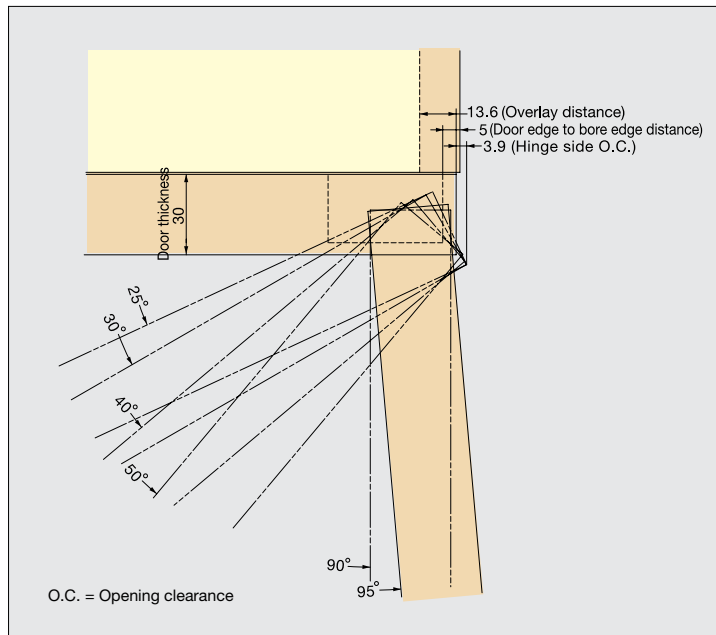
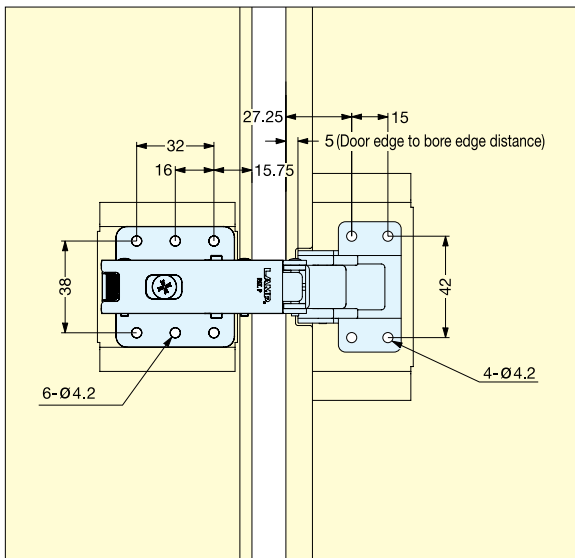
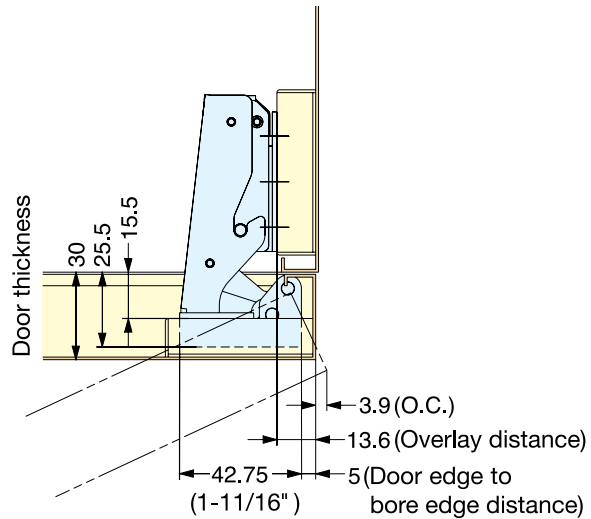
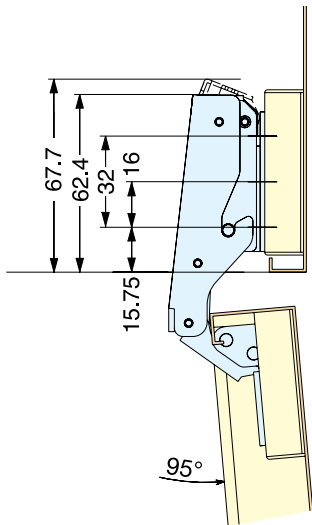
CONCEALED HINGE (CLIP-ON)



H95TM



- 95° opening concealed hinge.
- Clip-on feature allows easy door installation/removal.
- Door opens without interfering side cabinets.
- Ideal when 2 doors are close together.
- Hinge body and mounting plate sold separately.



Item No.	Weight (g)	Carton (pcs)	Item No.	Part Name	Material	Finish
H95TMH	138	100	H95TMH	Body	Steel	Nickel
H95TMZ	81		H95TMZ	Mounting Plate		

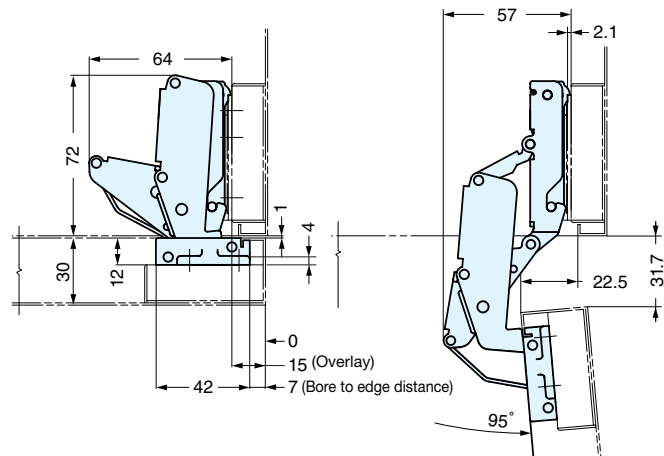
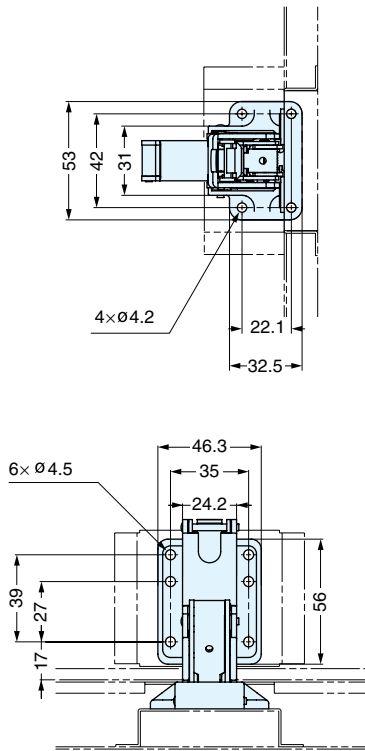
CONCEALED HINGES



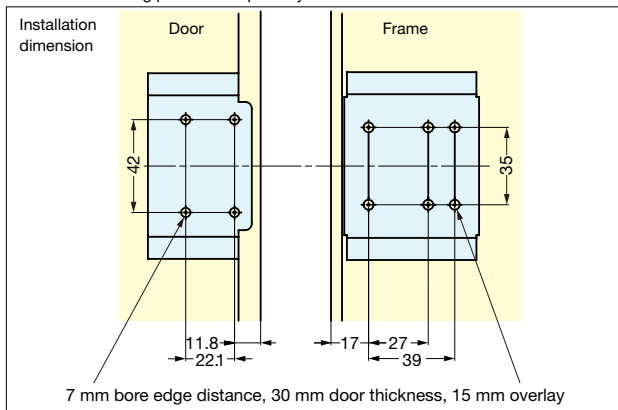
HT-160T



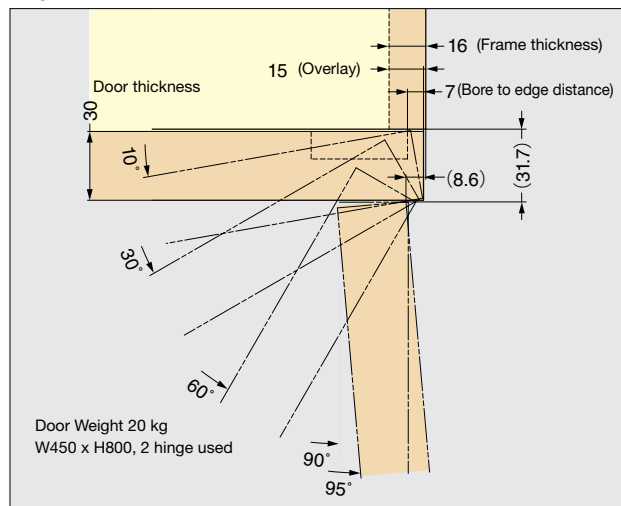
- 95° opening concealed hinge.
 - CLIP-ON feature allows easy door installation/removal.
 - Surface mounted for use with sheet metal applications.
 - Ideal when 2 doors are close together.
 - Door opens without interfering with side cabinets.
 - Mounting plate HT-160TZ sold separately.
- ORDERING INSTRUCTIONS:**
- CLIP-ON: ORDER HT-160THV2 & HT-160TZ for complete set.
 - Without CLIP-ON feature: order HT-160V2 (mounting plate attached to hinge).



HT-160TZ mounting plate sold separately



Range of motion



Item No.	Weight (g)	Carton (pcs)
HT-160THV2	205	100
HT-160TZ	69	200

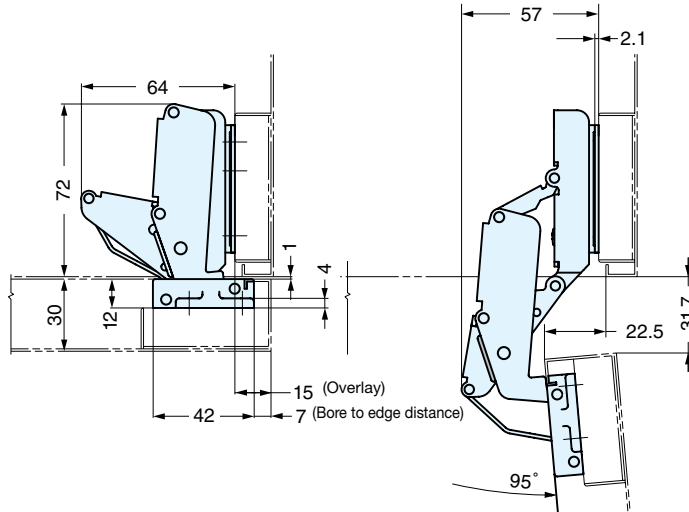
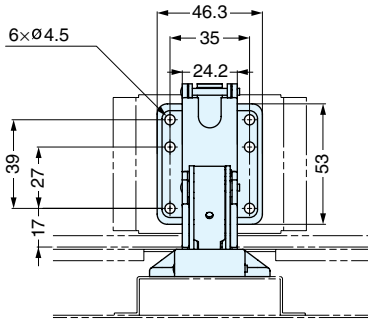
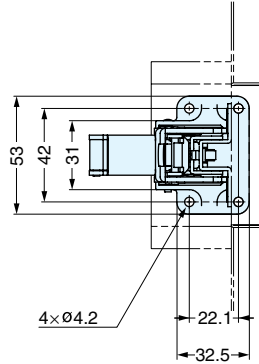
Item No.	Part Name	Material	Finish/Color
HT-160THV2	Plate	Zinc Alloy	Nickel
	Body	Steel	
	Spacer	Polyacetal	Black
HT160TZ	Mounting Plate	Steel	Nickel

CONCEALED HINGE

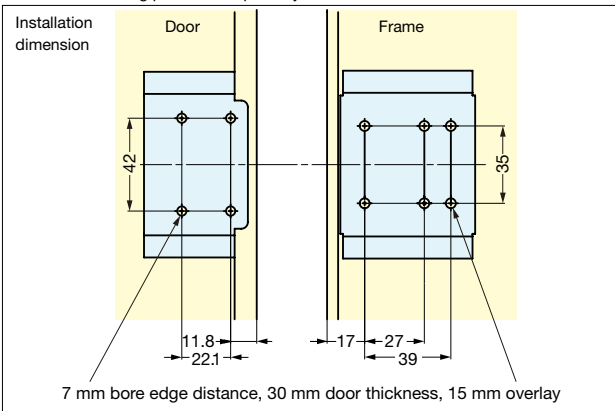


HT-160V2

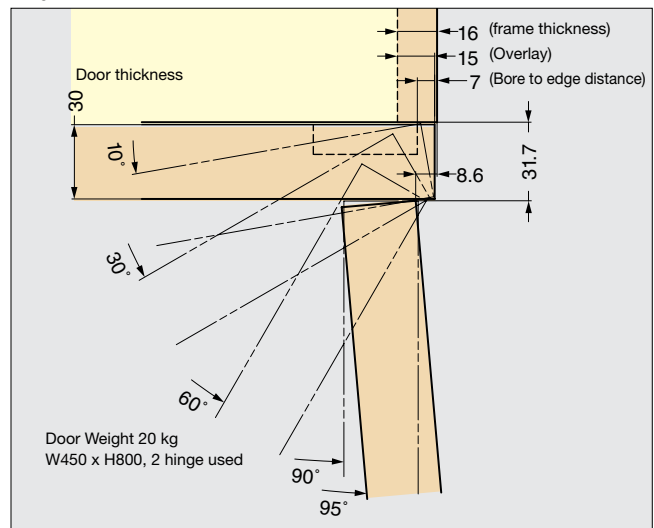
- For use with sheet metal applications.
- Overlay adjustment from 1-3 mm.
- Ideal for when 2 doors are close together.



HT-160TZ mounting plate sold separately



Range of motion



Item No.	Weight (g)	Part Name	Material	Finish/Color
HT-160V2	253	Plate	Zinc Alloy	Nickel
		Body	Steel	
		Spacer	Polyacetal	Black

CONCEALED HINGE (W/STAY)

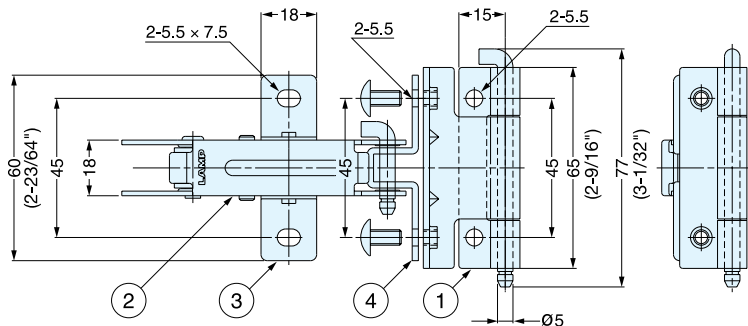
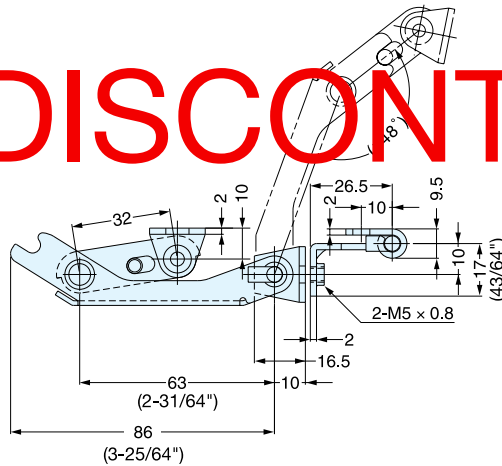


HG-YS65C



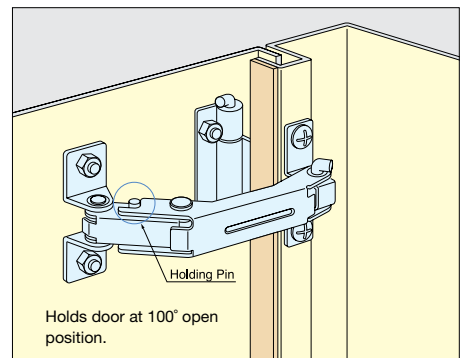
- Combination of hinge and stay.
- Designed for sheet metal applications.
- Stay holds door at 100° open position.
- Removable pin (included) allows for easy door installation/removal.
- Holding force: 30 kgf-cm/piece (26 lbs-in/piece)
- Door weight: Max. 10 kg/pair (22 lbs/pair)
- Ring retainer for pins not included.

****DISCONTINUED**



Preparation

A	B	C
20	19	8.5
21	20	9.5
22	21	10.5
23	22	11.5
24	23	12.5
25	24	13.5



Item No.	Weight (g)	Box (pcs)	Carton (pcs)
HG-YS65C	190	10	100

No.	Part Name	Material	Finish
①	Hinge	304 Stainless Steel	Polished
②	Stay		
③	Bracket		
④	Hinge Bracket		

HEAVY DUTY CONCEALED HINGE (INSET)

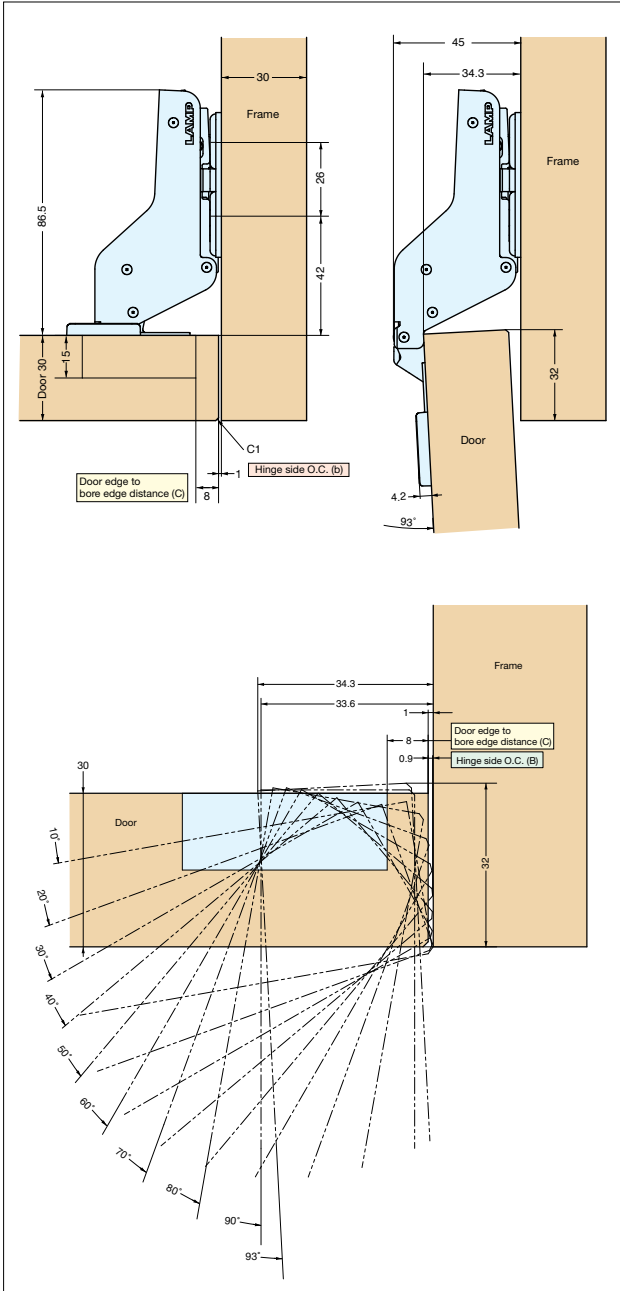


J95-24/0T, J95-C24/0T



- Load capacity: 25 kg (55 lbs)/2pcs, 40kg (88 lbs)/3pcs.
- Maximum door width: 800 mm (31-1/2")/2 pcs, 900mm (35-7/16")/3 pcs.
- Clip on type for easy installation.
- 3-way adjustment with door installed.
- Requires 6 M5 or equivalent (US#10) screws: 2 pcs for each hinge, and 4 pcs for each mounting plate.
- Optional hinge cover (J95SC-0GR) and mounting plate cover (J95ZC-GR) available.
- Glass face plate (GH-J95FP) also available.

[Wood Application]



J95ZC-GR
Mounting Plate Cover
Sold Separately



*J95SC-25GR
pictured above
J95SC-25GR
Safety Cover
Sold Separately

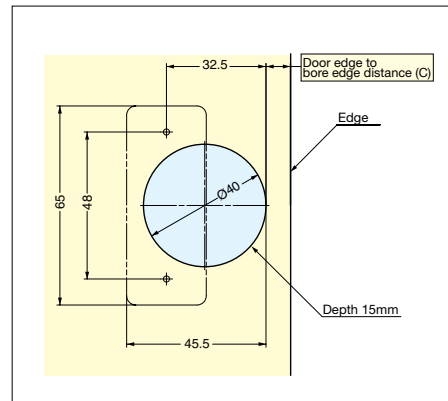
■ Door edge to bore edge distance (C) and Hinge side O.C. (b) Table 1.

Door edge to bore edge distance (C)	3	4	5	6	7	8
Hinge side O.C. (b)	6	5	4	3	2	1

■ Hinge side opening clearance chart Table 2.

Door thickness (D)	Door edge to bore edge distance (C)					
	3	4	5	6	7	8
18	0	0	0	0	0	0
20	0	0	0	0	0	0
22	0.1	0.1	0.1	0.1	0.1	0.1
24	0.1	0.1	0.1	0.1	0.1	0.1
26	0.3	0.3	0.3	0.3	0.3	0.3
28	1.7	1.1	0.6	0.5	0.5	0.5
30	3.5	2.9	2.3	1.8	1.0	0.9
32	5.4	4.7	4.1	3.6	3.0	2.5
34	7.3	6.0	6.0	5.4	4.8	4.3
Hinge side O.C. (B)						

*If the door thickness is over 30mm (1-3/16") the door will need to be chamfered.



Bore Dimensions

Item No.	Type	Weight (g)	Box (pcs)	Carton (pcs)
J95-24/0T	Free Swing	148	10	50
J95-C24/0T	Self-Closing	160		

Material	Finish
Steel	Nickel

*Requires J95-P6T Mounting plate sold separately

HEAVY DUTY CONCEALED HINGE (INSET)

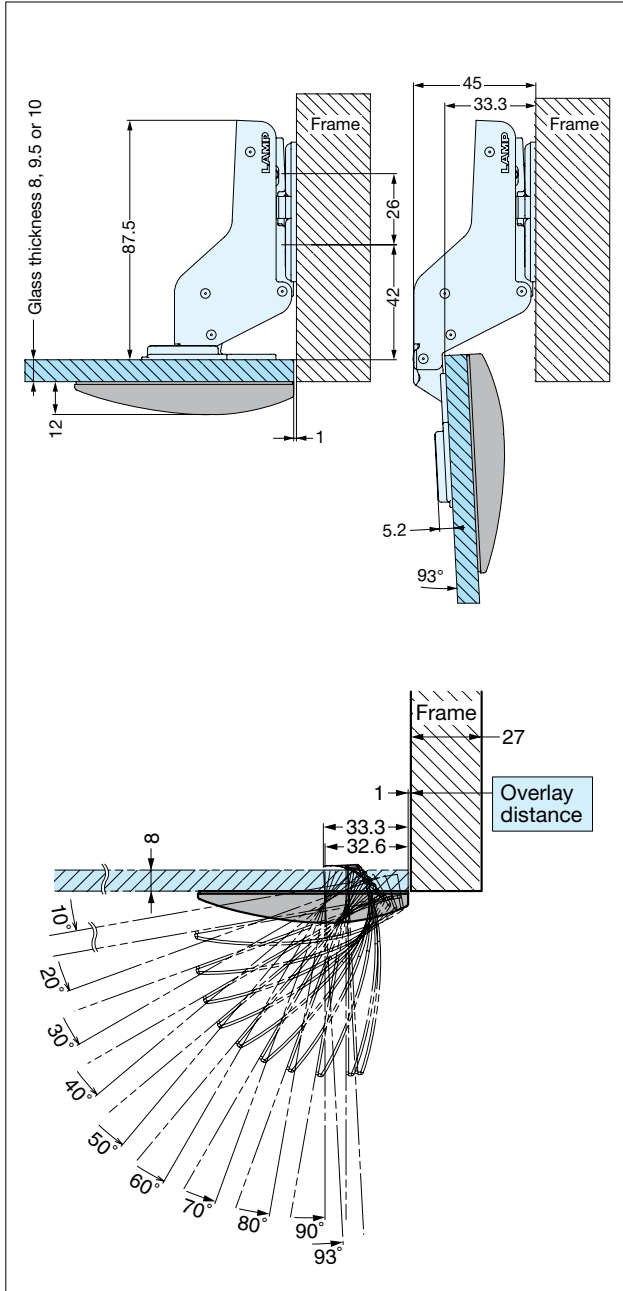


J95-24/0T, J95-C24/0T



- Load capacity: 25 kg (55 lbs)/2 pcs, 35 kg (77 lbs)/3 pcs.
- Maximum door width: 800 mm (31-1/2")/2 pcs.
- Clip on type for easy installation.
- 3-way adjustment with door installed.
- Requires 6 M5 or equivalent (US#10) screws: 2 pcs for each hinge, and 4 pcs for each mounting plate.
- Optional hinge cover (J95SC-0GR) and mounting plate cover (J95ZC-GR) available.
- Glass face plate (GH-J95FP) required for glass door application.

[Glass/Acrylic Application]



GH-J95FP
Glass Face Plate
Sold Separately



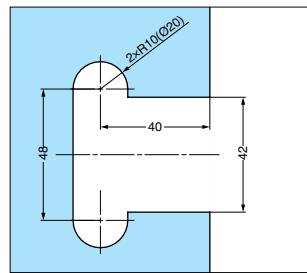
J95ZC-GR
Mounting Plate Cover
Sold Separately



*J95SC-25GR
pictured above
J95SC-0GR
Safety Cover
Sold Separately

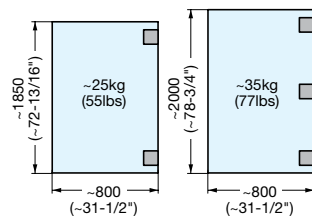
■ Hinge side opening clearance chart

Glass thickness (D)	Hinge side O.C.
8	0
9.5 (3/8")	0
10	0

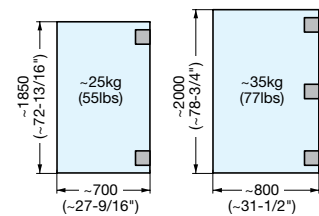


Bore Dimensions

■ Glass thickness 8mm



■ Glass thickness 10mm



Item No.	Type	Weight (g)	Box (pcs)	Carton (pcs)
J95-24/0T	Free Swing	148	10	50
J95-C24/0T	Self-Closing	160		

Material	Finish
Steel	Nickel

*For a complete glass set, you must order: J95 hinge + J95-P6T mounting plate + GH-J95FP faceplate.

HEAVY DUTY CONCEALED HINGE (25mm OVERLAY)

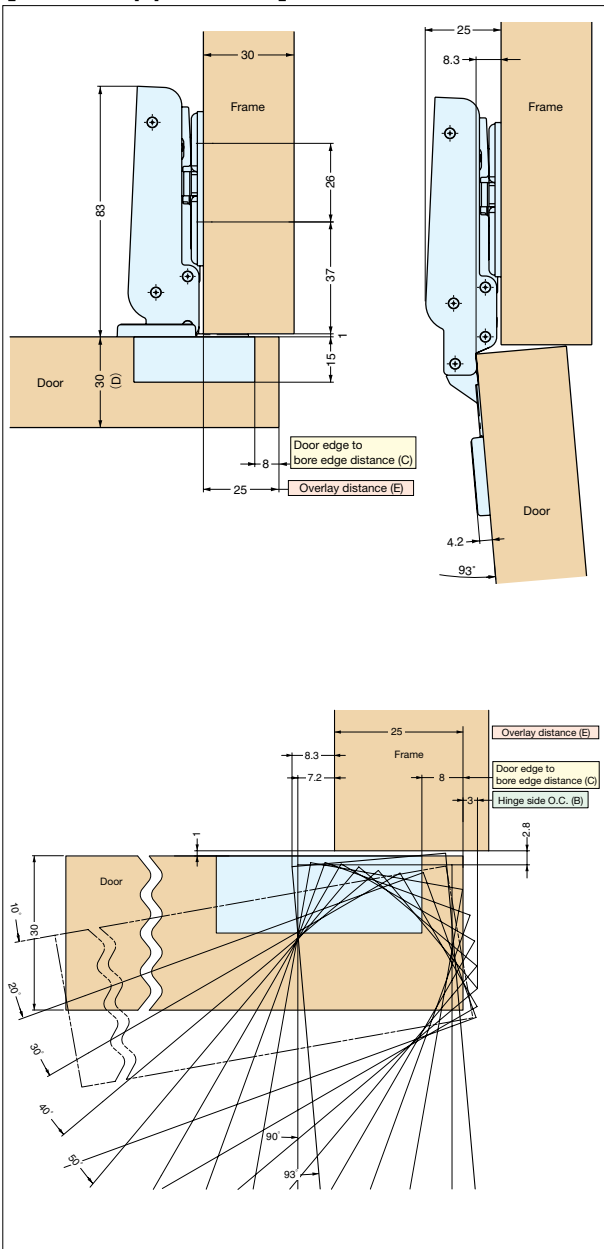


J95-24/25T, J95-C24/25T



- Load capacity: 25 kg (55 lbs)/2pcs, 40 kg (88 lbs)/3 pcs.
- Maximum door width: 800 mm (31-1/2")/2 pcs, 900 mm (35-7/16")/3 pcs.
- Clip on type for easy installation.
- 3-way adjustment with door installed.
- Requires 6 M5 or equivalent (US#10) screws: 2 pcs for each hinge, and 4 pcs for each mounting plate.
- Optional hinge cover (J95SC-25GR) and mounting plate cover (J95ZC-GR) available.
- Glass face plate (GH-J95FP) also available.

[Wood Application]



J95ZC-GR
Mounting Plate Cover
Sold Separately



J95SC-25GR
Safety Cover
Sold Separately

■ Door edge to bore edge distance (C) and Overlay distance (E) Table 1.

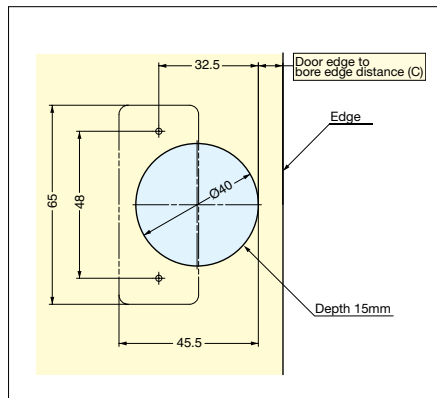
Door edge to bore edge distance (C)	3	4	5	6	7	8
Overlay distance (E)	20	21	22	23	24	25

■ Hinge side opening clearance chart Table 2.

Door thickness (D)	Door edge to bore edge distance (C)					
	3	4	5	6	7	8
18	0.3	0.3	0.3	0.3	0.3	0.3
20	0.5	0.5	0.5	0.5	0.5	0.5
22	0.8	0.8	0.8	0.7	0.7	0.7
24	1.1	1.1	1.1	1.1	1.1	1.1
26	1.7	1.6	1.6	1.5	1.5	1.5
28	3.2	2.8	2.5	2.2	2.1	2.0
30	5.0	4.5	4.0	3.6	3.3	3.0
32	6.8	6.2	5.7	5.2	4.8	4.4
34	8.6	8.0	7.5	6.9	6.5	6.0
Hinge side O.C. (B)						

*Mounting Plate sold separately.

*If the door thickness is over 30mm (1-3/16") the door will need to be chamfered.



Bore Dimensions

*Requires J95-P6T Mounting plate sold separately

Item No.	Type	Weight (g)	Box (pcs)	Carton (pcs)	Part Name	Material	Finish
J95-24/25T	Free Swinging	131	10	100	Plate	Zinc Alloy	Nickel
J95-C24/25T	Self-Closing	143			Body	Steel	

HEAVY DUTY CONCEALED HINGE (25mm OVERLAY)

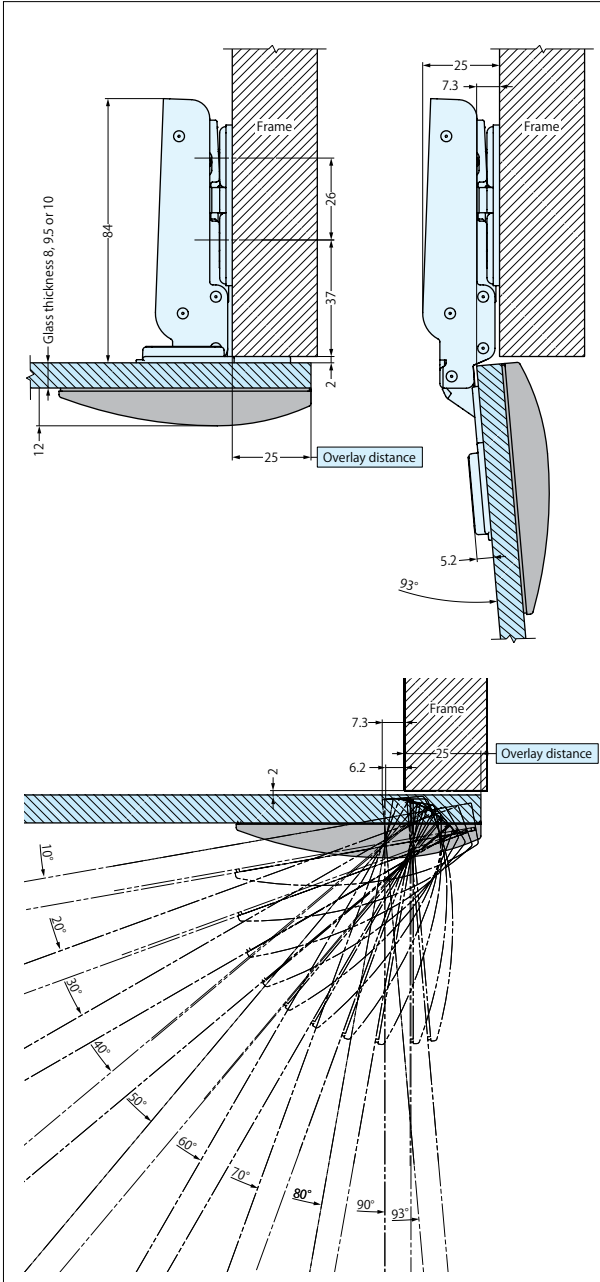


J95-24/25T, J95-C24/25T



- Load capacity: 25 kg (55 lbs)/2 pcs, 35 kg (77 lbs)/3 pcs.
- Maximum door width: 800 mm (31-1/2")/2 pcs.
- Clip on type for easy installation.
- 3-way adjustment with door installed.
- Requires 6 M5 or equivalent (US#10) screws: 2 pcs for each hinge, and 4 pcs for each mounting plate.
- Optional hinge cover (J95SC-25GR) and mounting plate cover (J95ZC-GR) available.
- Glass face plate (GH-J95FP) also available.

[Glass Application]



GH-J95FP
Glass Face Plate
Sold Separately



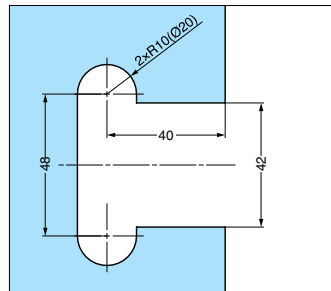
J95ZC-GR
Mounting Plate Cover
Sold Separately



J95SC-25GR
Safety Cover
Sold Separately

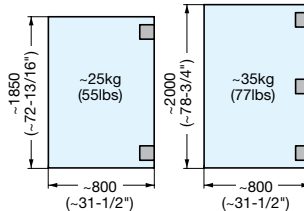
■ Hinge side opening clearance chart

Glass thickness (D)	Hinge side O.C.
8	0
9.5 (3/8")	0
10	0

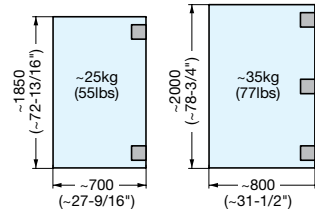


Bore Dimensions

■ Glass thickness 8mm



■ Glass thickness 10mm



*Requires J95-P6T Mounting plate sold separately

Item No.	Type	Weight (g)	Box (pcs)	Carton (pcs)	Part Name	Material	Finish
J95-24/25T	Free Swinging	131	10	100	Plate	Zinc Alloy	Nickel
J95-C24/25T	Self-Closing	143			Body	Steel	

HEAVY DUTY CONCEALED HINGE (16mm OVERLAY)

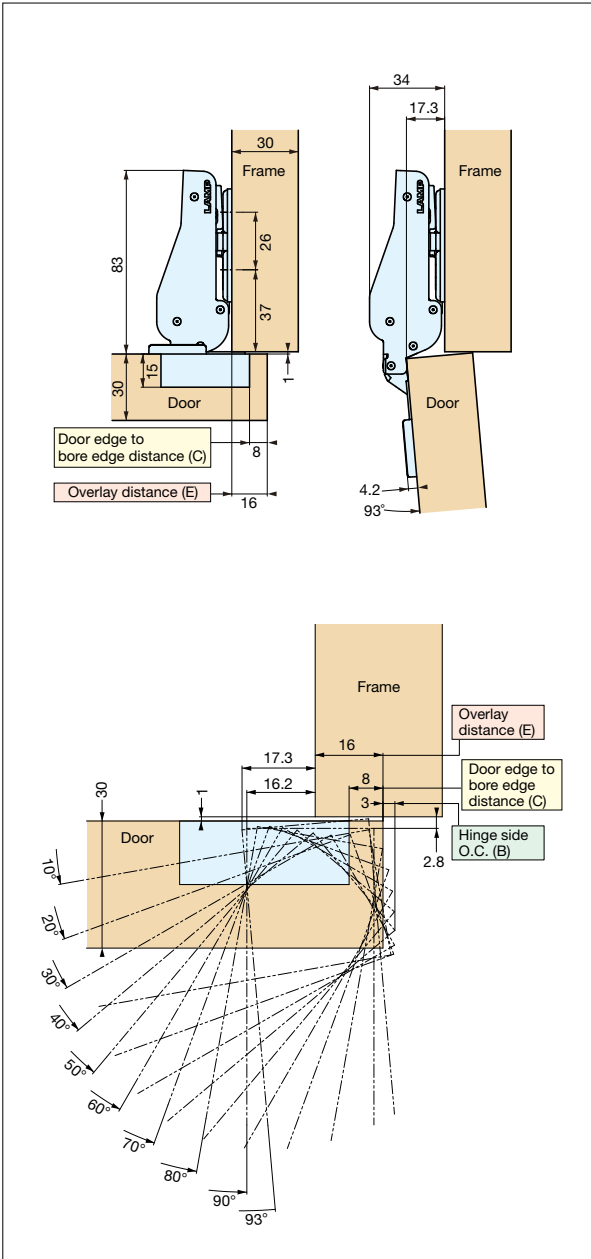


J95-24/16T, J95-C24/16T



- Load capacity: 25 kg (55 lbs) / 2 pcs, 40 kg (88 lbs) / 3 pcs.
- Maximum door width: 800 mm (31-1/2") / 2 pcs, 900 mm (35-7/16") / 3 pcs.
- Clip on type for easy installation.
- 3-way adjustment with door installed.
- Requires 6 M5 or equivalent (US#10) screws: 2 pcs for each hinge, and 4 pcs for each mounting plate.
- Optional hinge cover (J95SC-16GR) and mounting plate cover (J95ZC-GR) available.
- Glass face plate (GH-J95FP) also available.

[Wood Application]



J95ZC-GR
Mounting Plate Cover
Sold Separately



☆ J95SC-25GR
Pictured above

J95SC-16GR
Safety Cover
Sold Separately

■ Door edge to bore edge distance (C) and Overlay distance (E) Table 1.

Door edge to bore edge distance (C)	3	4	5	6	7	8
Overlay distance (E)	11	12	13	14	15	16

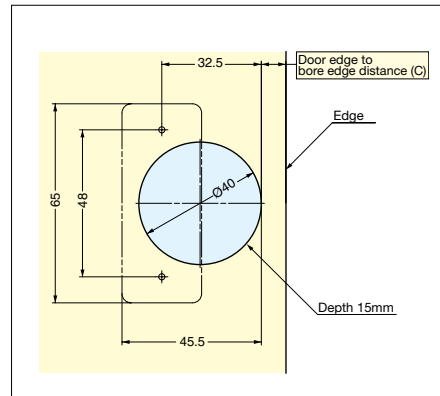
■ Hinge side opening clearance chart Table 2.

Door thickness (D)	Door edge to bore edge distance (C)					
	3	4	5	6	7	8
18	0.3	0.3	0.3	0.3	0.3	0.3
20	0.5	0.5	0.5	0.5	0.5	0.5
22	0.8	0.8	0.8	0.7	0.7	0.7
24	1.1	1.1	1.1	1.1	1.1	1.1
26	1.7	1.6	1.6	1.5	1.5	1.5
28	3.2	2.8	2.5	2.2	2.1	2.0
30	5.0	4.5	4.0	3.6	3.3	3.0
32	6.8	6.2	5.7	5.2	4.8	4.4
34	8.6	8.0	7.5	6.9	6.5	6.0

Hinge side O.C. (B)

*Mounting Plate sold separately.

*If the door thickness is over 30mm (1-3/16") the door will need to be chamfered.



Bore Dimensions

*Requires J95-P6T Mounting plate sold separately

Item No.	Type	Weight (g)	Box (pcs)	Carton (pcs)	Material	Finish
J95-24/16T	Free Swinging	131	10	50	Steel	Nickel
J95-C24/16T	Self-Closing	143				

HEAVY DUTY CONCEALED HINGE (16mm OVERLAY)

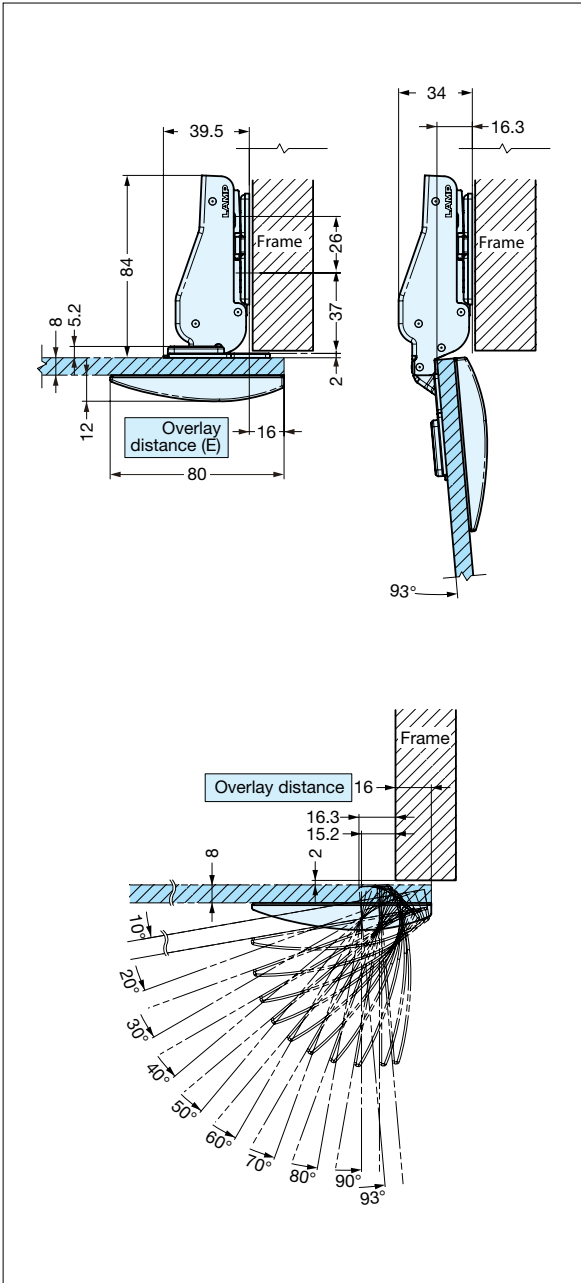


J95-24/16T, J95-C24/16T



- Load capacity: 25 kg (55 lbs) / 2 pcs, 35 kg (77 lbs) / 3 pcs.
- Maximum door width: 800 mm (31-1/2") / 2 pcs.
- Clip on type for easy installation.
- 3-way adjustment with door installed.
- Requires 6 M5 or equivalent (US#10) screws: 2 pcs for each hinge, and 4 pcs for each mounting plate.
- Optional hinge cover (J95SC-16GR) and mounting plate cover (J95ZC-GR) available.
- Glass face plate (GH-J95FP) also available.

[Glass Application]



GH-J95FP
Glass Face Plate
Sold Separately



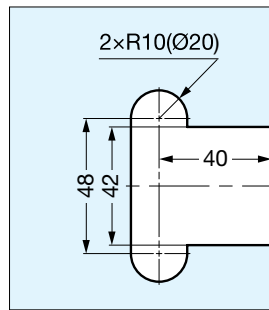
J95ZC-GR
Mounting Plate Cover
Sold Separately



☆ J95SC-25GR
Pictured above
J95SC-16GR
Safety Cover
Sold Separately

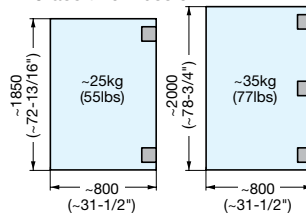
■ Hinge side opening clearance chart

Glass thickness (D)	Hinge side O.C.
8	0
9.5 (3/8")	0
10	0

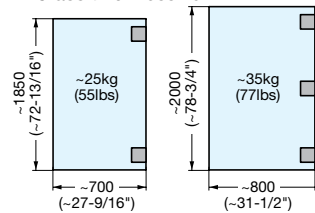


Bore Dimensions

■ Glass thickness 8mm



■ Glass thickness 10mm



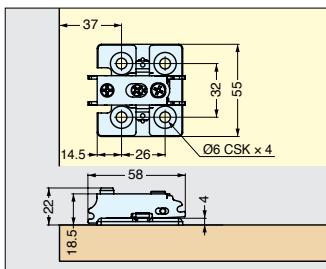
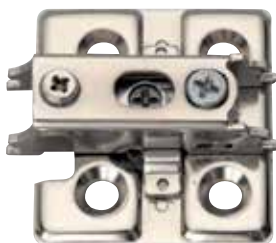
*Requires J95-P6T Mounting plate sold separately

Item No.	Type	Weight (g)	Box (pcs)	Carton (pcs)	Material	Finish
J95-24/16T	Free Swinging	131	10	50	Steel	Nickel
J95-C24/16T	Self-Closing	143				

MOUNTING PLATE J95-P6T



J95-P6T



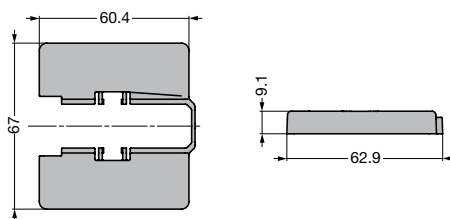
- Vertical adjustment: ± 3 mm ($\pm 1/8$ ")
- Overlay adjustment: $+0/-4$ mm ($\pm 5/32$ ")
- Depth adjustment: $+1.5/-2.5$ mm ($\pm 5/32$ ")

Item No.	Weight (g)	Box (pcs)	Carton (pcs)	Material	Finish
J95-P6T	94	10	100	Steel/Zinc Alloy	Nickel

MOUNTING PLATE COVER



J95ZC-GR



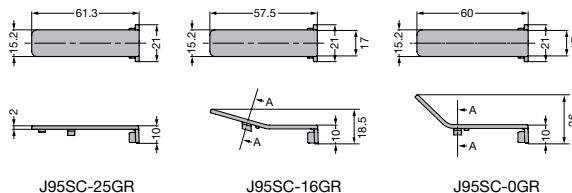
Nickel cover cap shown

Item No.	Weight (g)	Box (pcs)	Carton (pcs)	Material	Finish/Color
J95ZC-GR	9	100	1000	ABS	Gray/Nickel
J95ZC-NI					

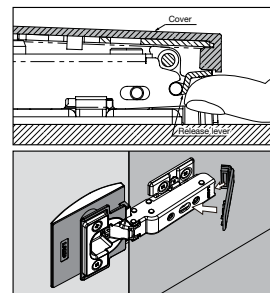
SAFETY COVER



J95SC-GR



- The cover locks the release lever of J95 hinge for drop out prevention

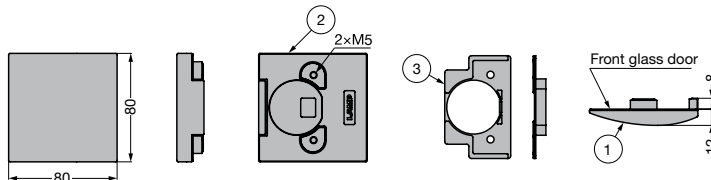


Item No.	Weight (g)	Box (pcs)	Carton (pcs)	Material	Finish/Color
J95SC-25GR / J95SC-25NI	3	100	1000	ABS	Gray/Nickel
J95SC-16GR / J95SC-16NI					
J95SC-0GR / J95SC-0NI					

GLASS FACEPLATE FOR J95 SERIES



GH-J95FP



GH-J95FP-CR

Item No.	Weight (g)	Box (pcs)	Carton (pcs)	No.	Part Name	Material	Finish
GH-J95FP/CR	320	1	20	①	Face plate	ZDC	Chrome
				②	Face plate spacer	POM	Black
				③	Socket spacer		

CONCEALED HINGE (19mm OVERLAY)



304B-46/19, C46/19

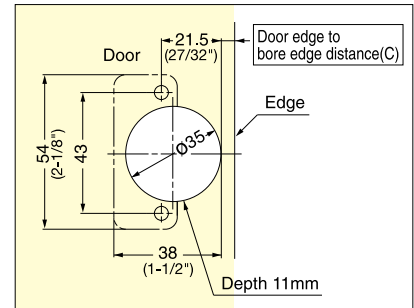
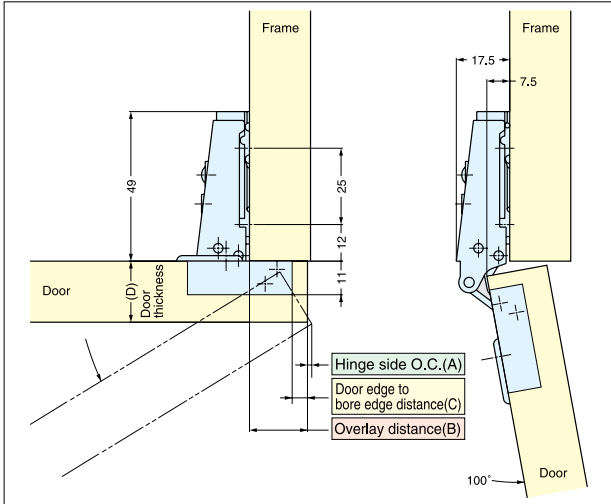


■ Door edge to bore edge distance (C) and Overlay distance (B) Table 1.

Door edge to bore edge distance (C)	3	4	5
Overlay distance (B)	17	18	19

■ Hinge side opening clearance chart Table 2.

Door thickness (D)	Door edge to bore edge distance (C)		
	3	4	5
15	0.5	0.5	0.5
16	0.7	0.7	0.7
17	0.8	0.8	0.8
18	1.0	1.0	1.0
19	1.2	1.2	1.2
20	1.4	1.4	1.4
Hinge side O.C. (A)			



Bore Dimensions

Item No.	Type	Weight (g)	Carton (pcs)	Material	Finish
304B-46/19	Free Swinging	60	200	304 Stainless Steel	Polished
304B-C46/19	Self-Closing				

CONCEALED HINGE (14mm OVERLAY)



304B-46/14, C46/14

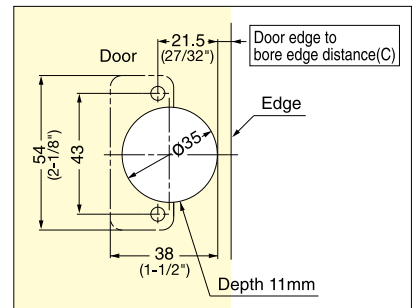
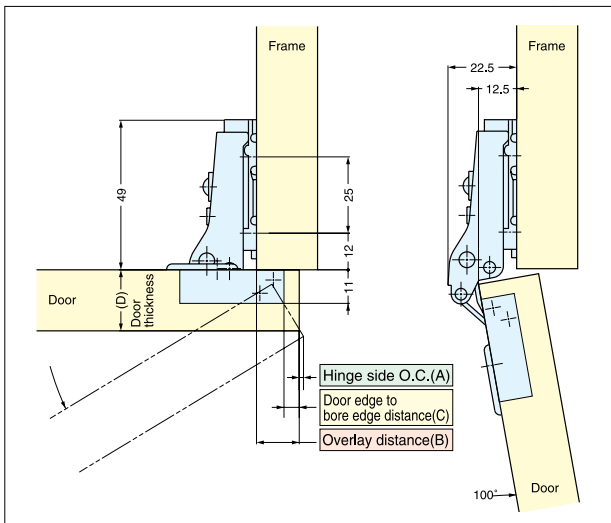


■ Door edge to bore edge distance (C) and Overlay distance (B) Table 1.

Door edge to bore edge distance (C)	3	4	5
Overlay distance (B)	12	13	14

■ Hinge side opening clearance chart Table 2.

Door thickness (D)	Door edge to bore edge distance (C)		
	3	4	5
15	0.5	0.5	0.5
16	0.7	0.7	0.7
17	0.8	0.8	0.8
18	1.0	1.0	1.0
19	1.2	1.2	1.2
20	1.4	1.4	1.4
Hinge side O.C. (A)			



Bore Dimensions

Item No.	Type	Weight (g)	Carton (pcs)	Material	Finish
304B-46/14	Free Swinging	60	200	304 Stainless Steel	Polished
304B-C46/14	Self-Closing				

CONCEALED HINGE (9mm OVERLAY)



304B-46/9, C46/9



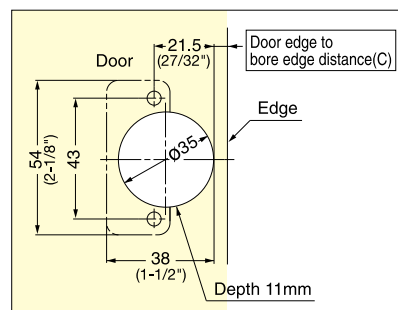
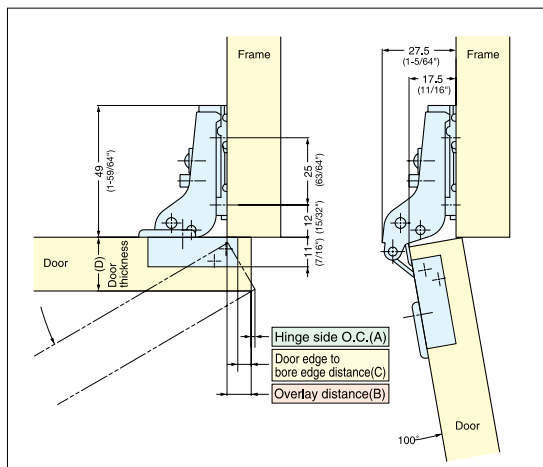
■ Door edge to bore edge distance (C) and Overlay distance (B) Table 1.

Door edge to bore edge distance (C)	3	4	5
Overlay distance (B)	7	8	9

■ Hinge side opening clearance chart Table 2.

Door thickness (D)	Door edge to bore edge distance (C)		
	3	4	5
15	0.5	0.5	0.5
16	0.7	0.7	0.7
17	0.8	0.8	0.8
18	1.0	1.0	1.0
19	1.2	1.2	1.2
20	1.4	1.4	1.4

Hinge side O.C. (A)



Bore Dimensions

Item No.	Type	Weight (g)	Carton (pcs)	Material	Finish
304B-46/9	Free Swinging	60	200	304 Stainless Steel	Polished
304B-C46/9	Self-Closing				

MOUNTING PLATE

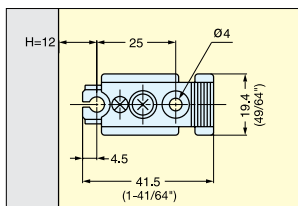


304B-P3A, P4A/32, P4A/32-3W

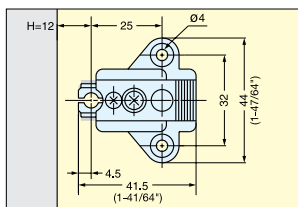
• Mounting plate for 304B hinges.



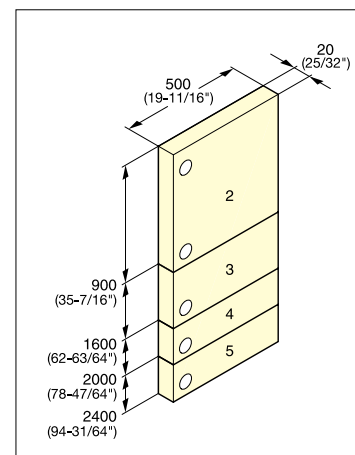
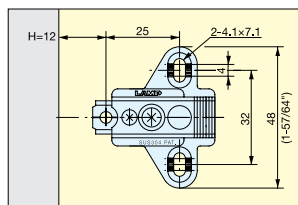
304B-P3A



304B-P4A/32



304B-P4A/32-3W



Number of hinges required.

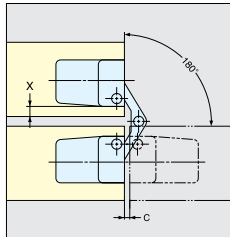
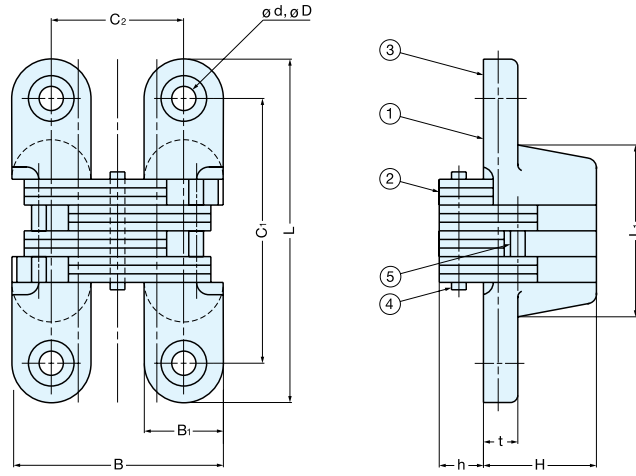
Item No.	Weight (g)	Carton (pcs)	Material	Finish
304B-P3A	40	400	304 Stainless Steel	Polished
304B-P4A/32				
304B-P4A/32-3W				

CONCEALED HINGE



R SERIES

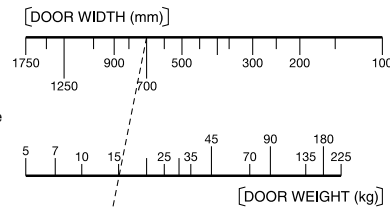
• Door size: Max. W450 x H700 x t21 mm
(W17-23/32" x H27-9/16" x t53/64")



Distance between door edge and hinge must be less than the figures shown in column "X" of the dimension table below.

To determine the number of hinges required for each door:

- Using the chart to the right, locate the correct door width (upper scale) and door weight (lower scale). Draw a line connecting these 2 points to the chart below (point "a"). Then draw a vertical line through the lower chart to find the number and type of hinges required.



- Check door thickness requirements.

Item No.	No. of Hinges (pcs)
R- 43	3
R- 45	3
R- 60	3
R- 70	2
R-100	2

[In case of door width, 700mm and door weight, 15kg]

Item No.	Required Number Of Hinges (pcs)				"a"	Min. Door Thickness
R-43	2	3	4		13mm	
R-45	2	3	4		19mm	
R-60	2	3	4		19mm	
R-70	2	3	4		25mm	
R-100	2	3	4		29mm	

No.	Part Name	Material	Finish
①	Body	Zinc Alloy	Satin Chrome
②	Link Arm	304 Stainless Steel	Plain
③	Pin A	R-43~70 304 Stainless Steel	
		R-100, Steel	
④	Pin B	304 Stainless Steel	
⑤	Pin C	R-43~70 304 Stainless Steel	
		R-100, Steel	

Item No.	L	L ₁	B	B ₁	C ₁	C ₂	H	h	t	D	d	C	X	Arm (qty)	Weight (g)	Box (pcs)	Carton (pcs)	Screw
R-43	43 (1-11/16")	22	29.0 (1-9/64")	11.0	32	18.0	13.0	(5.0)	5.0	6.2	3.5	0.8	2.3	12	37	30	300	3.1×16
R-45	45 (1-25/32")	19	35.7 (1-13/32")	13.0	32	22.7	18.5	(6.0)	5.0	7.0	3.5	0.8	3.0	8	56	20	200	3.1×20
R-60	60 (2-23/64")	33	35.2 (1-25/64")	13.0	47	22.2	18.5	(6.5)	6.5	8.3	4.3	1.0	3.0	12	94	10	100	3.5×20
R-70	70 (2-3/4")	35	42.6 (1-43/64")	16.1	53	26.6	23.0	(9.0)	7.3	9.1	4.6	1.2	3.5	12	157	10	100	4.0×25
R-100	100 (3-15/16")	52	53.2 (2-3/32")	20.0	80	33.2	27.5	(9.5)	9.5	10.0	5.3	1.8	4.8	16	342	10	60	4.5×32

3-WAY ADJUSTABLE CONCEALED HINGE



HES3D-70



HES3D-70DC

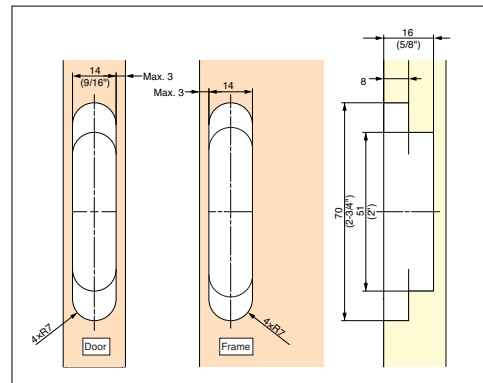
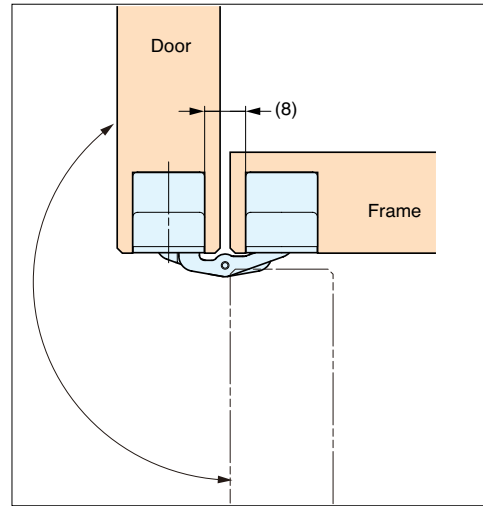
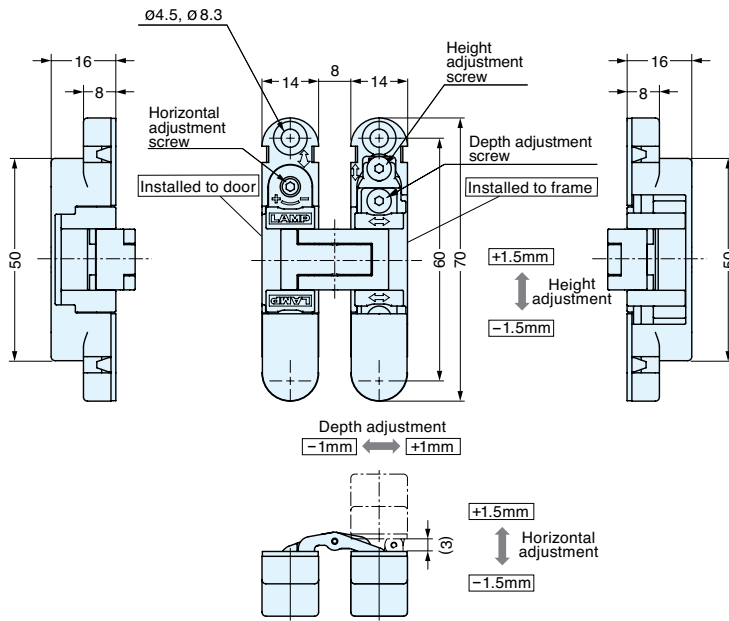
HES3D-70DN

HES3D-70BL

- 3-WAY adjustment function allows vertical, horizontal and depth adjustment after installation.
- Hinge leaves separate for easy installation.
- Covers hide screw heads for clean appearance.
- Includes steel countersunk wood screws.
- Small size for min. 3/4" panel thickness.
- Door weight: Max. 9 kg (19.8 lbs)/2 pcs, 12 kg (26.4 lbs)/3 pcs
- Door thickness: Min. 19 mm (3/4")
- Max. door size:
H 1200 mm x W 600 mm (47-1/4" x 23-5/8")

HINGES

3WAY ADJUSTABLE CONCEALED HINGES



Bore Dimensions

Item No.	Finish	Min. Door Thickness	Weight (g)	Box (pcs)	Carton (pcs)
HES3D-70DC	Dull Chrome	19 (3/4")	95	2	48
HES3D-70DN	Dull Nickel				
HES3D-70BL	Black				

Part Name	Material
Body	Zinc Alloy
Base Frame	
Arm	
Shaft (Pin)	Stainless Steel
Cover	ABS

3-WAY ADJUSTABLE CONCEALED HINGE



HES3D-90

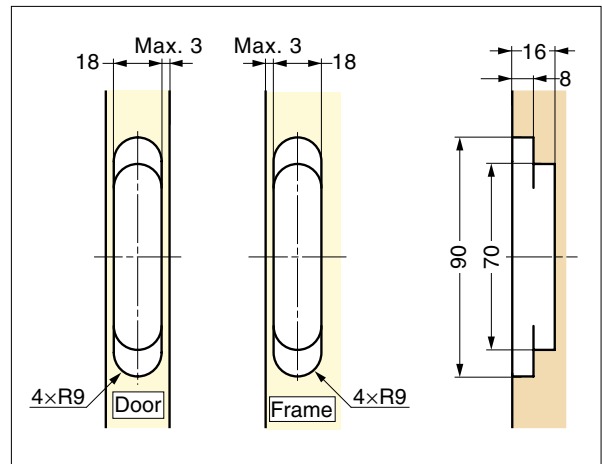
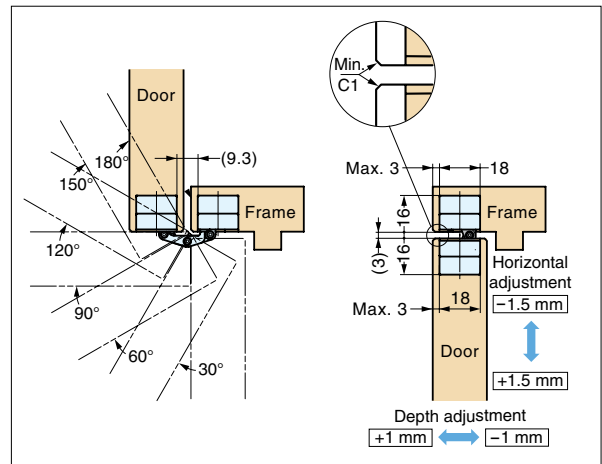
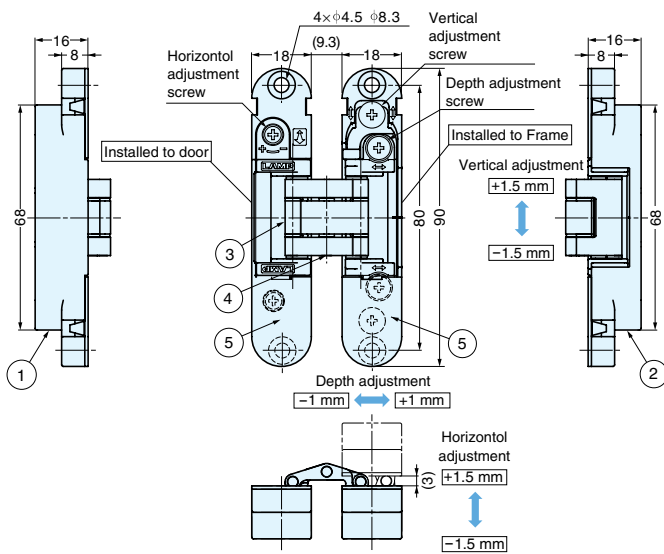


HES3D-90DC

HES3D-90DN

HES3D-90BL

- 3-WAY adjustment function allows vertical, horizontal, and depth adjustment.
- Covers hide all screw heads for clean appearance.
- Hinge leaves separate for easy installation and adjustment.
- Door weight: Max. 12 kg (26 lbs)/2 pcs, 16 kg (35 lbs)/3 pcs
- Door thickness: Min. 23 mm (15/16")
- Max door size: H 1500 mm x W 600 mm (59-1/16" x 23-5/8")
- Includes steel countersunk wood screws.



Cut Out Dimensions

No.	Part Name	Material	Finish/Color		
			DC	DN	BL
①	Body	Zinc Alloy (ZDC)	Dull Chrome	Dull Nickel	Black
②	Base Frame				
③	Arm	Stainless Steel	-	-	-
④	Shaft				
⑤	Cover	ABS	Dull Chrome	Dull Nickel	Black

Item No.	Finish	Min. Door Thickness	Weight (g)	Box (pcs)	Carton (pcs)
HES3D-90DC	Dull Chrome	23 (15/16")	198	2	48
HES3D-90DN	Dull Nickel				
HES3D-90BL	Black				

3-WAY ADJUSTABLE CONCEALED HINGE



HES3D-120

HINGES

3-WAY ADJUSTABLE CONCEALED HINGES

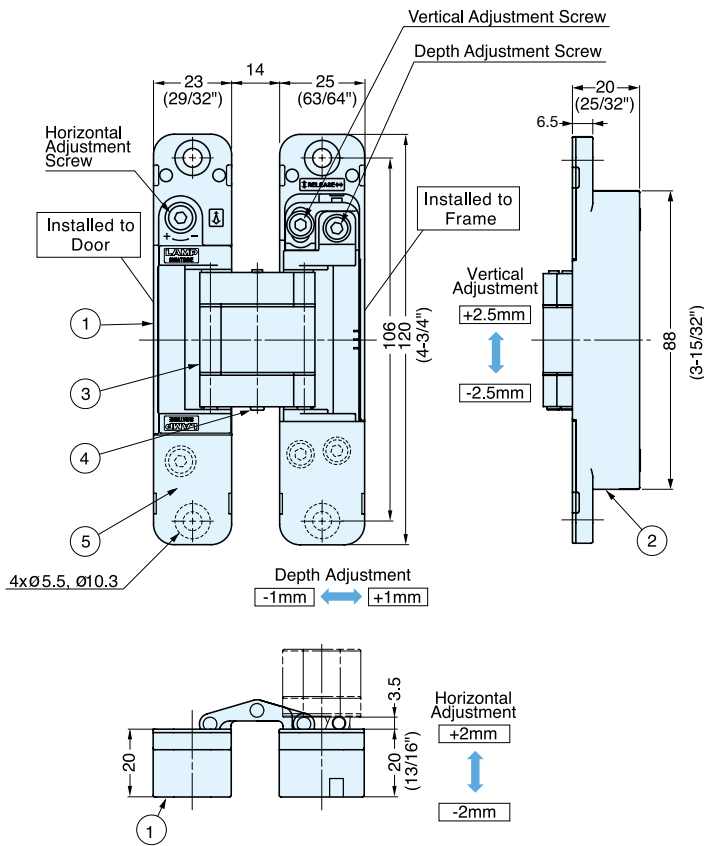
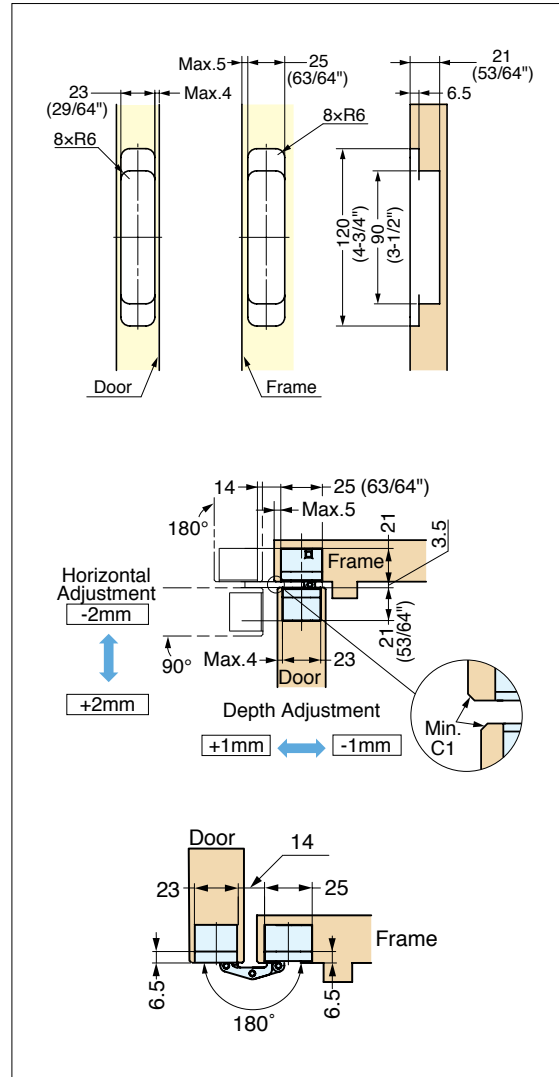


HES3D-120DC

HES3D-120DN

HES3D-120BL

- 3-WAY adjustment function allows vertical, horizontal, and depth adjustment after hinge installed.
- Easy installation and adjustment.
- Successfully passed 300,000 open/close private cycle tests.
- Supplied with steel flat head screw.
- Covers hide all screw heads for clean appearance.
- Door weight: Max. 30 kg (66 lbs)/2 pcs, 40 kg (88 lbs)/3 pcs
- Door Thickness: Min. 29 mm (1-1/8")
- Max. Door Size: H 2400 mm x W 900 mm (H 94-1/2" x W 35-7/16")
- Bracket for sheet metal available.



No.	Part Name	Material	Finish/Color
①	Body	Zinc Alloy	Dull Chrome (DC)
②	Base Frame		Dull Nickel (DN)
③	Arm		Black (BL)
④	Pin	304 Stainless Steel	-
⑤	Cover	ABS	Dull Chrome (DC) Dull Nickel (DN) Black (BL)

Item No.	Finish/Color	Weight (g)	Box (pcs)	Carton (pcs)
HES3D-120DC	Dull Chrome	380	2	24
HES3D-120DN	Dull Nickel			
HES3D-120BL	Black			

3-WAY ADJUSTABLE CONCEALED HINGE



HES3D-E190



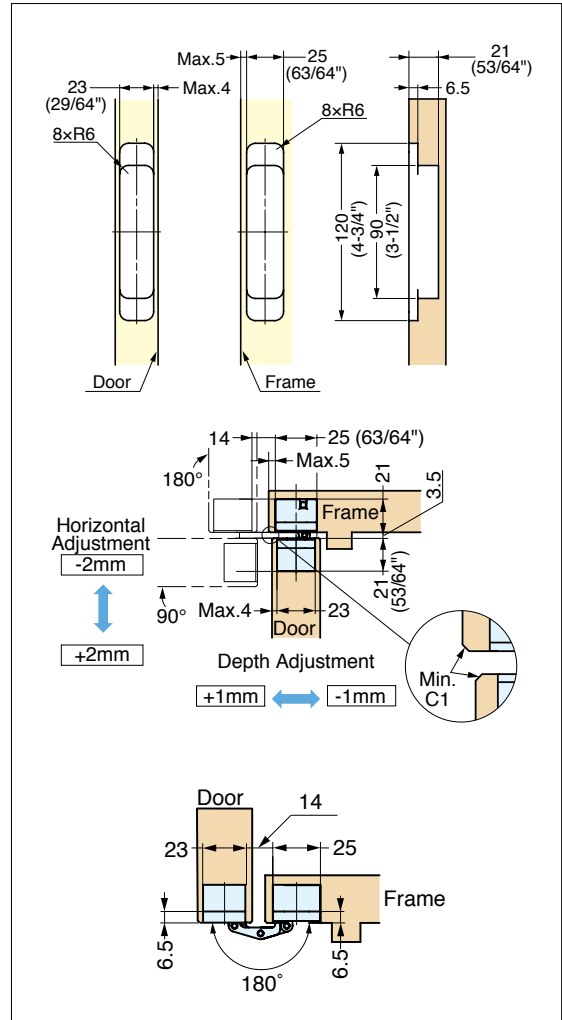
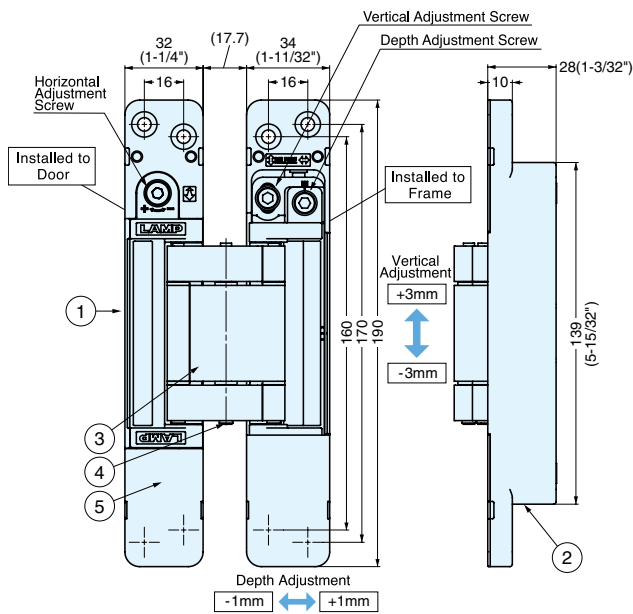
HES3D-E190PN

HES3D-E190DC

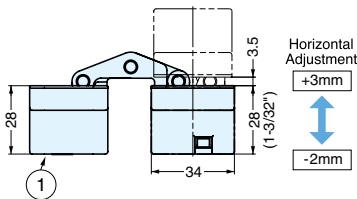
HES3D-E190DN

HES3D-E190BL

- 3-WAY adjustment function allows vertical, horizontal, and depth adjustment after hinge installed.
- Easy installation and adjustment.
- Successfully passed 300,000 open/close private cycle tests.
- Supplied with steel flat head screw.
- Covers hide all screw heads for clean appearance.
- Door weight : Max. 100 kg (220 lbs)/2 pcs, 125 kg (275 lbs)/3 pcs
- Door Thickness : Min. 38 mm(1-1/2")
- Max. Door Size : H 2400 mm (94-1/2") x W 900 mm (35-7/16")
- Bracket for sheet metal available.



Bore Dimensions



Item No.	Weight (g)	Box (pcs)	Carton (pcs)
HES3D-E190PN	1050	2	12
HES3D-E190DC			
HES3D-E190DN			
HES3D-E190BL			

No.	Part Name	Material	Finish/Color
①	Body	Zinc Alloy	Polished Nickel (PN) Dull Chrome (DC) Dull Nickel (DN) Matte Black (BL)
②	Base Frame	Zinc Alloy	Polished Nickel (PN) Dull Chrome (DC) Dull Nickel (DN) Matte Black (BL)
③	Arm	Aluminum	Polished Nickel (PN) Dull Chrome (DC) Dull Nickel (DN) Matte Black (BL)
④	Pin	304 Stainless Steel	-
⑤	Cover	ABS	Polished Nickel (PN) Dull Chrome (DC) Dull Nickel (DN) Matte Black (BL)

3-WAY ADJUSTABLE CONCEALED HINGE



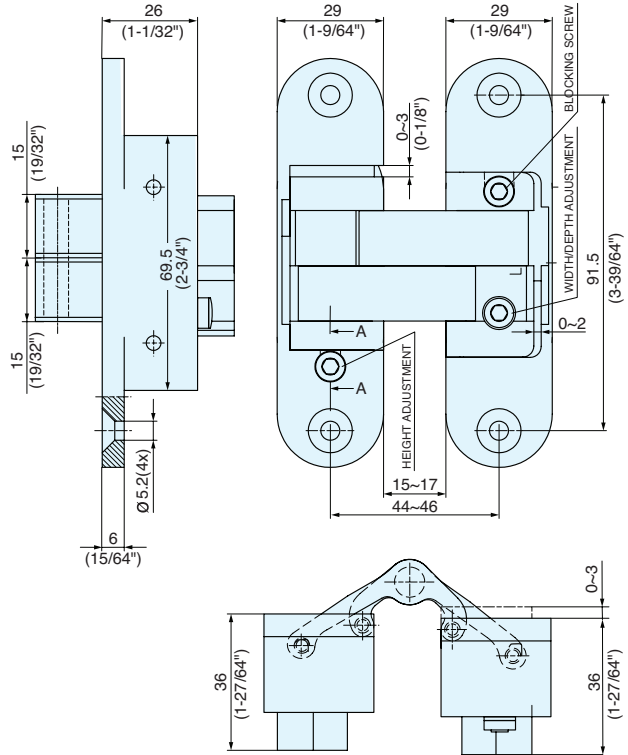
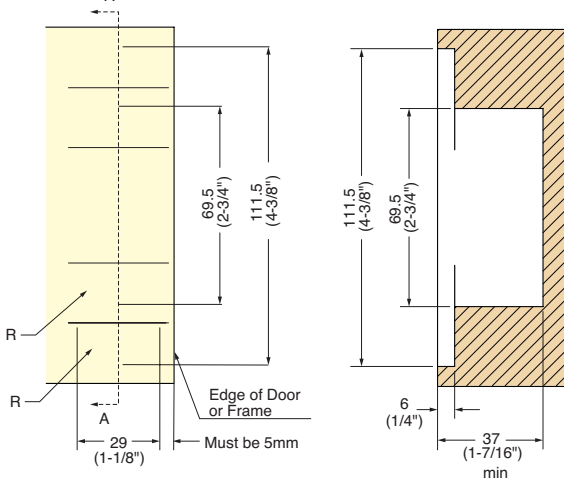
R3D-110



- 3-WAY adjustment function allows vertical, horizontal, and depth adjustment after hinge is installed.
- Enables doors to open 180°
- Door Weight: Max. 158 lbs (with 2 hinges).
- Door Width: Max. 39-3/8".
- Door Thickness: Min. 1-9/16".
- Passed 200,000 Open/Close Cycles
- Right or left handed.
- Finish: Silver

HINGES

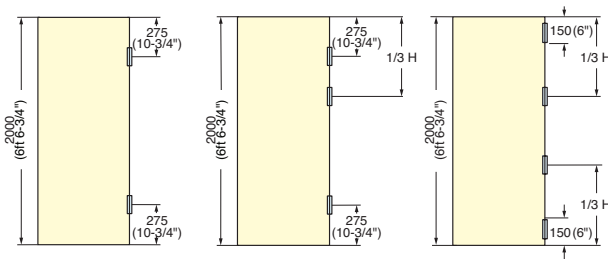
3-WAY ADJUSTABLE CONCEALED HINGES



2 Hinges

3 Hinges

4 Hinges



Part Name	Material	Finish
Body	430 Stainless Steel	Polished
Base		
Bracket		
Shaft	303 Stainless Steel	-
Press Washer	Phosphor Bronze	Polished
Pin		-
Washer	Steel	-

Item No.		Weight (g)	Box (pcs)
Left	Right		
R3D-110L-SC	R3D-110R-SC	521.6	2

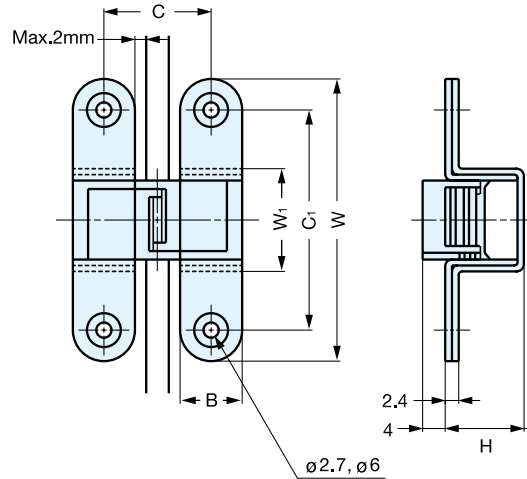
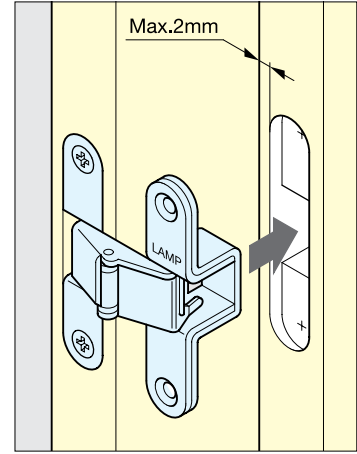
DISCONTINUED

CONCEALED HINGE



RK-50

- Door Size Max: W450 x H700 (W17-23/32" x H27-9/16")
- Door Weight Max: 2.6 kg/pair (5.7 lbs/pair)
- Door thickness 15-21 mm (19/32" - 53/64")



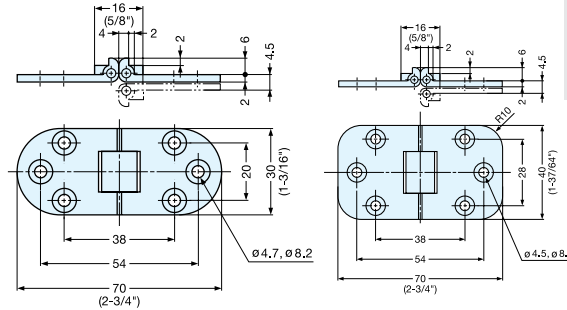
Material	Finish
304 Stainless Steel	Satin

Item No.	W	B	C	C ₁	H	W ₁	Weight (g)	Box (pcs)	Carton (pcs)
RK-50	50 (1-31/32")	11 (7/16")	19 (3/4")	38 (1-1/2")	14 (35/64")	18 (23/32")	28	24	240

TABLETOP HINGE



SMH-30, 40



- Double pivot hinge with 180° opening.
- Door Size: Max. W450 × H700 × t21 mm (W17-3/4" × H27-9/16" × t53/64")
- Door Weight: Max. 4 kg/pair (8.8 lbs/pair)
- Creates a flush surface when hinge is recessed into a tabletop, tray, etc.

Please specify the finish when ordering.

Item No.	Weight (g)	Box (pcs)	Carton (pcs)
SMH-30	45	24	360
SMH-40	64	16	240

Material	Finish
Brass	Polished Brass (PB)
	Satin Nickel (SN)
	Chrome (CR)

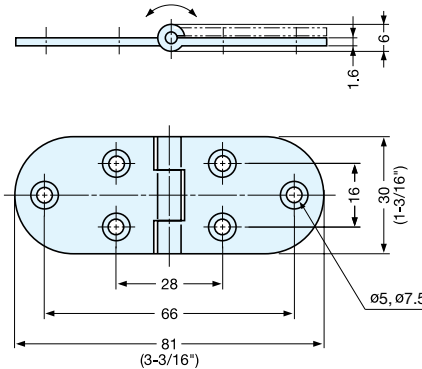
HINGES

TABLETOP HINGES

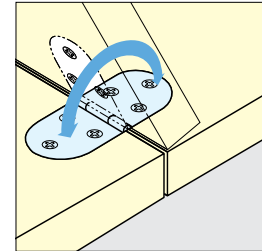
TABLETOP HINGE



SMH-83



- Door Size: Max. W450 × H700 × t21 mm (W17-3/4" × H27-9/16" × t53/64")
- Door Weight: Max. 4 kg/pair (8.8 lbs/pair)
- Only SMH-83/S is NSF certified.



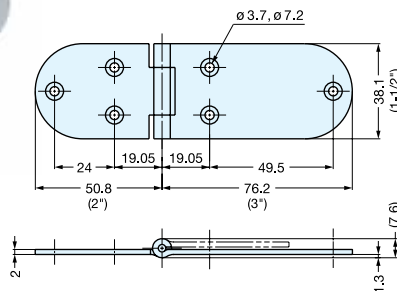
Item No.	Weight (g)	Box (pcs)	Carton (pcs)
SMH-83/S	28	100	1000
SMH-83/CR	31		

Material	Finish
304 Stainless Steel	Satin (S)
Steel	Chrome (CR)

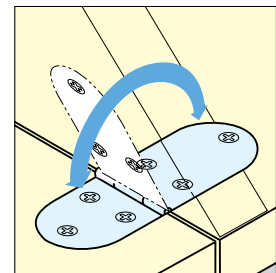
TABLETOP HINGE



MA-5



- Door Size: Max. W450 × H700 × t21 mm (W17-3/4" × H27-9/16" × t53/64")
- Door Weight: Max. 4 kg/pair (8.8 lbs/pair)



Item No.	Weight (g)	Box (pcs)	Carton (pcs)
MA-5	74	20	200

Material	Finish
304 Stainless Steel	Mirror

DROP LID HINGE (ADJUSTABLE TYPE)

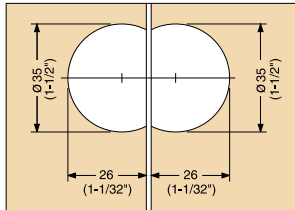


SDH-001

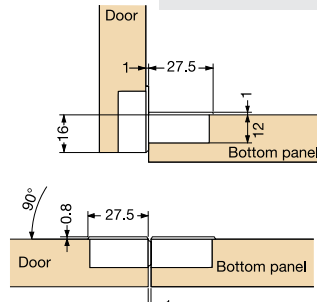
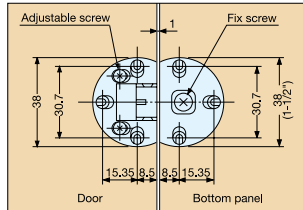


SDH-001

SDH-001/BLK



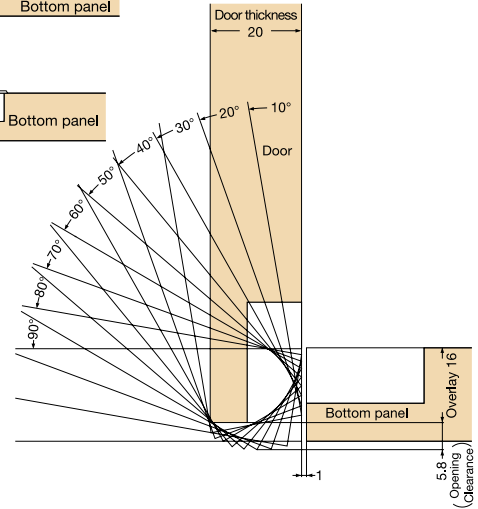
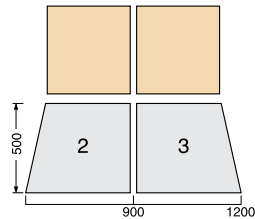
Bore Dimensions



- Opening angle 90°
- Two way adjustment (overlay and door gap)
- Flush when opened, ideal for writing desk application
- Can be used with soft down stay SDS-100 or NSDX-10.
- Door Thickness: 16 ~ 20 mm (5/8" ~ 25/32")
- Overlay Coverage: 14 ~ 16 mm (35/64" ~ 5/8")



of Hinges Required



Item No.	Material	Finish	Weight (g)	Box (pcs)	Carton (pcs)
SDH-001/NI	Zinc Alloy	Nickel	79	50	200
SDH-001/BLK		Black			

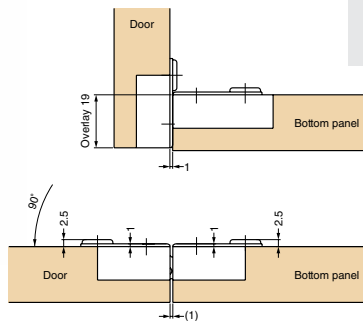
DROP LID HINGE (3-WAY ADJUSTMENT)



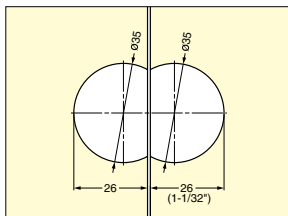
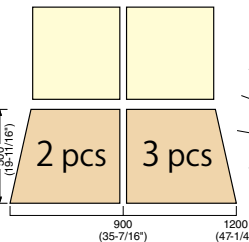
SDH-P



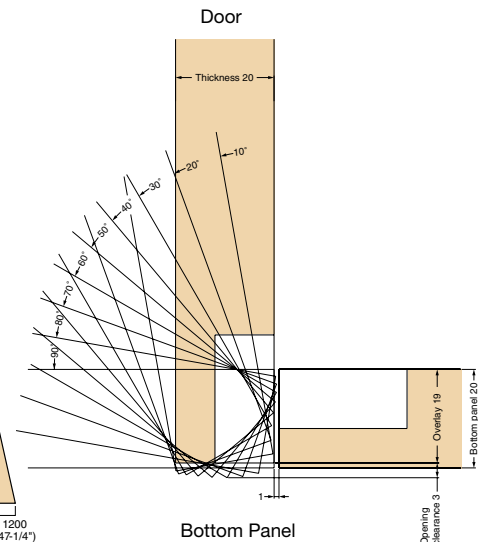
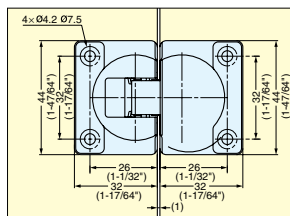
- Three way adjustment (overlay, horizontal, door gap).
- Flush when opened.
- Can be used with soft down stay SDS-100 or NSDX-10.
- Door Thickness: 16~20 mm (5/8" ~ 25/32").
- Overlay Coverage 16~19 mm (5/8" ~ 3/4").



of Hinges Required



Bore Dimensions



Item No.	Finish/Color	Box (sets)	Carton (sets)
SDH-P/BL	Nickel/Black Covers	50	100
SDH-P/NI	Nickel/Nickel Covers		
SDH-P/WT	Nickel/White Covers		

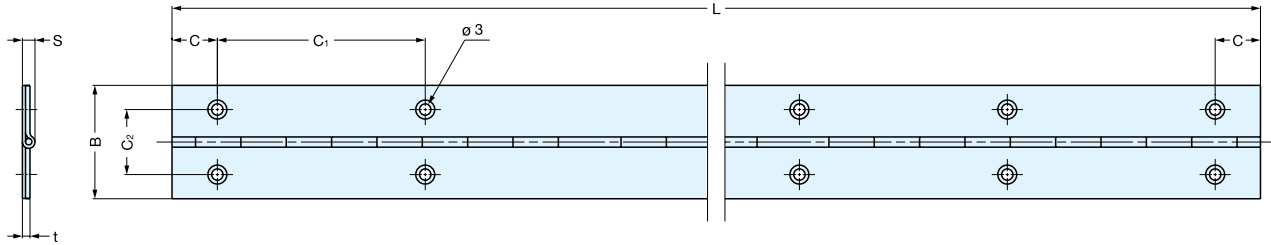
No.	Part Name	Material	Finish
①	Hinge Body	Steel	Nickel
②	Cover	ABS	Black/Nickel/White

PIANO HINGE



LSD-30

- Double folded construction provides extra rigidity.
- The knuckles on both ends are crimped to prevent the pin from being removed. The hinge pin does not occupy the crimped knuckles on both ends.



Material	Finish
304 Stainless Steel	Satin

Item No.	L	B	C	C ₁	C ₂	t	S	Holes	Weight (g)	Box (pcs)	Carton (pcs)
LSD-30-240	240 (9-29/64")	30 (1-3/16")	10.5	43.5	17	1.2	3.5	12	65	20	200
LSD-30-300	300 (11-13/16")			46.3				14	80		
LSD-30-360	360 (14-11/64")		15.0	47.0				16	95		
LSD-30-450	450 (17-23/32")		14.5	60.0				16	120		
LSD-30-600	600 (23-5/18")		14.0	63.3				20	190		
LSD-30-900	900 (35-7/16")			62.3				30	280		

PIANO HINGES

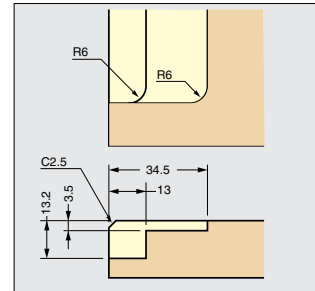
TABLETOP PIANO HINGE



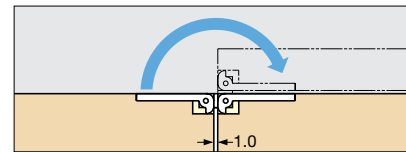
HG-MH



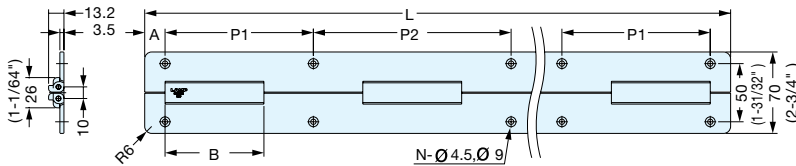
• Not a load bearing hinge, requires secondary support.



Bore Dimensions



• Unique "Double Joint" mechanism allows 180° opening.
 * HG-MH is not a load bearing hinge.
 A secondary support is recommended.



Item No.	Material	Finish/Color	L	A	P ₁	P ₂	B	# of Holes	Carton (pcs)												
HG-MH400S	Aluminum (Body)/ 304 Stainless Steel (Pin)	Silver	400 (15-3/4")	15.0	111.0	148	74	8	15												
HG-MH400BR		Brown																			
HG-MH400BL		Black																			
HG-MH800S		Silver	800 (31-1/2")							17.5	127.5	170	85	12	10						
HG-MH800BR		Brown																			
HG-MH800BL		Black																			
HG-MH1100S		Silver	1100 (43-5/16")													16.5	145.5	194	97	14	6
HG-MH1100BR		Brown																			
HG-MH1100BL		Black																			