






















LID SUPPORTS



SOFT-DOWN & LIFT ASSIST STAYS
MULTI-ANGLE & LOCKING
LIGHT TO HEAVY DUTY
DOOR HOLDERS
CLEAN ROOM

LAPCON SOFT CLOSING STAYS

Picture	Item No.	Application	Torque (lbs-inch) or Max Door weight (lbs)	Page
	SLS-ELAN	UPWARD	48 - 87 lbs-in	107
	SLU-ELAN	LIFT-UP	Door Weight 11 - 24.2 lbs	108
	SLD	DOWNWARD	Door Weight 6.6 - 13.2 lbs	110
	CSD-10-TV	DOWNWARD	8.8 - 35.4 lbs-in	111
	SDS-C100	DOWNWARD	30 - 43 lbs-in/pc	113
	SDS-C301N	UPWARD/TOP-OPENING	35 - 60 lbs-in/pc	114
	SDS-50G	-	-	115
	SDS-100-TV/TVZ	DOWNWARD	4.3 - 32.6 lbs/pc	116
	NSDX-10(R/L)K/TV	DOWNWARD	8.7 - 17.4 lbs-in/pc	118
	NSDX-10	DOWNWARD	19 - 60 lbs-in/pc	119
	NSDX-20	TOP-OPENING	19 - 60 lbs-in/pc	120
	NSDX-35	UPWARD	19 - 60 lbs-in/pc	121
	HDS-10	DOWNWARD	121 - 260 lbs-in/pair	123
	HDS-10S	DOWNWARD	52 - 156 lbs-in/pair	124
	HDS-20	TOP-OPENING	121 - 260 lbs-in/pair	125
	HDS-20S	TOP-OPENING	60 - 130 lbs-in/pair	126
	HDSN-30	UPWARD	122 - 260 lbs-in/pair	127
	SLUN	LIFT UP	Door Weight 6.2 - 12.8 lbs	129
	LAD-ST	TOP-OPENING	70.1 - 141.9 lbs-in	134
	LAD-DP	-	-	135
	LAD-BKT	-	-	135

SPRING LOADED LID STAYS

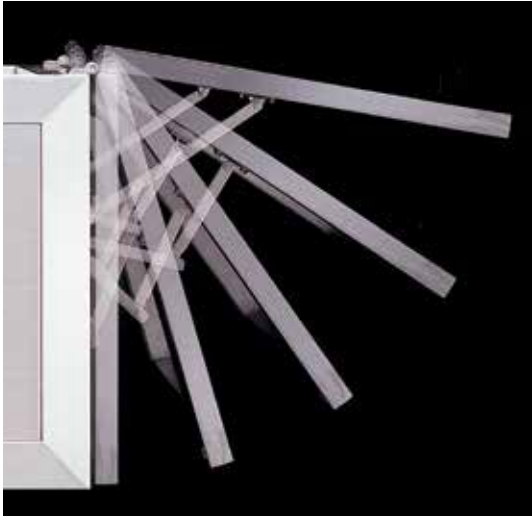
Picture	Item No.		Application	Torque (lbs-inch)	Page
	S-AT01, S-AT02		TOP-OPENING	78 - 104 lbs-in	130
	S-AT01S, S-AT02S		TOP-OPENING	78 - 104 lbs-in	130
	S-AT02W		TOP-OPENING	133 - 186 lbs-in	131
	S-YT		TOP-OPENING	26 - 34 lbs-in	132
	S-ATH		TOP-OPENING	530.0 - 617.0 lbs-in	133

LID STAYS

Picture	Item No.		Application	Load Capacity (lbs) Torque (lbs-inch)	Page
	S-TAR		UPWARD/TOP OPENING/ DOWNWARD	0 - 61.7 lbs-in	136
	S-100T30		TOP OPENING/ DOOR HOLDER	26.5 lbs-in±20%	137
	S-52T15		TOP OPENING	13.3 lbs-in ±20%	137
	HS		DOWNWARD	-	138
	SAD-160		SIDE OPENING	-	138
	F-100, 150, 200, 250		TOP OPENING	-	139
	F-300		TOP OPENING	-	139
	S-6, S-16		TOP OPENING	71.28 - 75.46 lbs	140
	S-24, S-25, S-27		DOWNWARD	64.46 - 73.04 lbs	140
	S-19		TOP OPENING	95.74 lbs	141
	S-20		TOP OPENING	92.1 lbs	141
	S-21		TOP OPENING	69 lbs	142

Picture	Item No.		Application	Load Capacity (lbs)	Page
	S-23		TOP OPENING	67 lbs	142
	S-91, 92, 93		TOP OPENING	66 - 88 lbs	143
	L-100S		UPWARD	13.2 lbs	144
	L-140S		UPWARD	13.2 lbs	144
	L-S-BT		-	-	144
	L-SL140		UPWARD	33 lbs	145
	L-FS140		UPWARD	13.2 lbs	145
	L-200P		UPWARD	33 lbs	145
	L-SL140-BT		-	-	146
	L-FS140-BT		-	-	146
	L-200P-BT		-	-	146
	LK		UPWARD/TOP OPENING	33 lbs	147
	LB-215, 290		UPWARD	33 lbs	147
	L-195-JC		UPWARD	33lbs	148
	L		UPWARD	33 lbs	149
	LB		UPWARD	44 - 66 lbs	149
	LB-CV215A		UPWARD	33 lbs	150
	LB-S		UPWARD	214 - 293 lbs	151
	LBTS		UPWARD	154 lbs	151
	L-FS350A		UPWARD	66 lbs	152

Picture	Item No.		Application	Load Capacity (lbs)	Page
	U-3005		UPWARD	-	152
	U-3031		UPWARD	15 lbs	153
	LSP		UPWARD	66 lbs	153
	YMC		UPWARD	-	154
	YF		FOOT STAYS	Tensile Force: 198 - 330 lbs Compression Load: 110 - 132 lbs	155
	YA-0812, 1216		UPWARD/TOP-OPENING/ DOOR HOLDERS	-	156
	YA-2020, 2020W		DOOR HOLDERS	Tensile Force: 330 lbs Compression Load: 132lbs	157

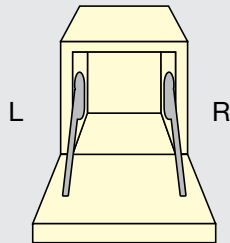


= Soft & Smooth

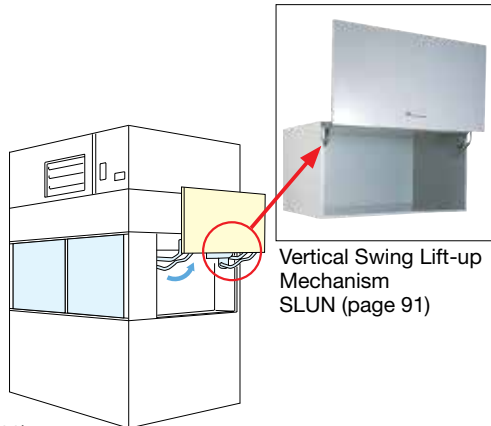
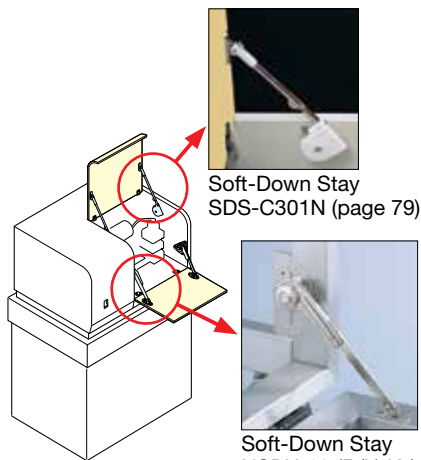
Equipped with Sugatsune's built-in patented dampening device, Lapcon series products provide the smoothest opening and closing system imaginable. As Lapcon systems open and close, it moves with quiet assurance. Lapcon products also provide safety to your application with its revolutionary damper. Doors and lids will come down slowly and softly which eliminates slamming doors or smashed fingers.



■ Soft Down Stay



APPLICATION	HINGE	USE	OPENING ANGLE
Downward	<ul style="list-style-type: none"> • Butt Hinge • Drop Hinge • Concealed Hinge 	<ul style="list-style-type: none"> SDS - 100TV, SDS - C100TV SDS - 100, SDS - C100 NSDX - 10(R/L) HDS - 10 	90°
Top-Opening	<ul style="list-style-type: none"> • Butt Hinge • Drop Hinge • Concealed Hinge 	<ul style="list-style-type: none"> SDS - C301N NSDX-20(R/L)K HDS - 20 	<ul style="list-style-type: none"> 70° / 105° 70° / 105° 70°
Upward	<ul style="list-style-type: none"> • Butt Hinge • Drop Hinge • Concealed Hinge 	<ul style="list-style-type: none"> SDS - C301N NSDX - 35(R/L)K HDS - 30 HDSN - 30 SLS-ELAN 	<ul style="list-style-type: none"> 80° / 90° / 100° 80° / 90° / 100° 80° 80° / 90°



*Note

- Door weight range is calculated based on center of gravity point at the middle of door.
- Door weight range for HDSN is for opening angle 90°.

Door Weight Range Table (Per pair, in lbs.)

Door Height (inch)	SDS-C100		SDS-C301N		SDS-100-TV		NSDX-10(R/L)K/TV		NSDX		HDS-K		HDS-M		HDS-H	
	Min	Max	Min	Max	Min	Max	Min	Max	Min	Max	Min	Max	Min	Max	Min	Max
6	-	-	-	-	2.87	6.93	5.80	11.57	-	-	-	-	-	-	-	-
7	-	-	-	-	2.46	5.94	4.97	9.91	-	-	-	-	-	-	-	-
8	15.0	21.5	17.5	30.0	2.15	5.20	4.35	8.68	9.5	30.0	30.3	43.3	43.3	54.0	54.0	65.0
9	13.3	19.1	15.6	26.7	1.91	4.62	3.87	7.71	8.4	26.7	26.9	38.4	38.4	48.0	48.0	57.8
10	12.0	17.2	14.0	24.0	1.72	4.16	3.48	6.94	7.6	24.0	24.2	34.6	34.6	43.2	43.2	52.0
11	10.9	15.6	12.7	21.8	1.56	3.78	3.16	6.31	6.9	21.8	22.0	31.5	31.5	39.3	39.3	47.3
12	10.0	14.3	11.7	20.0	1.43	3.47	2.90	5.78	6.3	20.0	20.2	28.8	28.8	36.0	36.0	43.3
13	9.2	13.2	10.8	18.5	-	-	-	-	5.8	18.5	18.6	26.6	26.6	33.2	33.2	40.0
14	8.6	12.3	10.0	17.1	-	-	-	-	5.4	17.1	17.3	24.7	24.7	30.9	30.9	37.1
15	8.0	11.5	9.3	16.0	-	-	-	-	5.1	16.0	16.1	23.1	23.1	28.8	28.8	34.7
16	7.5	10.8	8.8	15.0	-	-	-	-	4.8	15.0	15.1	21.6	21.6	27.0	27.0	32.5
17	7.1	10.1	8.2	14.1	-	-	-	-	4.5	14.1	14.2	20.4	20.4	25.4	25.4	30.6
18	6.7	9.6	7.8	13.3	-	-	-	-	4.2	13.3	13.4	19.2	19.2	24.0	24.0	28.9
19	6.3	9.1	7.4	12.6	-	-	-	-	4.0	12.6	12.7	18.2	18.2	22.7	22.7	27.4
20	6.0	8.6	7.0	12.0	-	-	-	-	3.8	12.0	12.1	17.3	17.3	21.6	21.6	26.0
21	5.7	8.2	6.7	11.4	-	-	-	-	3.6	11.4	11.5	16.5	16.5	20.6	20.6	24.8
22	5.5	7.8	6.4	10.9	-	-	-	-	3.5	10.9	11.0	15.7	15.7	19.6	19.6	23.6
23	5.2	7.5	6.1	10.4	-	-	-	-	3.3	10.4	10.5	15.0	15.0	18.8	18.8	22.6
24	5.0	7.2	5.8	10.0	-	-	-	-	3.2	10.0	10.1	14.4	14.4	18.0	18.0	21.7
25	4.8	6.9	5.6	9.6	-	-	-	-	3.0	9.6	9.7	13.8	13.8	17.3	17.3	20.8
26	4.6	6.6	5.4	9.2	-	-	-	-	2.9	9.2	9.3	13.3	13.3	16.6	16.6	20.0

Door Height (inch)	HDSN-K (Opening Angle 90°)		HDSN-K (O.A. 80°)		HDSN-M (O.A. 90°)		HDSN-M (O.A. 80°)		HDSN-H (O.A. 90°)		HDSN-H (O.A. 80°)		HDSN-S (O.A. 90°)		HDSN-S (O.A. 80°)	
	Min	Max	Min	Max	Min	Max	Min	Max	Min	Max	Min	Max	Min	Max	Min	Max
8	30.5	38.8	30.5	43.3	39.0	47.5	43.5	54.0	47.8	56.3	54.3	65.0	56.5	65.0	65.3	75.8
9	27.1	34.4	27.1	38.4	34.7	42.2	38.7	48.0	42.4	50.0	48.2	57.8	50.2	57.8	58.0	67.3
10	24.4	31.0	24.4	34.6	31.2	38.0	34.8	43.2	38.2	45.0	43.4	52.0	45.2	52.0	52.2	60.6
11	22.2	28.2	22.2	31.5	28.4	34.5	31.6	39.3	34.7	40.9	39.5	47.3	41.1	47.3	47.5	55.1
12	20.3	25.8	20.3	28.8	26.0	31.7	29.0	36.0	31.8	37.5	36.2	43.3	37.7	43.3	43.5	50.5
13	18.8	23.8	18.8	26.6	24.0	29.2	26.8	33.2	29.4	34.6	33.4	40.0	34.8	40.0	40.2	46.6
14	17.4	22.1	17.4	24.7	22.3	27.1	24.9	30.9	27.3	32.1	31.0	37.1	32.3	37.1	37.3	43.3
15	16.3	20.7	16.3	23.1	20.8	25.3	23.2	28.8	25.5	30.0	28.9	34.7	30.1	34.7	34.8	40.4
16	15.3	19.4	15.3	21.6	19.5	23.8	21.8	27.0	23.9	28.1	27.1	32.5	28.3	32.5	32.6	37.9
17	14.4	18.2	14.4	20.4	18.4	22.4	20.5	25.4	22.5	26.5	25.5	30.6	26.6	30.6	30.7	35.6
18	13.6	17.2	13.6	19.2	17.3	21.1	19.3	24.0	21.2	25.0	24.1	28.9	25.1	28.9	29.0	33.7
19	12.8	16.3	12.8	18.2	16.4	20.0	18.3	22.7	20.1	23.7	22.8	27.4	23.8	27.4	27.5	31.9
20	12.2	15.5	12.2	17.3	15.6	19.0	17.4	21.6	19.1	22.5	21.7	26.0	22.6	26.0	26.1	30.3
21	11.6	14.8	11.6	16.5	14.9	18.1	16.6	20.6	18.2	21.4	20.7	24.8	21.5	24.8	24.9	28.9
22	11.1	14.1	11.1	15.7	14.2	17.3	15.8	19.6	17.4	20.5	19.7	23.6	20.5	23.6	23.7	27.5
23	10.6	13.5	10.6	15.0	13.6	16.5	15.1	18.8	16.6	19.6	18.9	22.6	19.7	22.6	22.7	26.3
24	10.2	12.9	10.2	14.4	13.0	15.8	14.5	18.0	15.9	18.8	18.1	21.7	18.8	21.7	21.8	25.3
25	9.8	12.4	9.8	13.8	12.5	15.2	13.9	17.3	15.3	18.0	17.4	20.8	18.1	20.8	20.9	24.2
26	9.4	11.9	9.4	13.3	12.0	14.6	13.4	16.6	14.7	17.3	16.7	20.0	17.4	20.0	20.1	23.3

SLS-ELAN

EASY LIFT-UP STAY

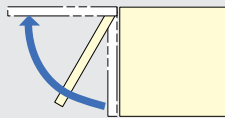


- Lift-assist mechanism for extra light-opening with free stop feature.
- Offers smooth and soft downward movement preventing lids or doors from slamming shut.
- Easy to install by aligning the body to the edge of cabinet.
- Recognized by LGA for 40,000 cycles.

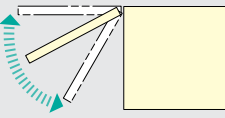
Designed to operate at room temperature 0°~40°C (32°~104°F).

■ 3 functions on 1 stay

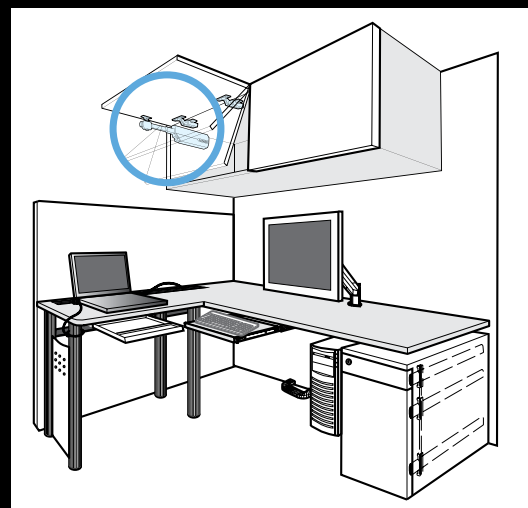
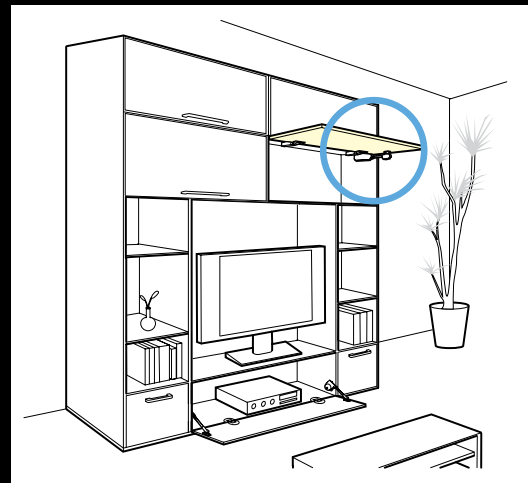
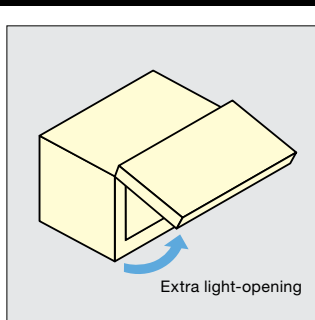
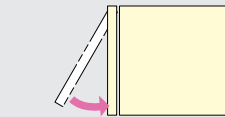
1. Lift-assist



2. Free stop



3. Soft-close



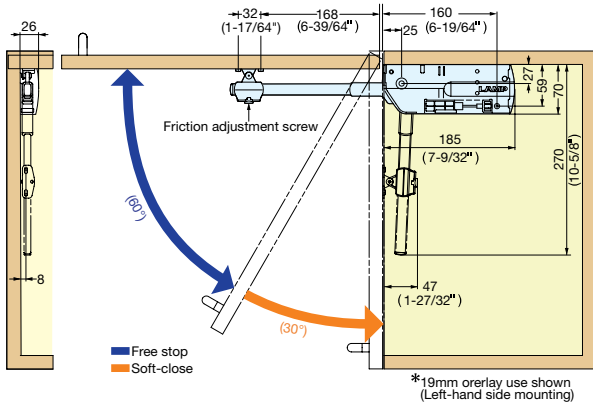
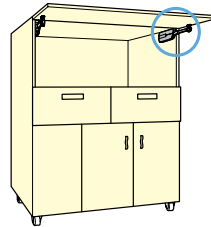
EASY LIFT-UP STAY



SLS-ELAN



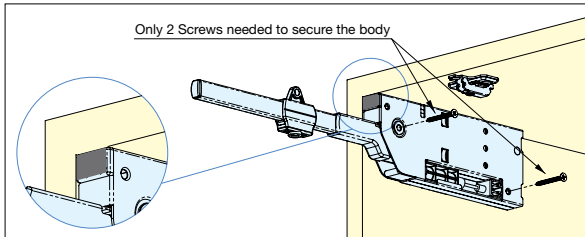
- For UPWARD-OPENING FLAP DOOR with concealed, piano, butt, or drop hinges.
- Designed to provide effortless opening and hold door in closed and opened position.
- Damper equipped for soft & silent closing.
- Optional bracket for aluminum frame door available.
- Single or pair use allows wide range of door size/weights.
- Handed: Specific left and right hand mounting.



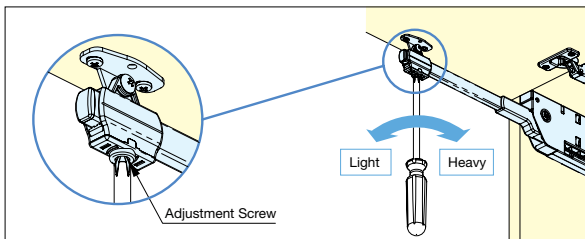
Door Weight Range Table (lbs.)

Door Height (inch)	Single use				Pair use			
	M-type		H-type		M-type		H-type	
	Min	Max	Min	Max	Min	Max	Min	Max
12"	8.0	10.8	10.8	14.5	16.0	21.7	21.7	29.0
13"	7.4	10.0	10.0	13.4	14.8	20.0	20.0	26.8
14"	6.9	9.3	9.3	12.4	13.7	18.6	18.6	24.9
15"	6.4	8.7	8.7	11.6	12.8	17.3	17.3	23.2
16"	6.0	8.1	8.1	10.9	12.0	16.3	16.3	21.8
17"	5.6	7.6	7.6	10.2	11.3	15.3	15.3	20.5
18"	5.3	7.2	7.2	9.7	10.7	14.4	14.4	19.3
19"	5.1	6.8	6.8	9.2	10.1	13.7	13.7	18.3
20"	4.8	6.5	6.5	8.7	9.6	13.0	13.0	17.4
21"	4.6	6.2	6.2	8.3	9.1	12.4	12.4	16.6
22"	4.4	5.9	5.9	7.9	8.7	11.8	11.8	15.8
23"	4.2	5.7	5.7	7.6	8.3	11.3	11.3	15.1
24"	4.0	5.4	5.4	7.3	8.0	10.8	10.8	14.5
25"	3.8	5.2	5.2	7.0	7.7	10.4	10.4	13.9
26"	3.7	5.0	5.0	6.7	7.4	10.0	10.0	13.4
27"	3.6	4.8	4.8	6.4	7.1	9.6	9.6	12.9
28"	3.4	4.6	4.6	6.2	6.9	9.3	9.3	12.4

Easy Installation



Adjustment



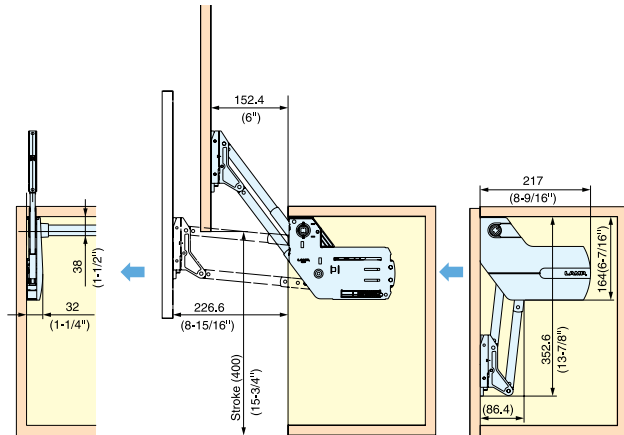
*Single or pair use depending on door size and weight.

Item No.	Type	Torque per piece	Material	Finish/Color	Weight (g)	Box (pcs)	Carton (pcs)	
SLS-ELAN-MR	Right	55 ~ 75 kg-cm (48 ~ 65 lbs-in)	<ul style="list-style-type: none"> • Aluminum • Steel • ABS 	<ul style="list-style-type: none"> • Anodized • Galvanized • Light Grey 	600	20	100	
SLS-ELAN-ML	Left							M-type (Medium Duty)
SLS-ELAN-HR	Right	75 ~ 100 kg-cm (65~87 lbs-in)						H-type (Heavy Duty)
SLS-ELAN-HL	Left							

SWING LIFT-UP STAY

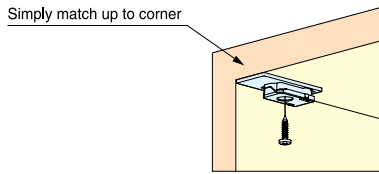


- Lapcon stay for SWING LIFT-UP DOORS.
- Lift-assist mechanism for extra light-opening.
- Free stop feature.
- Damper equipped for soft & quiet closing at the end.
- Simple installation by mounting guide plate and sliding in main body.
- No hinges are required.
- Connecting bar stays on in a fixed location for maximum space inside cabinet.
- Recommended Door Size and Weight :
 - Width, Max. 1500 mm (59")
 - Height, 390~500 mm (15-3/8"~19-11/16")/Door
 - Weight, 5~11 kg (11~24.2 lbs)/Door

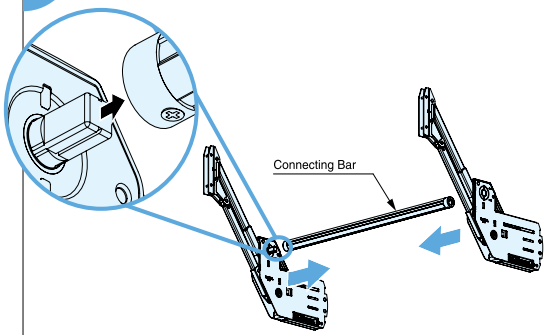


Simple Installation

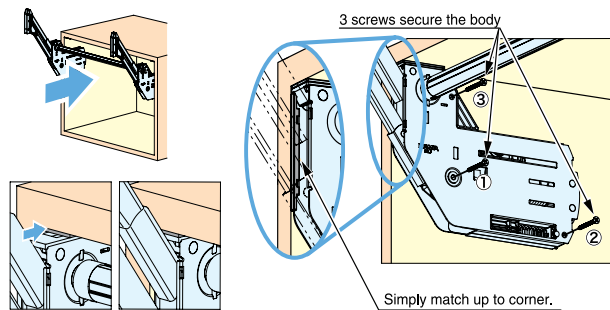
1 Guide plate installation



2 Connection bar installation



3 Body installation



Item No.	Door Weight (kg)	Door Height (mm)	Door Width (mm)	Box	Carton
SLU-ELAN-S4	5.0 - 6.5 (11.0~14.3 lbs)	390~500* (15-3/8"~19-11/16")	Max. 1500 (59")	1 set	5 set
SLU-ELAN-L4	6.5 - 8.0 (14.3~17.6 lbs)				
SLU-ELAN-M4	8.0 - 9.5 (17.6~20.9 lbs)				
SLU-ELAN-H4	9.5-11.0 (20.9~24.2 lbs)				

*Min. inside cabinet height is 360mm (14-3/16")

*Door weight includes handle.

■ Connecting Bar (Sold separately)

Item No.	Cabinet Width (mm)	Inside Dimensions (mm)
ELB-480	600 (23-5/8")	556- 566 (21-7/8"~22-1/4")
ELB-780	900 (35-1/2")	856- 866 (33-3/4"~34-1/8")
ELB-1080	1200 (47-1/4")	1156-1166 (45-1/2"~45-7/8")
ELB-1380	1500 (59")	1456-1466 (57-5/16"~57-3/4")

*Please specify the compartment width when ordering.

SLD

VERTICAL SWING DOWN MECHANISM



- Unique swing down mechanism provides a lift-assist feature to help open/close the doors easily & softly.
- Holds the door at the open position.
- Sleek, compact design provides maximum access.
- Easy installation.
- Adjustable arm mounting plate.
- Successfully passed for 30,000 open/close private cycle tests.

Designed to operate at room temperature
0°~40°C (32°~104°F).



VERTICAL SWING DOWN MECHANISM



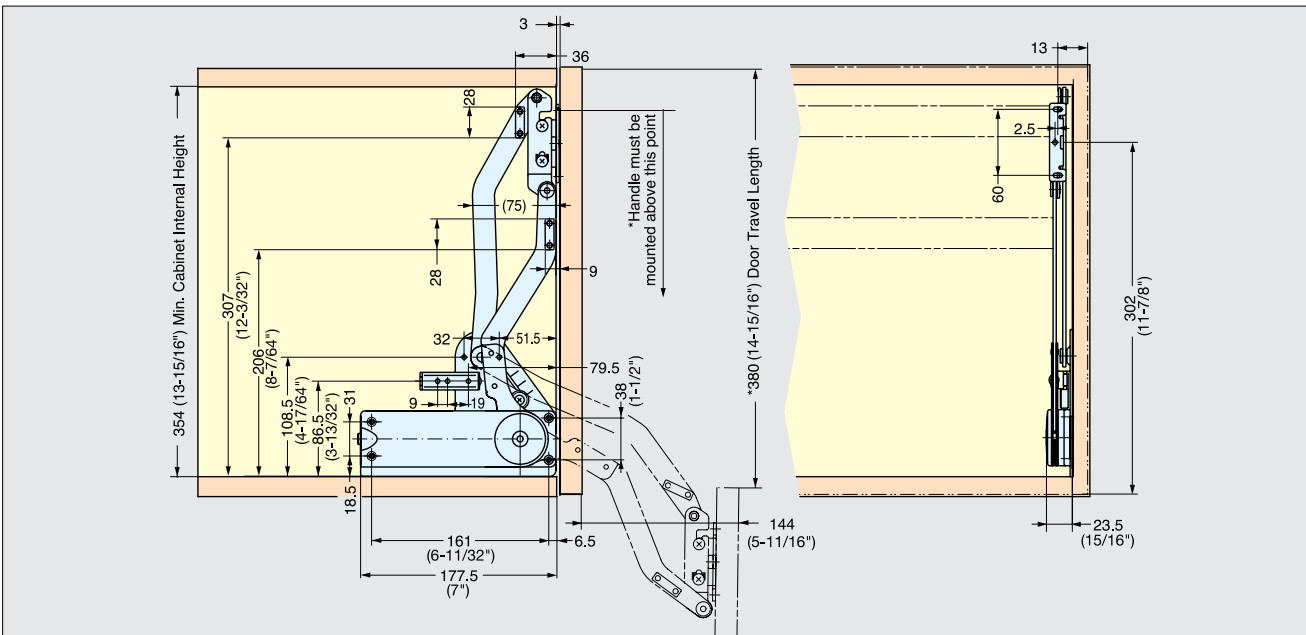
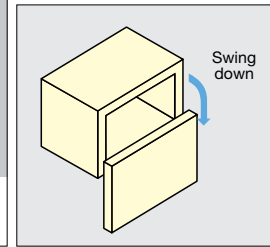
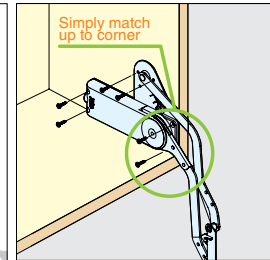
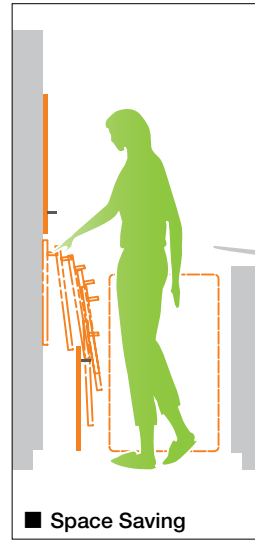
SLD

LID SUPPORTS

VERTICAL SWING DOWN MECHANISM



- Patented LAPCON technology provides a smooth and quiet motion
- Unique swing down mechanism will hold doors at the open position.
- Sleek & compact design.
- Easy installation.
- Adjustable arm mounting plate.
- Successfully passed 30,000 open/close private cycle tests.
- Recommended Door Size and Weight:
 - Width, 600~900 mm (23-5/8"~35-7/16")
 - Height, 360~400 mm (14-1/8"~15-3/4")
 - Weight, 3~6 kg (6.6~13.2 lbs)



Material	Finish/Color
Steel	Nickel
Plastic	Grey

Item No	Door Weight (kg)	Box (set)	Carton (set)
SLD-3	3~4 (6.6~ 8.8 lbs)	5	50
SLD-4	4~5 (8.8~11.0 lbs)		
SLD-5	5~6 (11.0~13.2 lbs)		

Guide Bar Length

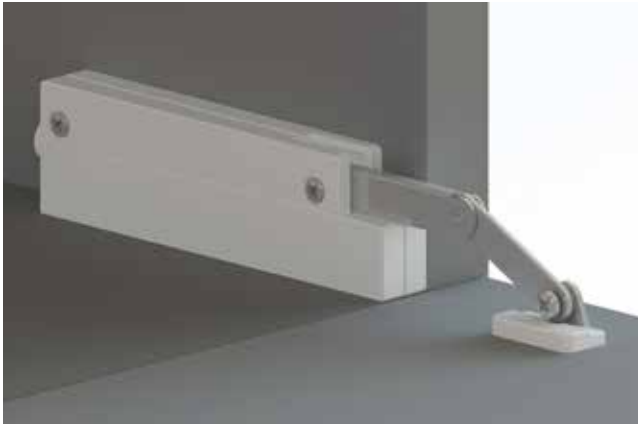
Door Type	Cabinet Width (mm)	
	600 (23-5/8")	900 (35-7/16")
Solid Wood Door	535 (21-1/16")	835 (32-7/8")
Frame Door	551 (21-3/4")	851 (33-1/2")

*SLUB-835 (835 mm (32-7/8")) included unless specified.

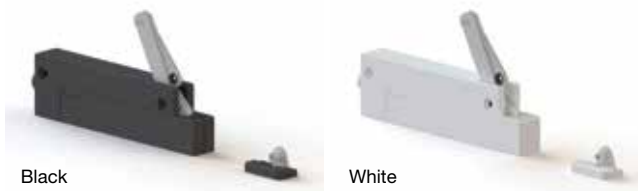
COMPACT SOFT-DOWN STAY



CSD-10-TV

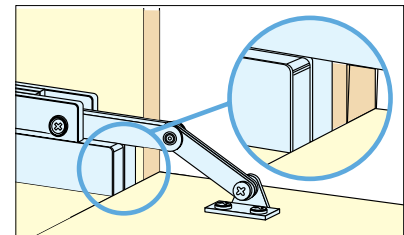
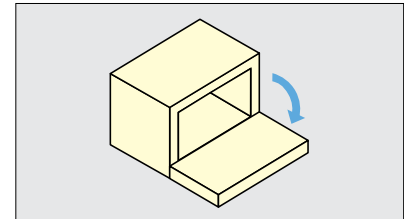


- Soft-down stay for (DOWNWARD-OPENING FLAP DOORS) with piano, butt, or drop hinge (SDH-001).
- Easy to install by aligning the body to the edge of a cabinet.
- Designed for smaller cabinet doors in media centers or TV consoles.
- Opening speed adjustable. The adjustment screw located on back for clean appearance.
- Easy to close.
- Holds lid in closed position.
- Torque Calculation:
 Torque = Door Height x 1/2 x Door Weight
 L-Type (Light Duty): 10.2~20.4 kg·cm (8.8~17.7 lbs-in)
 M-Type (Medium Duty): 20.4~30.6 kg·cm (17.7~26.6 lbs-in)
 H-Type (Heavy Duty): 30.6~40.8 kg·cm (26.6~35.4 lbs-in)

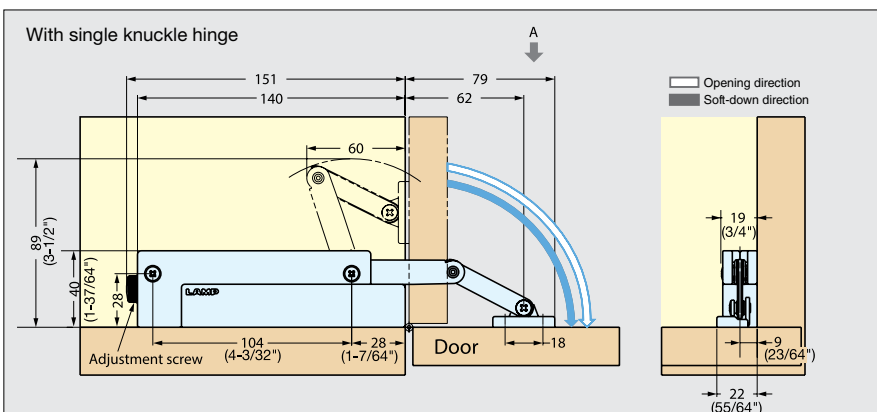
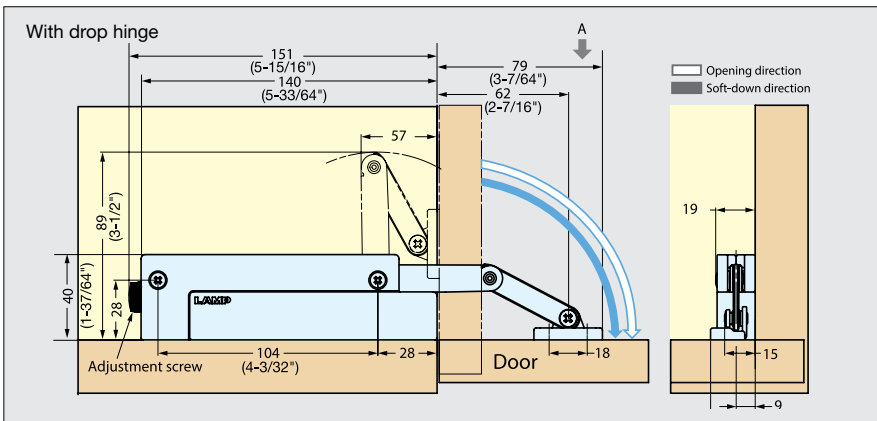


Black

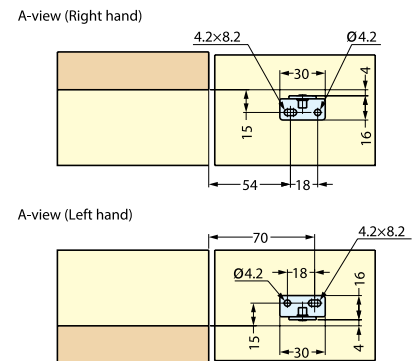
White



Installation



Installation of Mounting Plate



Item No.	Type	Torque (kg·cm)	Weight (g)	Box (pcs)	Carton (pcs)
CSD-10-TV-L-WT	Light Duty	10.2~20.4 (8.8~17.7 lbs-in)	125	10	100
CSD-10-TV-L-BL					
CSD-10-TV-M-WT	Medium Duty	20.4~30.6 (17.7~26.6 lbs-in)	130		
CSD-10-TV-M-BL					
CSD-10-TV-H-WT	Heavy Duty	30.6~40.8 (26.6~35.4 lbs-in)			
CSD-10-TV-H-BL					

Material	Finish/Color
Steel	Nickel
Plastic	White/Black

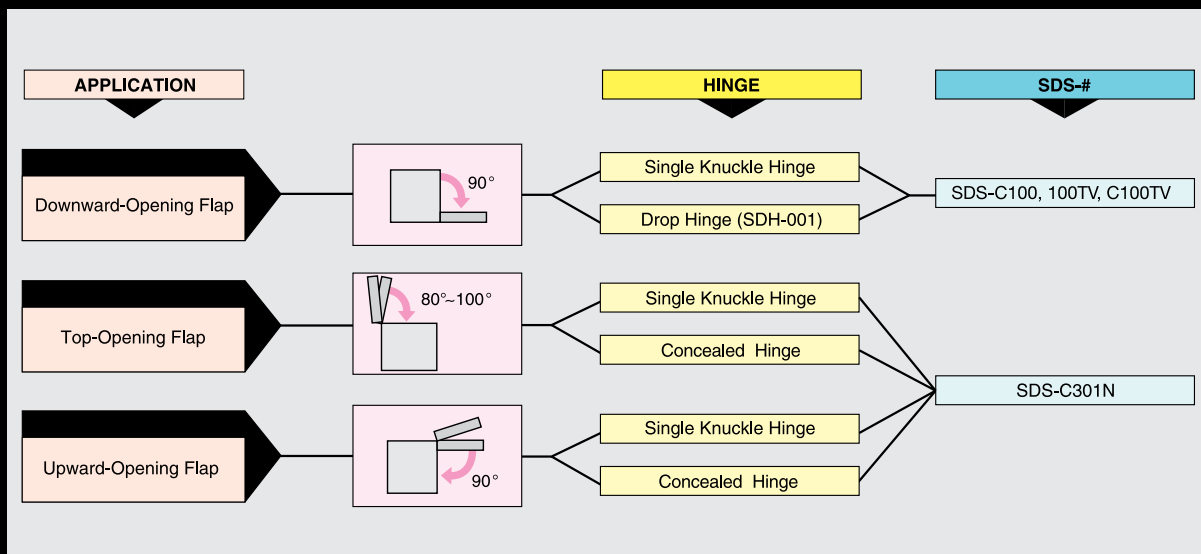
SDS

SOFT-DOWN STAY



- One-way rotary damper offers smooth and soft downward movement preventing lids or doors from slamming shut.
- Compact design.
- Easy installation.
- Recognized by LGA for 40,000 cycles.

Designed to operate at room temperature 0°~40°C (32°~104°F).



SOFT-DOWN STAY



SDS-C100

LID SUPPORTS

SOFT-DOWN STAYS



- For DOWNWARD-OPENING FLAP DOOR with concealed, piano, butt or drop hinges.
- SDS-C100 (with catch) is designed to hold door in closed position.
- Non-handed: Can be installed on left or right side.
- Torque Calculation:
 - Torque = Door Height x 1/2 x Door Weight
 - Per Piece : 35~50 kg·cm (30~43 lbs·inch)
 - Per Pair : 70~100 kg·cm (60~86 lbs·inch)
- Recommended Door Thickness : 20 mm (25/32")
- Short-arm version SDS-100TV (or C100TV) for smaller door height available. (Please see page 253 for details.)



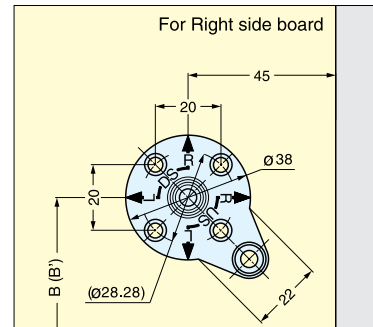
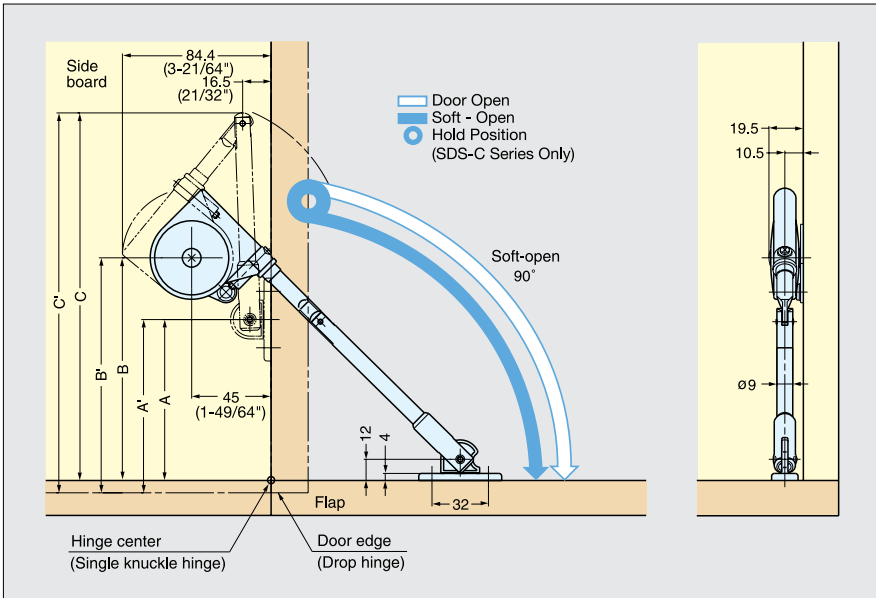
White



Black



Mounting Plate SDS-A



Hinge Type	A	A'	B	B'	C	C'
Single Knuckle Hinge	100 (3-15/16")	-	135 (5-5/16")	-	218 (8-37/64")	-
Drop Hinge	-	107 (4-7/32")	-	142 (5-19/32")	-	225 (8-55/64")

Item No.	Color	Weight (g)	Box (pcs)	Carton (pcs)
SDS-C100/WHT	White	167	20	100
SDS-C100/BLK	Black			

Material	Finish/Color
Steel, Zinc Alloy	Nickel
Plastic	Black (BLK)/White (WHT)

SOFT-DOWN STAY



SDS-C301N

LID SUPPORTS

SOFT-DOWN STAYS



- For UPWARD-OPENING FLAP DOOR with concealed, piano, butt or drop hinges.
- SDS-C301N is designed to hold door in closed and opened position.
- Non-handed: Can be installed on left or right side.
- Torque Calculation:
 - Torque = Door Height x 1/2 x Door Weight
 - Per Piece : 40~70 kg·cm (35~60 lbs·inch)
 - Per Pair : 80~140 kg·cm (70~120 lbs·inch)
- Recommended Door Thickness : 20 mm (25/32")



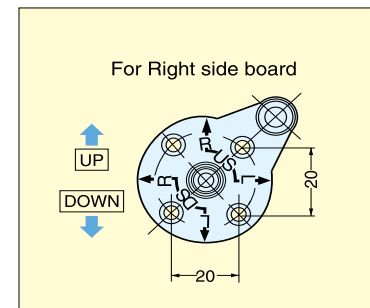
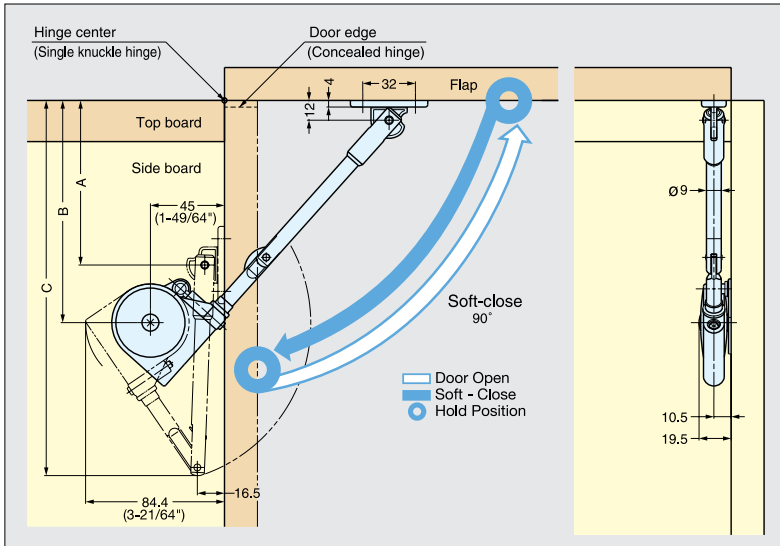
White



Black



Mounting Plate SDS-A



Hinge Type	Coverage	A	B	C
Concealed Hinge	-	108 (4-1/4")	143 (5-5/8")	232 (9-9/64")
Single Knuckle Hinge	Overlay	100 (3-15/16")	135 (5-5/16")	223 (8-25/32")
	Inset	97 (3-13/16")	132 (5-13/64")	220 (8-21/32")

Item No.	Color	Weight (g)	Box (pcs)	Carton (pcs)
SDS-C301N/WHT	White	165	20	100
SDS-C301N/BLK	Black			

Material	Finish/Color
Steel, Zinc Alloy	Nickel
Plastic	Black (BLK)/White (WHT)

SOFT-DOWN STAY

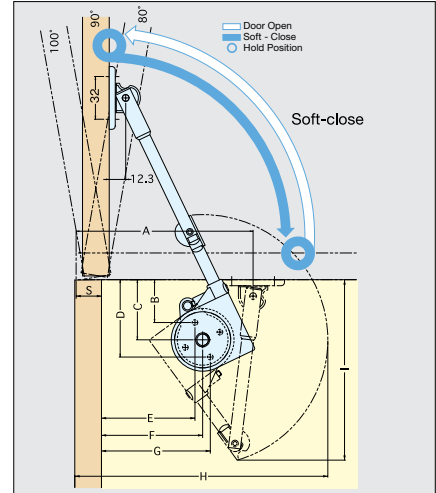


SDS-C301N

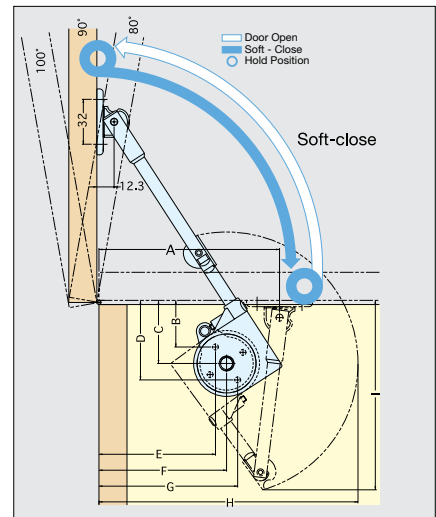


- For TOP-OPENING FLAP DOOR with concealed, piano, butt or drop hinges.
- Designed to hold door in fully opened position.
- Non-handed: Can be installed on left or right side.

With Concealed Hinge



With Single Knuckle Hinge



Material	Finish/Color
Steel, Zinc Alloy	Nickel
Plastic	Black (BLK)/White (WHT)

Concealed Hinge

Opening angle	A	B	C	D	E	F	G	H	I
	S=Overlay Coverage								
80°	141.0	31.9	45	58.1	98.2-S	103.5-S	108.8-S	197.5	134.8
90°	132.5	32.3		57.7	88.7-S	95.0-S	101.3-S	189.0	
100°	126.5	32.9		57.1	81.2-S	88.5-S	95.8-S	182.5	

Single Knuckle Hinge/Overlay Type

Opening angle	A	B	C	D	E	F	G	H	I	
80°	138.5	32.6		45	57.4	94.1	101	107.9		195
90°	128.5	33.2			56.8	83.1	91	98.9		185
100°	121.5	33.9	56.1		75.2	84	92.8	178		

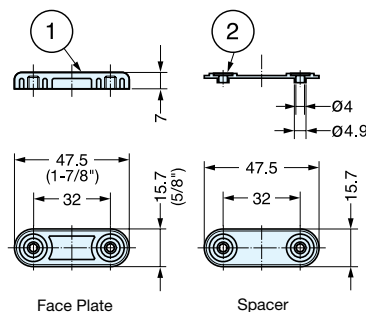
Single Knuckle Hinge/Inset Type

Opening angle	A	B	C	D	E	F	G	H	I	
80°	129.0	31.7		45	58.3	86.7	91.5	96.3		185.5
90°	118.5	32.0			58.0	75.3	81.0	86.7		175.0
100°	111.0	32.5	57.5		67.0	73.5	80.0	167.5		

SDS FACE PLATE



SDS-50G

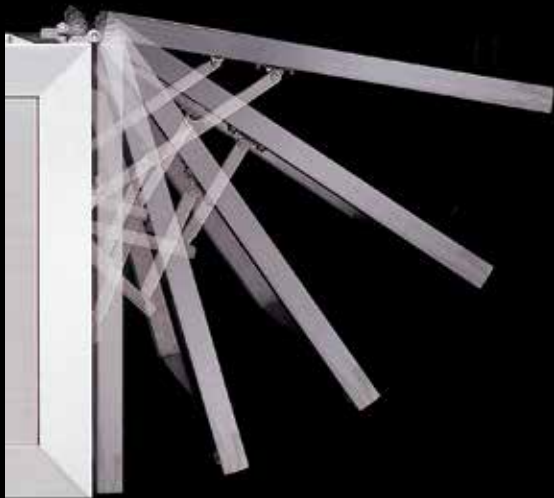


- Cover plate for glass/acrylic door applications.
- To be used with SDS or NSDX soft-down stays.

No.	Part Name	Material	Finish/Color
①	Face Plate	Zinc Alloy	Chrome (CR) Black (BLK)
②	Spacer	ABS	Black

Item No.	Weight (g)	Box	Carton
SDS-50G/BL	25	100	400
SDS-50G/CR			

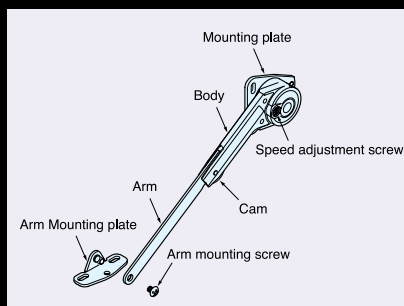
NSDX



ADJUSTABLE SOFT-DOWN STAY

- One-way rotary damper offers smooth and soft downward movement preventing lids or doors from slamming shut.
- Features adjustable soft-down speed.
- Adjustable opening angle.
- Easy installation.
- Recognized by LGA for 30,000 cycles.

Designed to operate at room temperature
0°~40°C (32°~104°F).



APPLICATION		MOUNTING SIDE	NSDX-#
Downward-Opening Flap		Right	NSDX-10RK
		Left	NSDX-10LK
Top-Opening Flap		Right	NSDX-20RK
		Left	NSDX-20LK
Upward-Opening Flap		Right	NSDX-35RK
		Left	NSDX-35LK

Arm Mounting Plates
Standard (included in NSDX) and optional "Arm Mounting Plates".

<p>NSDX-SZ <Standard> Mounting Plate for wooden door, Screw type</p>	<p>NSDX-AZ <Optional> Mounting Plate for aluminum frame door, Clip type</p>	<p>NSDX-GZ <Optional> • Mounting Plate for glass door, Clip type • Face Plate SDS-50G available as option.</p>
---	--	---

ADJUSTABLE SOFT-DOWN STAY (SHORT-ARM)



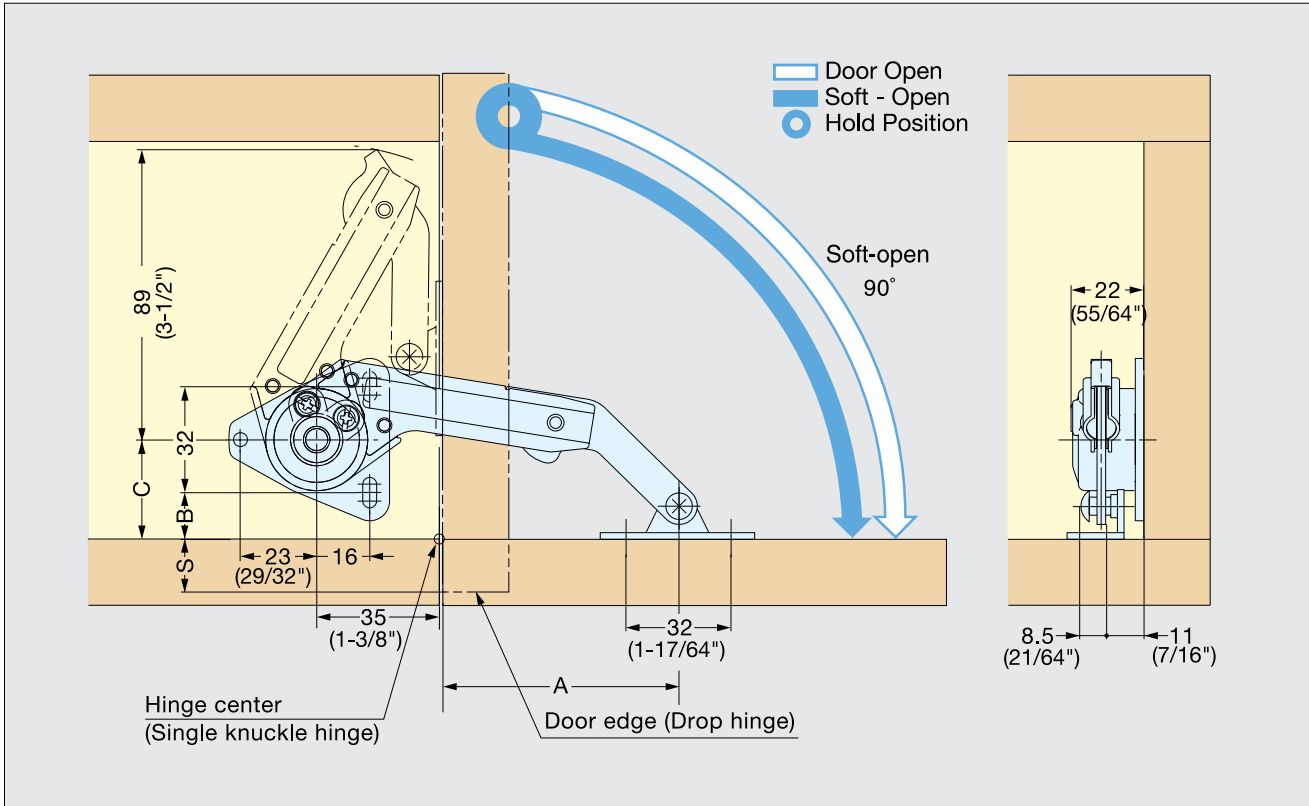
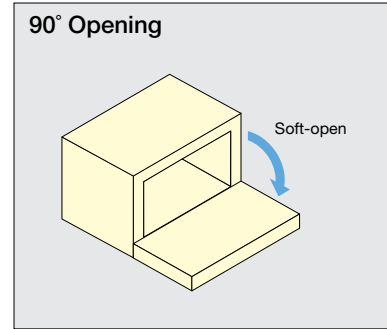
NSDX-10(R/L)K/TV

LID SUPPORTS

ADJUSTABLE COMPACT SOFT-DOWN STAYS



- For DOWNWARD-OPENING FLAP DOOR with concealed, piano, butt or drop hinges.
- Short arm type designed for shorter door height applications.
- Handed: Specific left and right hand mounting.
- Torque Calculation:
 - Torque = Door Height x 1/2 x Door Weight
 - Per Piece: 10 ~ 20 kgf·cm (8.7 ~ 17.4 lbs·in)
 - Per Pair: 20 ~ 40 kgf·cm (17.4 ~ 34.7 lbs·in)



Hinge Type	A	B	C
Drop Hinge	58 (2-9/32")+S	14 (35/64")	30 (1-3/16")
Single Knuckle Hinge	71 (2-51/64")	27 (1-1/16")	43 (2-9/16")

Item No.	Material	Finish	Weight (g)	Box (pcs)	Carton (pcs)
NSDX-10RK/TV	Zinc Alloy/Steel	Nickel	143	20	80
NSDX-10LK/TV					

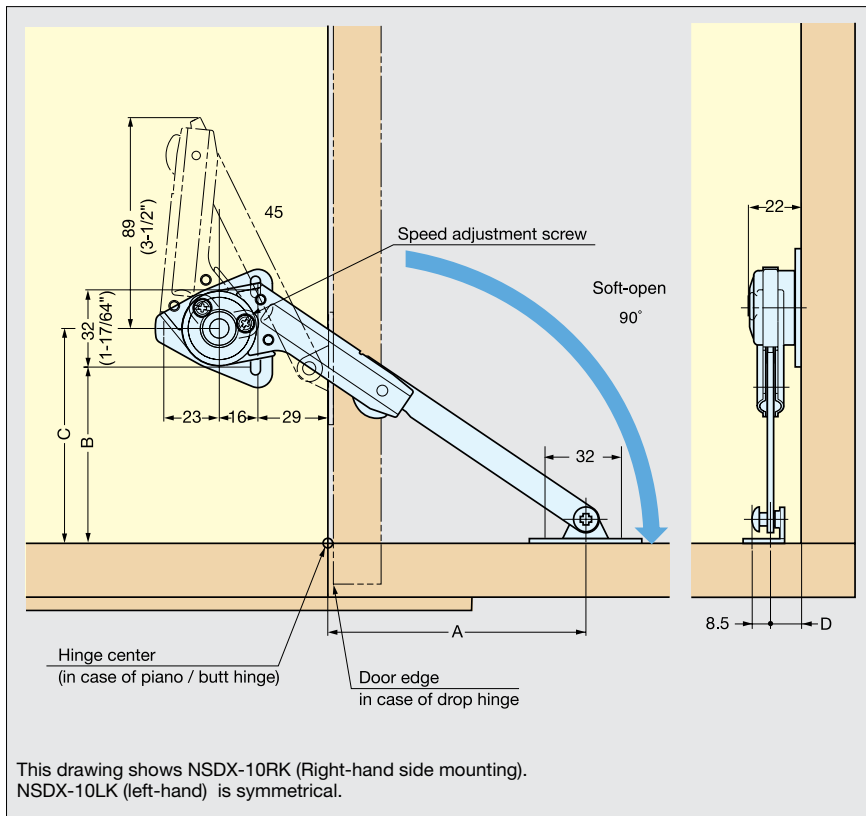
ADJUSTABLE SOFT-DOWN STAY



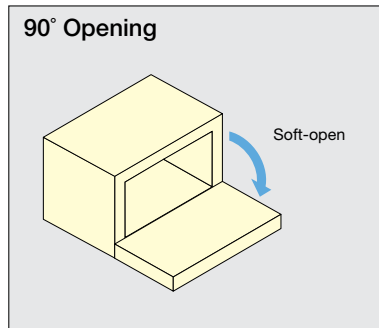
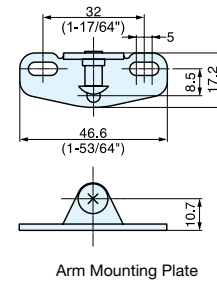
NSDX-10



- For DOWNWARD-OPENING FLAP DOOR with concealed, piano, butt or drop hinges.
- NSDX-10 is designed to hold door in closed position.
- Speed adjustment screw located on front for easy adjustment.
- Handed: Specific left and right hand mounting.
- Torque Calculation:
 - Torque = Door Height x 1/2 x Door Weight
 - Per Piece : 20~70 kg·cm (19~60 lbs·inch)
 - Per Pair : 40~140 kg·cm (38~120 lbs·inch)
- Short-arm version (NSDX-10(R/L)K/TV) for shorter door height available.



NSDX-SZ
<Standard>
Mounting Plate for wooden door, Screw type



☆ In case overlay 16 mm

Hinge Type	A	B	C	D
☆ Drop Hinge (SDH-001)	97 (3-13/16")	91 (3-37/64")	107 (4-7/32")	12.8 (1/2")
Piano/Butt Hinge	90 (3-35/64")	99 (3-57/64")	115 (4-17/32")	

Item No.	Weight (g)	Box (pcs)	Carton (pcs)	Material	Finish
NSDX-10RK	181	20	80	Zinc Alloy	Nickel
NSDX-10LK				Steel	

ADJUSTABLE SOFT-DOWN STAY



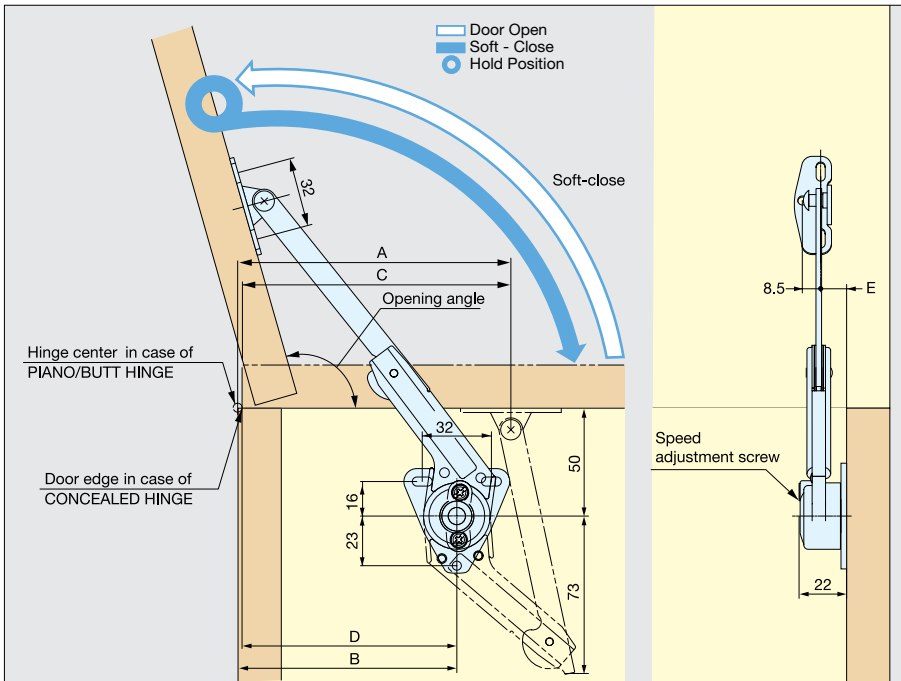
NSDX-20

LID SUPPORTS

ADJUSTABLE SOFT-DOWN STAYS



- For TOP-OPENING FLAP DOOR with piano, concealed, butt or drop hinges.
- Opening angle 70° or 105°.
- NSDX-20 is designed to hold door in fully opened position.
- Speed adjustment screw located on front for easy adjustment.
- Handed: Specific left and right hand mounting.
- Torque Calculation:
 - Torque = Door Height x 1/2 x Door Weight
 - Per Piece : 20~70 kg·cm (19~60 lbs·inch)
 - Per Pair : 40~140 kg·cm (38~120 lbs·inch)

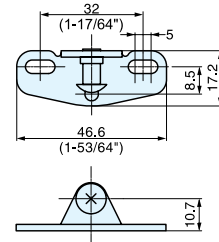


This drawing shows NSDX-20RK (Right-hand side mounting). NSDX-20LK (Left-hand) is symmetrical.

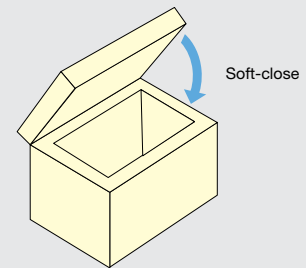
NSDX-SZ

<Standard>

Mounting Plate for wooden door, Screw type



70°~105° Opening



Opening Angle	Hinge Type	A	B	C	D	E
70°	Concealed Hinge	-	-	126 (4-61/64")	101 (3-31/32")	12 (15/32")
	Piano/Butt Hinge	125 (4-59/64")	100 (3-15/16")	-	-	
105°	Concealed Hinge	-	-	103 (4-1/16")	78 (3-5/64")	
	Piano/Butt Hinge	97 (3-13/16")	72 (2-53/64")	-	-	
Item No.	Weight (g)	Box (pcs)	Carton (pcs)	Material	Finish	
NSDX-20RK	Right	181	20	80	Zinc Alloy	Nickel
NSDX-20LK	Left				Steel	

ADJUSTABLE SOFT-DOWN STAY



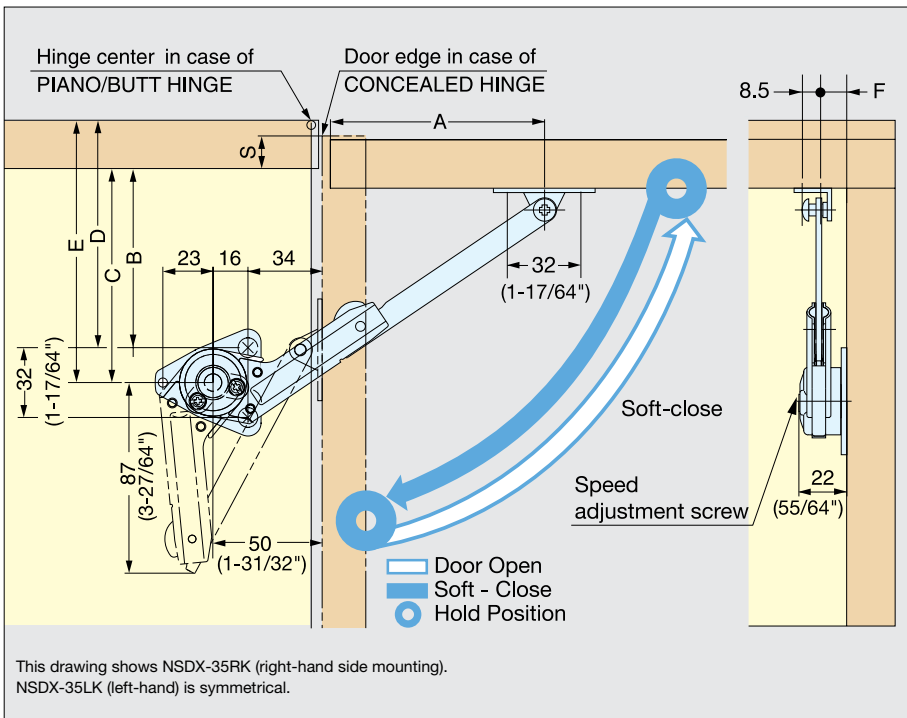
NSDX-35

LID SUPPORTS

ADJUSTABLE SOFT-DOWN STAYS



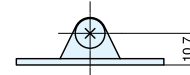
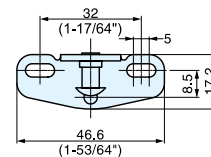
- For UPWARD-OPENING FLAP DOOR with piano, concealed butt or drop hinges.
- Opening angle 80°, 90° or 100°.
- NSDX-35 is designed to hold door in fully opened position.
- Speed adjustment screw located on front for easy adjustment.
- Handed: Specific left and right hand mounting.
- Torque Calculation:
 - Torque = Door Height x 1/2 x Door Weight
 - Per Piece : 20~70 kg·cm (19~60 lbs·inch)
 - Per Pair : 40~140 kg·cm (38~120 lbs·inch)



NSDX-SZ

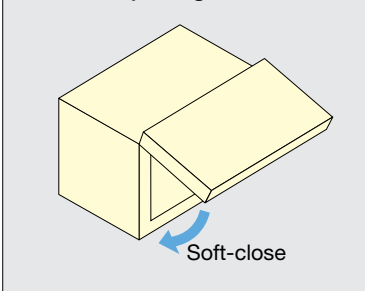
<Standard>

Mounting Plate for wooden door, Screw type



Arm Mounting Plate

80°~100° Opening



Note: "S" dimension is the overlay coverage for concealed hinge(s).

Opening Angle	Hinge Type	A	B	C	D	E	F
80°	Concealed Hinge	106.0 (4-11/64")	105.0 (4-9/64")-S	121.0 (4-49/64")-S	-	-	12
	Piano/Butt Hinge	100.0 (3-15/16")	-	-	99.0 (3-57/64")	115.0 (4-17/32")	
90°	Concealed Hinge	98.0 (3-35/64")	97.0 (3-13/16")-S	113.0 (4-29/64")-S	-	-	
	Piano/Butt Hinge	91.5 (3-39/64")	-	-	90.5 (3-9/16")	106.5 (4-3/16")	
100°	Concealed Hinge	92.5 (3-41/64")	91.5 (3-39/64")-S	107.5 (4-15/64")-S	-	-	
	Piano/Butt Hinge	85.0 (3-11/32")	-	-	84.0 (3-5/16")	100.0 (3-15/16")	

Item No.	Weight (g)	Box (pcs)	Carton (pcs)	Material	Finish
NSDX-35RK	181	20	80	Zinc Alloy	Nickel
NSDX-35LK				Steel	

HDS/HDSN

LID SUPPORTS

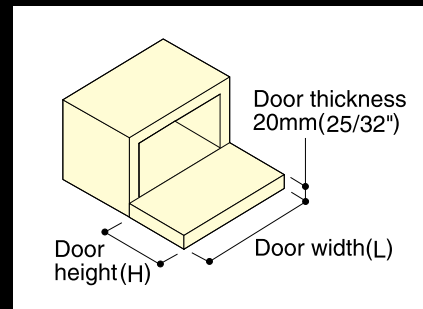
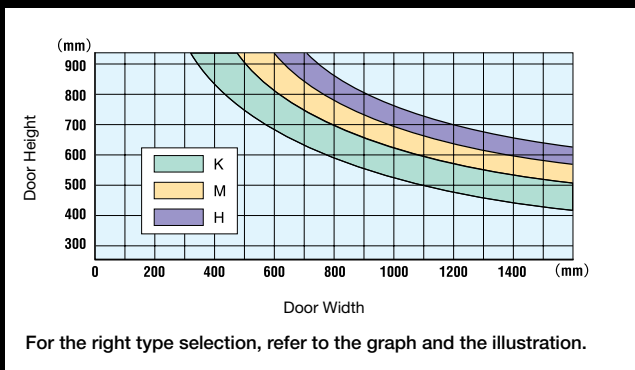
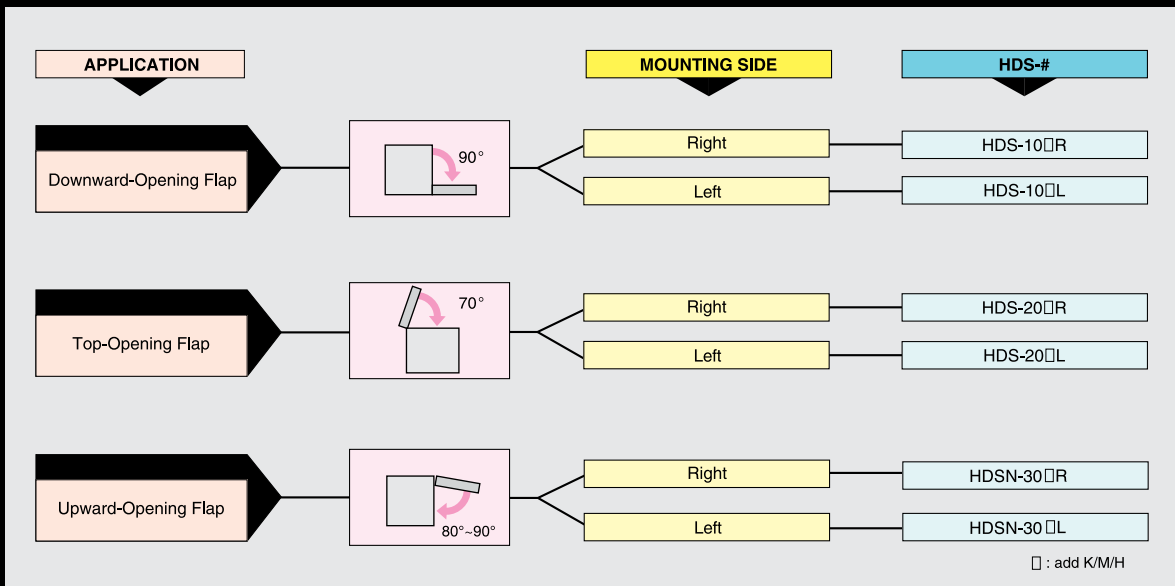
HEAVY DUTY SOFT-DOWN STAYS



HEAVY DUTY SOFT-DOWN STAY

- One-way rotary damper offers smooth and soft downward movement preventing lids or doors from slamming shut.
- Adjustable opening angle.
- Easy installation.
- Recognized by LGA for 30,000 cycles.

Designed to operate at room temperature
0°~40°C (32°~104°F).



HEAVY DUTY SOFT-DOWN STAY

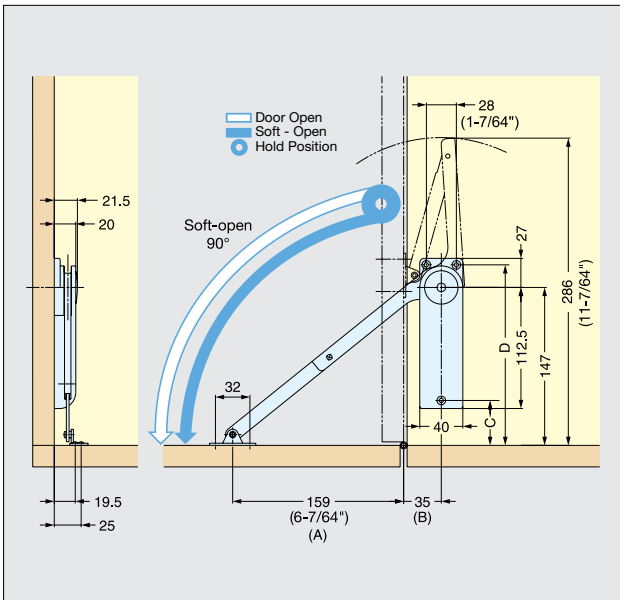


HDS-10

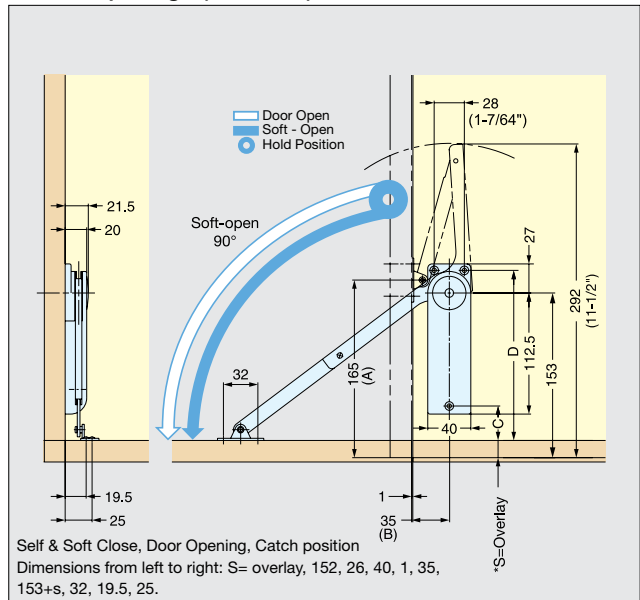


- For DOWNWARD-OPENING FLAP DOOR with concealed, piano, butt or drop hinges.
- HDS-10 is designed to hold door in closed and opened positions.
- Used in pairs
- Handed: Specific left and right hand mounting.
- Torque Calculation:
 - Torque = Door Height x 1/2 x Door Weight
 - K-Type (Light Duty) : 140~200 kg·cm (121~173 lbs·inch)/pair
 - M-Type (Medium Duty) : 200~250 kg·cm (173~216 lbs·inch)/pair
 - H-Type (Heavy Duty) : 250~300 kg·cm (216~260 lbs·inch)/pair

With Piano/Butt Hinge



With Drop Hinge (SDH-001)



*S=Overlay coverage in case of drop hinge

Hinge Type	A	B	C	D
Drop Hinge	165 (6-1/2")	35 (1-3/8")	48 (1-57/64") -S	174 (6-27/32") -S
Piano/Butt Hinge	159 (6-17/64")		42 (1-21/32")	168 (6-39/64")

Item No.		Type	Color	Torque (kg·cm/pair)	Weight (g)	Box (pcs)	Carton (pcs)	Material		Finish/Color	
Left	Right							Steel	Nickel	Plastic	Black (BLK)/White (WHT)
HDS-10KL/BLK	HDS-10KR/BLK	Light Duty	Black	140~200 (121-173 lbs-in)	290	40	200	Steel	Nickel	Plastic	Black (BLK)/White (WHT)
HDS-10KL/WHT	HDS-10KR/WHT		White								
HDS-10ML/BLK	HDS-10MR/BLK	Medium Duty	Black	200~250 (173-216 lbs-in)							
HDS-10ML/WHT	HDS-10MR/WHT		White								
HDS-10HL/BLK	HDS-10HR/BLK	Heavy Duty	Black	250~300 (216-260 lbs-in)	310						
HDS-10HL/WHT	HDS-10HR/WHT		White								

SELF CLOSE STAY



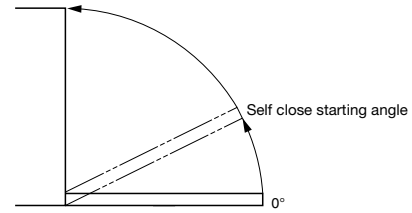
HDS-10S

LID SUPPORTS
SELF CLOSE STAYS



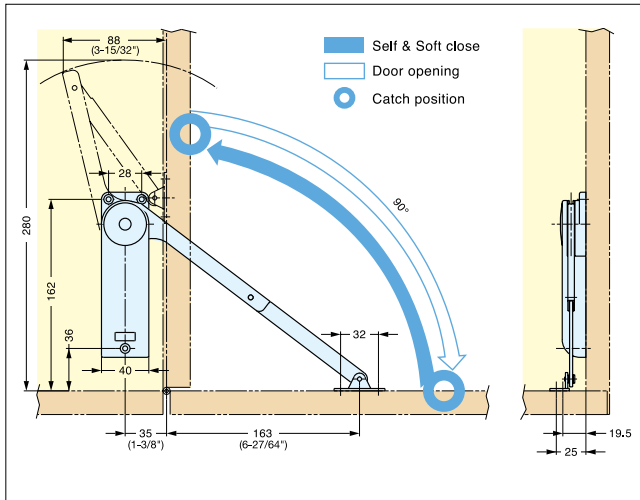
- For DOWNWARD-OPENING FLAP DOOR with piano, butt or drop hinges
- When pushed to close, HDS-10S is designed to self close and soft close
- Used in pairs
- Torque Calculation:
 Torque = Door Height × 1/2 × Door Weight
 K-Type: 60~95 kgf.cm (52.2~82.6 lbs. Inch)/ pair
 M-Type: 95~130 kgf.cm (82.6~113.0 lbs. Inch)/ pair
 H-Type: 110~160 kgf.cm (95.7~139.0 lbs. Inch)/ pair
 S-Type: 140~180 kgf.cm (121.7~156.5 lbs. Inch)/ pair

Self close starting angle

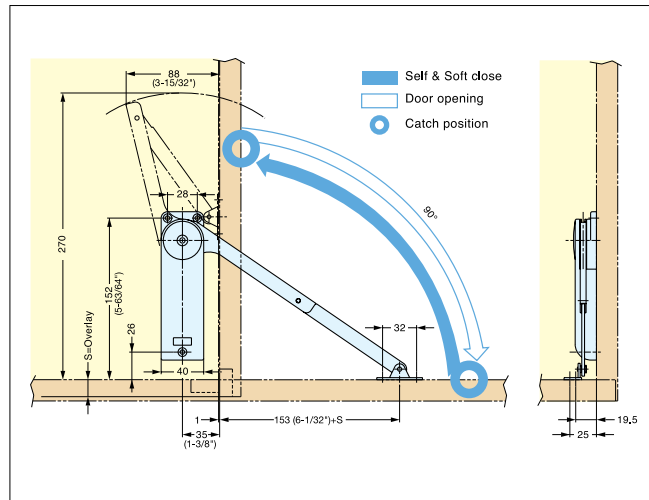


Type	Self close starting angle
K	5°~35°
M	5°~20°
H	
S	5°~15°

With Piano/Butt Hinge



With Drop Hinge (SDH-001)



Item No.	Type	Torque per 2 pieces (kgf·cm)
HDS-10S-K-BL	Light	60~95 (52.2~ 82.6 lbs-in)
HDS-10S-K-WT		
HDS-10S-M-BL	Medium	95~130 (82.6~113.0 lbs-in)
HDS-10S-M-WT		
HDS-10S-H-BL	Heavy	110~160 (95.7~139.0 lbs-in)
HDS-10S-H-WT		
HDS-10S-S-BL	Super Heavy	140~180 (121.7~156.5 lbs-in)
HDS-10S-S-WT		

Item No.			
Left	Right		
HDS-10S-KL/BL	HDS-10S-KR/BL		
HDS-10S-KL/WT	HDS-10S-KR/WT		
HDS-10S-ML/BL	HDS-10S-MR/BL		

No.	Part Name	Material	Finish
①	Body	ABS plastic	Black/White
②	Arm	Steel	Nickel
③	Mounting Plate		

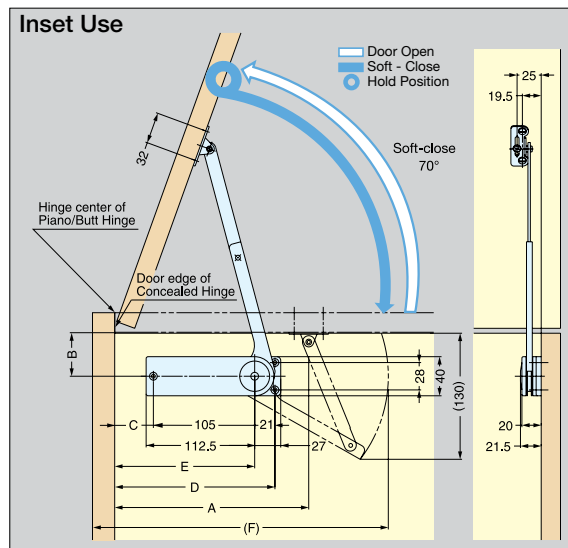
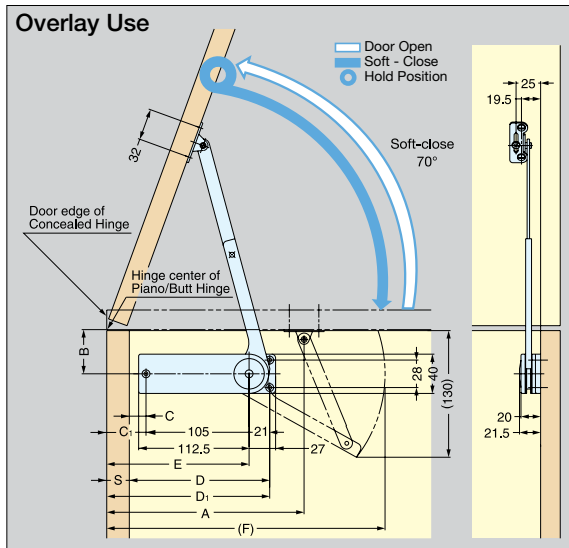
HEAVY DUTY SOFT-DOWN STAY



HDS-20



- For TOP-OPENING FLAP DOOR with concealed, piano, butt or concealed hinges.
- Used in pairs.
- HDS-20 is designed to hold door in fully opened position.
- Handed: Specific left and right hand mounting.
- Torque Calculation:
- Torque = Door Height x 1/2 x Door Weight
- K-Type (Light Duty) : 140~200kg·cm (121~173 lbs·inch)/pair
- M-Type (Medium Duty) : 200~250 kg·cm (173~216 lbs·inch)/pair
- H-Type (Heavy Duty) : 250~300 kg·cm (216~260 lbs·inch)/pair



Inset Use

Hinge Type	A	B	C	D	E	F
Concealed Hinge	203 (7-63/64")	45 (1-49/64")	46 (1-13/16")	172 (6-49/64")	151 (5-15/16")	286 (11-17/64")
Piano/Butt Hinge	190 (7-31/64")		33 (1-19/64")	159 (6-17/64")	138 (5-7/16")	273 (10-3/4")

Overlay Use

Hinge Type	A	B	C	D	C ₁	D ₁	E	F
Concealed Hinge	198.5 (7-13/16")	45 (1-49/64")	42-S (1-21/32")	168-S (6-39/64")	-	-	145.0 (5-45/64")	283.5 (11-5/32")
Piano/Butt Hinge			-	-	41 (1-39/64")	167 (6-37/64")	142.5 (5-39/64")	281.0 (11-1/16")

S=Overlay coverage in case of concealed hinge (mm)

Item No.		Type	Color	Torque (kg·cm/pair)	Weight (g)	Box (pcs)	Carton (pcs)	Material	Finish/Color
Left	Right							Steel	Nickel
HDS-20KL/BLK	HDS-20KR/BLK	Light Duty	Black	140~200 (121-173 lbs-in)	280	40	200	Plastic	Black(BLK)/White(WHT)
HDS-20KL/WHT	HDS-20KR/WHT		White						
HDS-20ML/BLK	HDS-20MR/BLK	Medium Duty	Black	200~250 (173-216 lbs-in)	290	40	200	Plastic	Black(BLK)/White(WHT)
HDS-20ML/WHT	HDS-20MR/WHT		White						
HDS-20HL/BLK	HDS-20HR/BLK	Heavy Duty	Black	250~300 (216-260 lbs-in)	300	40	200	Plastic	Black(BLK)/White(WHT)
HDS-20HL/WHT	HDS-20HR/WHT		White						

SELF OPENING STAY



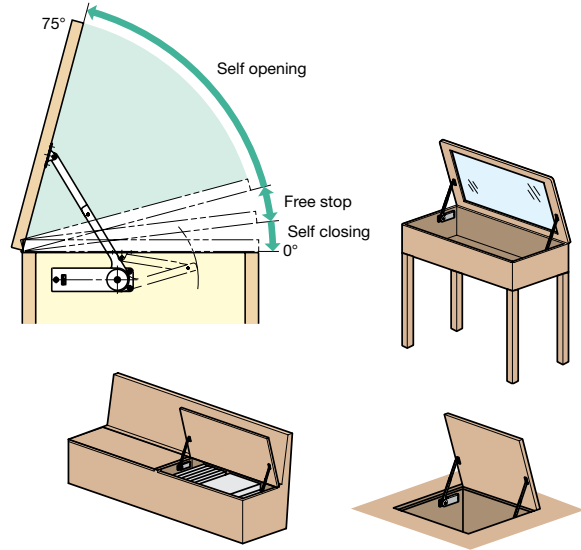
HDS-20S

LID SUPPORTS

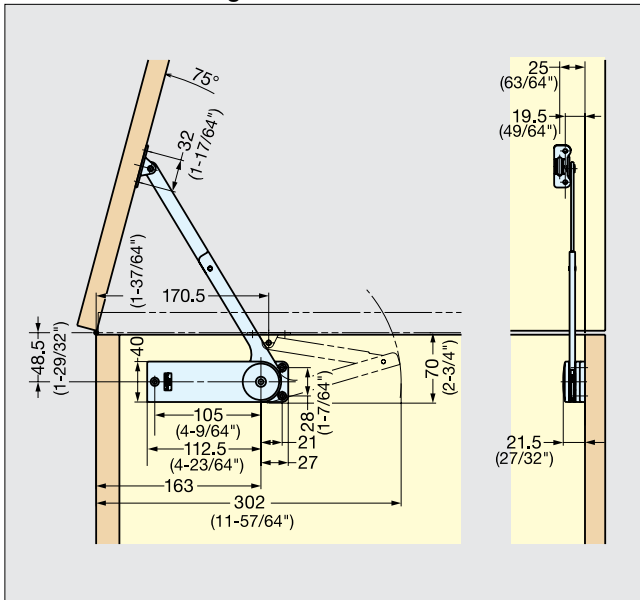
SELF OPENING STAYS



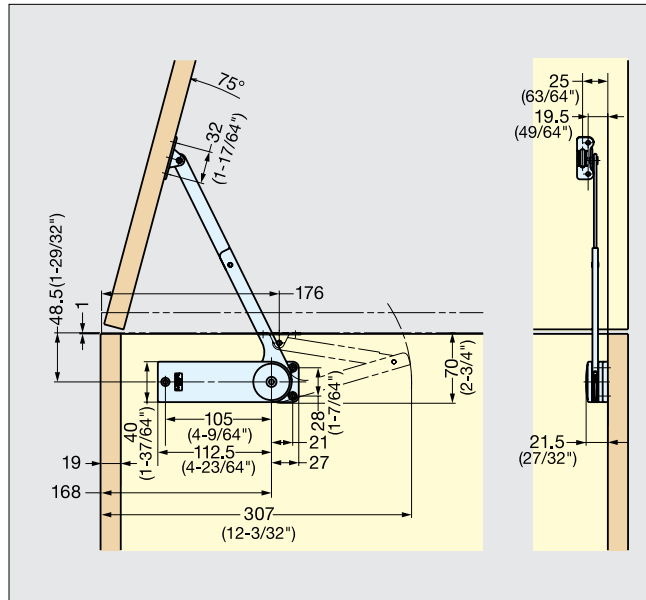
- Lid will self open past the free stop angle.
- For TOP-OPENING FLAP DOOR with piano, butt or concealed hinges.
- HDS-20S is designed to hold door in fully opened position.
- Used in pairs.
- Torque Calculation:
 Torque = Door Height x 1/2 x Door Weight
 H-Type : 70~110 kg-cm (61~95 lbs-in)/pair
 S-Type : 111~150 kg-cm (96~130 lbs-in)/pair



With Piano/Butt Hinge



With Concealed Hinge



Item No.		Type	Torque (kg-cm/pair)	Weight (g)	Box (pcs)	Carton (pcs)
Left	Right					
HDS-20S-HL-BL	HDS-20S-HR-BL	H	70~110 kg-cm (61~87 lbs-in)	300	40	200
HDS-20S-HL-WT	HDS-20S-HR-WT					
HDS-20S-SL-BL	HDS-20S-SR-BL	S	111~150 kg-cm (96~130 lbs-in)			
HDS-20S-SL-WT	HDS-20S-SR-WT					

Material	Finish/Color
Steel	Nickel
Plastic	Black/White

HEAVY DUTY SOFT-DOWN STAY

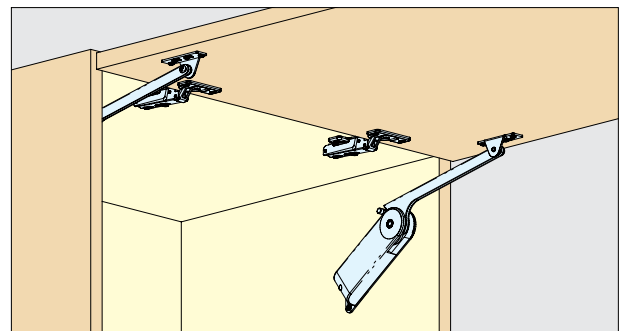
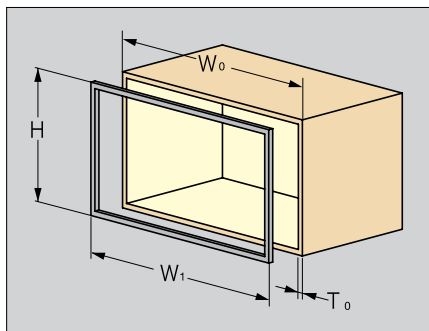
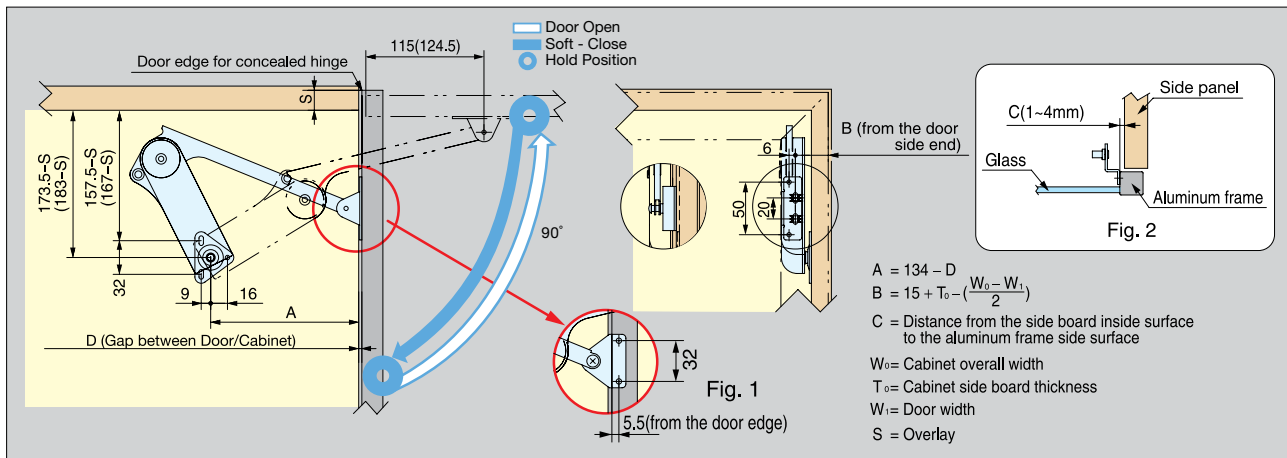


HDSN-30



- For UPWARD-OPENING FLAP DOOR with concealed hinges.
- Used in pairs.
- HDSN-30 is designed to hold door in closed and opened position.
- Handed: Specific left and right hand mounting.
- Torque Calculation:
 - Torque = Door Height x 1/2 x Door Weight
 - In case of opening angle 90°
 - K-Type (Light Duty) : 140~179kg·cm (122~155 lbs-in)/pair
 - M-Type (Medium Duty) : 180~219kg·cm (156~190 lbs-in)/pair
 - H-Type (Heavy Duty) : 220~259kg·cm (191~225 lbs-in)/pair
 - S-Type (Super Heavy Duty) : 260~300kg·cm (226~260 lbs-in)/pair

Dimensions are for 90° opening, solid wood or 45mm width aluminum frame door.
 For 80° opening, please use the figures in ().
 Fig.1 and Fig. 2 show the dimensions for 20 mm width aluminum frame door using mounting plate HDSN-AZ.
 Recommended concealed hinge is overlay/105° opening/free swing type.



Arm Mounting Plate (Sold separately, please specify when ordering.)

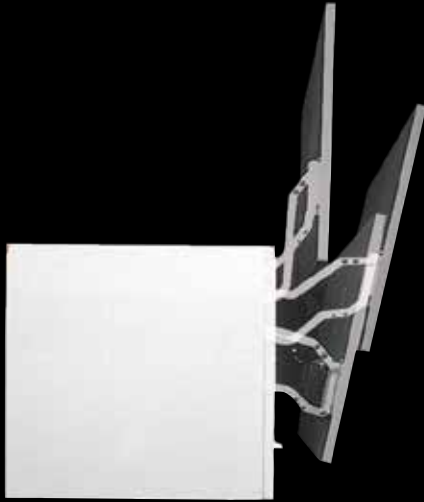
Item No.	Applicable Door	Material	Finish/Color
HDSN-SZ	45mm width aluminum frame door or wood door	Steel	Nickel
HDSN-AZ	20mm width aluminum frame door	Plastic	Light Grey

Item No.		Type	Door torque		Box (pcs)	Carton (pcs)
Left	Right		Opening angle 90°	Opening angle 80°		
HDSN-30KL	HDSN-30KR	K	140~179 kg·cm (122~155 lbs-in)	140~199 kg·cm (122~173 lbs-in)	40	200
HDSN-30ML	HDSN-30MR	M	180~219 kg·cm (156~190 lbs-in)	200~249 kg·cm (174~216 lbs-in)		
HDSN-30HL	HDSN-30HR	H	220~259 kg·cm (191~225 lbs-in)	250~299 kg·cm (217~260 lbs-in)		
HDSN-30SL	HDSN-30SR	S	260~300 kg·cm (226~260 lbs-in)	300~350 kg·cm (261~303 lbs-in)		

SLUN

VERTICAL SWING LIFT-UP MECHANISM

- Unique swing mechanism provides a lift-assist feature to help lift doors and hold at the opened position.
- Sleek, compact design provides maximum access.
- Easy installation.
- Successfully passed for 30,000 open/close private cycle tests.



Designed to operate at room temperature
0°~40°C (32°~104°F).



LID SUPPORTS

VERTICAL SWING LIFT-UP MECHANISM

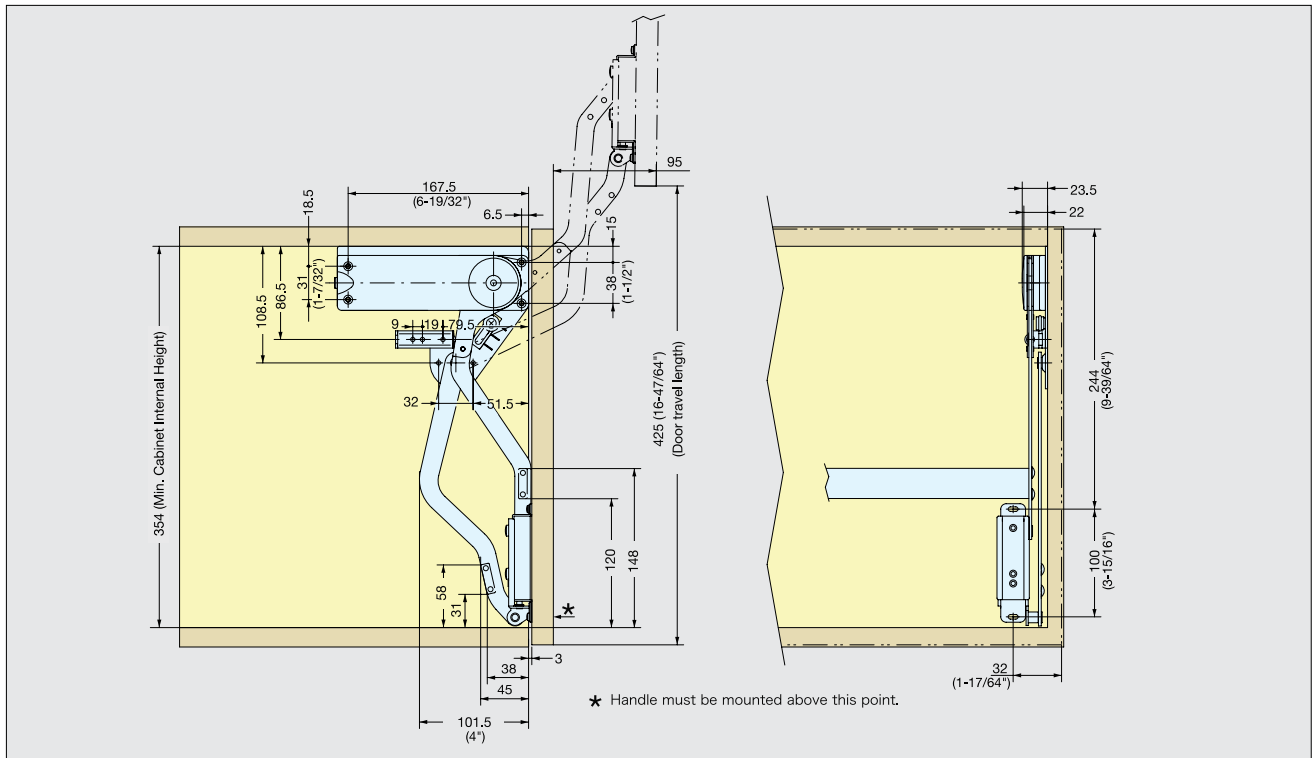
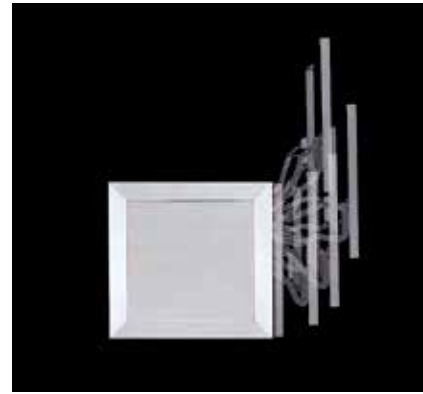
VERTICAL SWING LIFT-UP MECHANISM



SLUN



- Patented LAPCON technology provides a smooth and quiet motion.
- Unique mechanism will help lift doors and hold at the open position.
- Sleek & compact design.
- Easy installation.
- Adjustable arm mounting plate.
- Successfully passed 30,000 open/close private cycle tests.
- Recommended Door Size and Weight:
 - Width, 600~900 mm (23-5/8"~35-7/16")
 - Height, 390~450 mm (15-23/64"~17-23/32")/door
 - Weight, 2.8~5.8 kg (6.2~12.8 lbs)/door



Guide Bar Length (Please specify the door width when ordering.)

	Cabinet Width (mm)	
	600(23-5/8")	900(35-7/16")
Solid Wood Door	535	835
Frame Door	551	851

Item No	Door Weight (kg)	Box (set)	Carton (set)
SLUN-3N	2.8~3.8 (6.2~ 8.4 lbs)	5	50
SLUN-4N	3.8~4.8 (8.4~10.6 lbs)		
SLUN-5N	4.8~5.8 (10.6~12.8 lbs)		

Material	Finish/Color
Steel	Nickel
Plastic	Grey

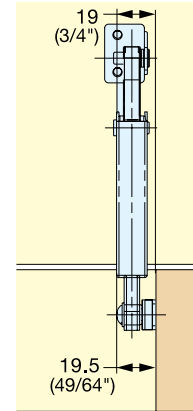
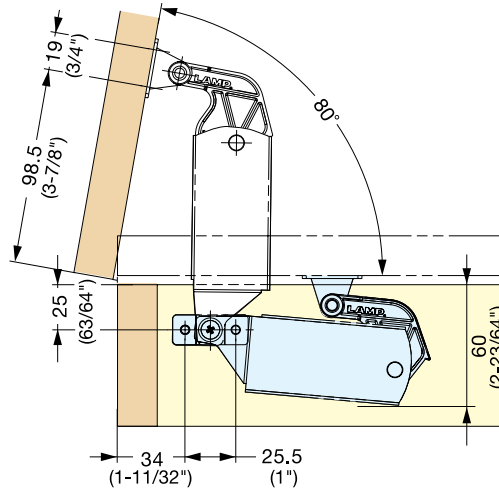
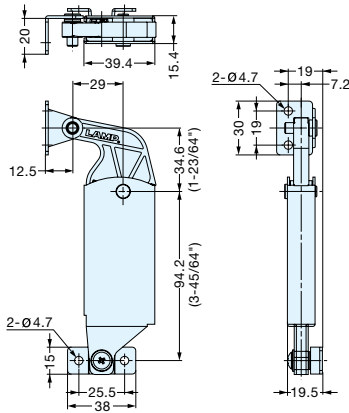
HEAVY DUTY SPRING LOADED LID STAY



S-AT01, S-AT02



- Side wall mounted.
- Spring mechanism assists in lifting door and holds in open position (10°~80°).
- Can be installed individually or in pairs.
- Non-Handed: Can be installed on left or right side.
- Does not work with concealed hinges.



Item No.	Material	Finish	Max. Torque per piece (kgf-cm)	Box (pcs)	Carton (pcs)
S-AT01	430 Stainless Steel/ Steel/Polyacetal	Plain	90 (78 lbs-in)	10	50
S-AT02			120 (104 lbs-in)		

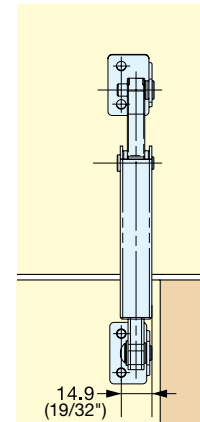
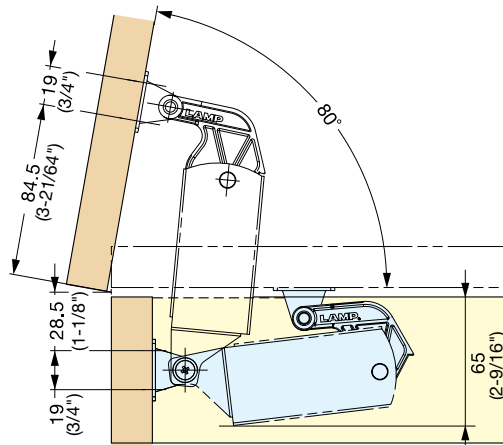
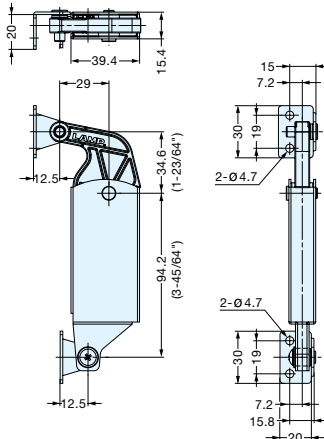
HEAVY DUTY SPRING LOADED LID STAY



S-AT01S, S-AT02S



- Back panel mounted.
- Spring mechanism assists in lifting door and holds in open position (10°~80°).
- Can be used individually or in multiples.
- Does not work with concealed hinges.



Item No.	Material	Finish	Max. Torque per piece (kgf-cm)	Box (pcs)	Carton (pcs)
S-AT01S	430 Stainless Steel/ Steel/Polyacetal	Plain	90 (78 lbs-in)	10	50
S-AT02S			120 (104 lbs-in)		

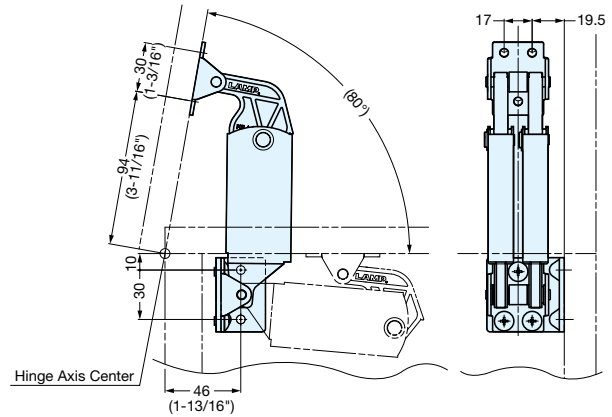
HEAVY DUTY SPRING LOADED LID STAY



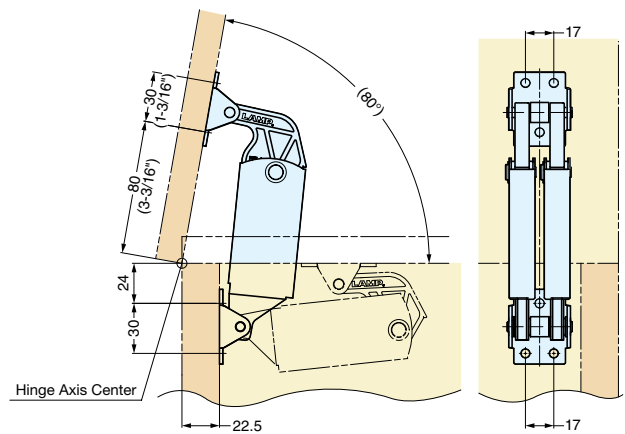
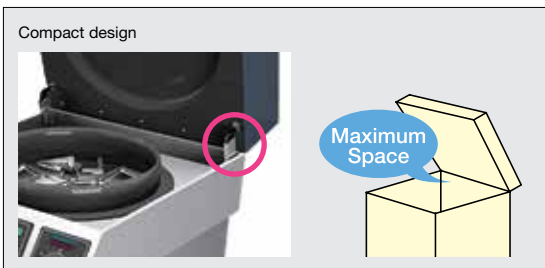
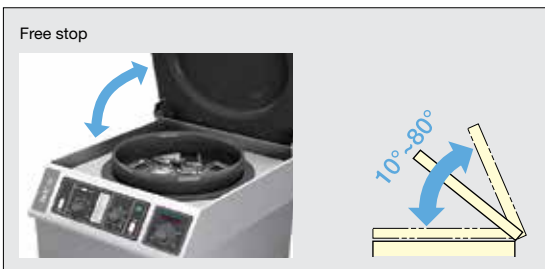
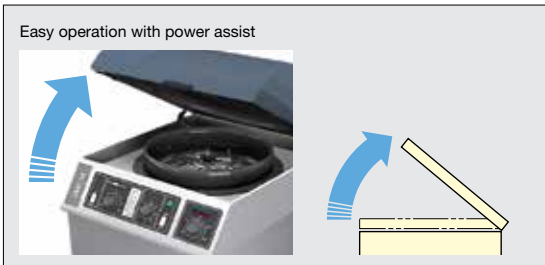
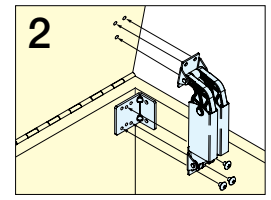
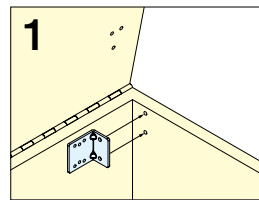
S-AT02W



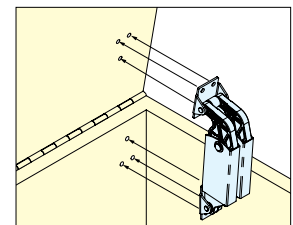
- Heavy duty spring mechanism assists in lifting door and holds in open position (10~80°).
- Side or back mount type.



Installation: Side Panel



Installation: Back Panel



Item No.	Material	Finish	Max. Torque per piece (kgf-cm)		Weight (g)	Box (pcs)	Carton (pcs)
			Side Mount	Back Mount			
S-AT02W	430 Stainless Steel/Steel/Polyacetal	Plain	Side Mount	180~214 (156.5~186.1 lbs-in)	490	1	10
			Back Mount	153~168 (133.0~146.1 lbs-in)			

SPRING LOADED LID STAY



S-YT

LID SUPPORTS

SPRING LOADED LID STAYS



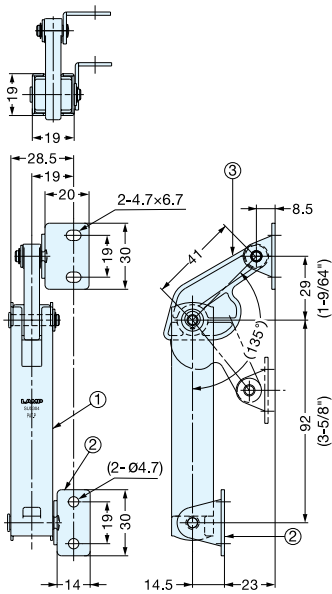
Back panel mount type

Side mount type
(Left handed shown)

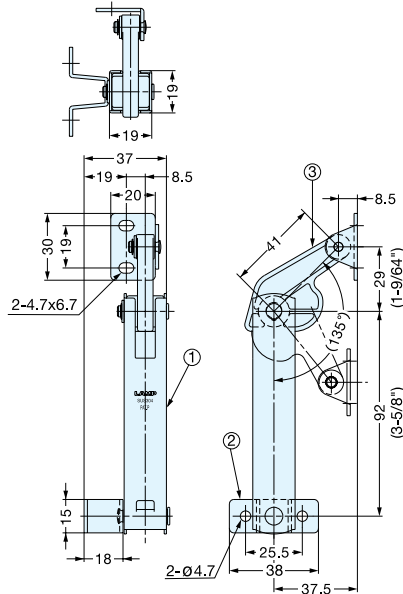
- Spring mechanism assists in lifting door and holds in open position.
- Handed: Specific left and right hand mounting.



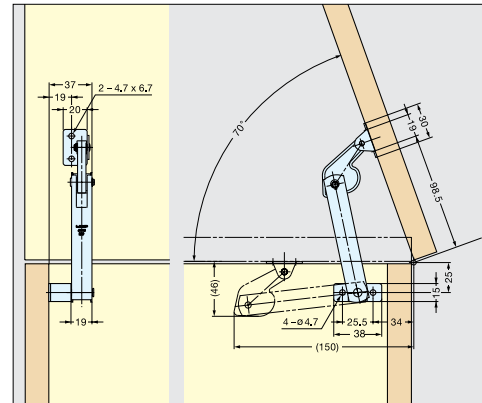
Side mount type



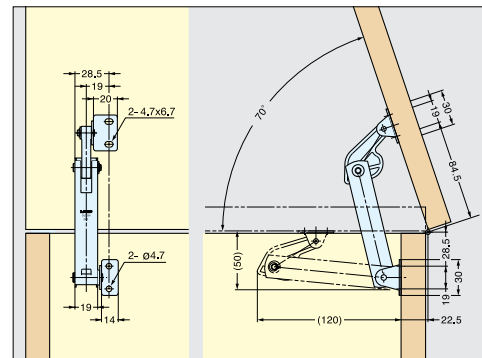
Back panel mount type



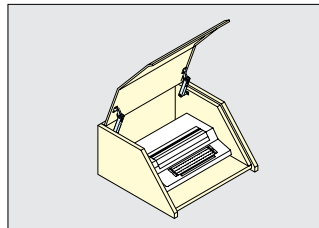
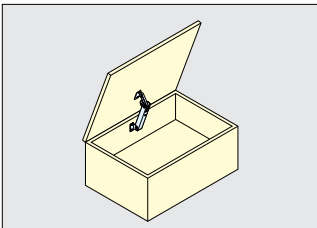
Side mount type



For side mount type



For back panel mount type



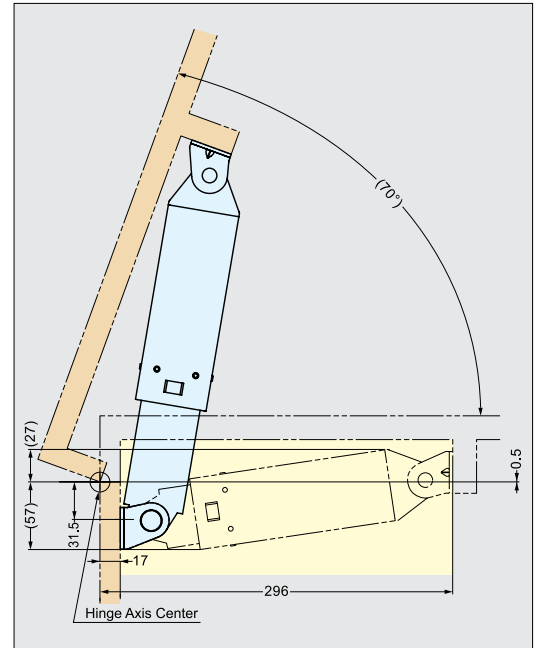
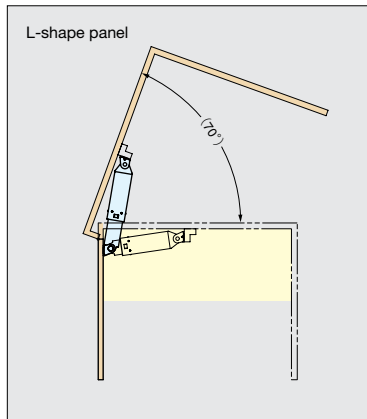
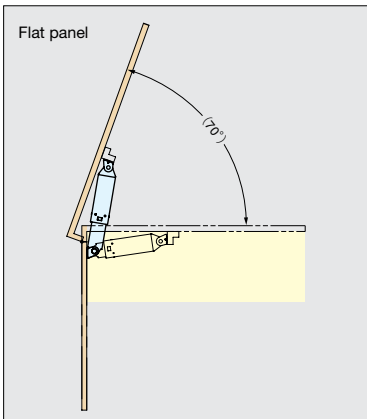
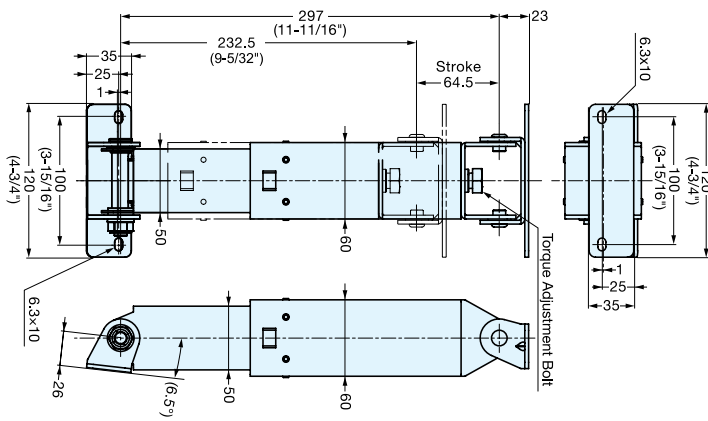
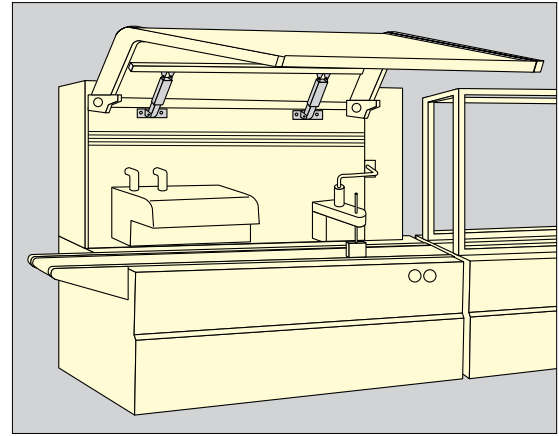
No.	Part Name	Material	Finish
①	Body	304 Stainless Steel	Polished
②	Bracket		
③	Arm	Polycetal	-

Item No.		Spring Tension	Mounting Type	Max. Torque (kgf-cm)	Weight (g)	Box (pcs)	Carton (pcs)
Left	Right						
S-YT01L	S-YT01R	Soft	Side	30 (26 lbs-in)	118	10	100
S-YT02L	S-YT02R	Hard		40 (34 lbs-in)			
S-YT01S		Soft	Back Panel	30 (26 lbs-in)			
S-YT02S		Hard		40 (34 lbs-in)			

HEAVY DUTY SPRING LOADED LID STAY S-ATH



- For heavy top covers
- 2 types of stays available for different lid shapes.
- Lift assist can be adjusted.



Item No.	Panel Shape	Finish	Max. Torque per piece (kgf·cm)	Weight (g)	Carton (pcs)	Material
S-ATH-60S	Flat	Satin	610 (530.0 lbs-in)	2,500	1	304 Stainless Steel
S-ATH-70S	L-shape		710 (617.0 lbs-in)			

LIFT ASSIST DAMPER (W/ANGLE STOPPER)

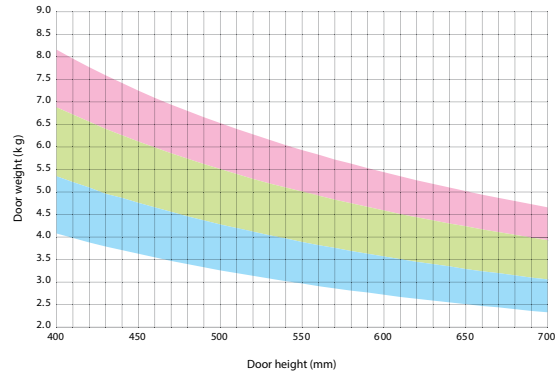
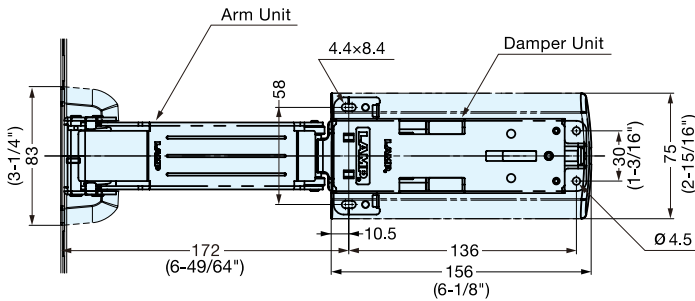
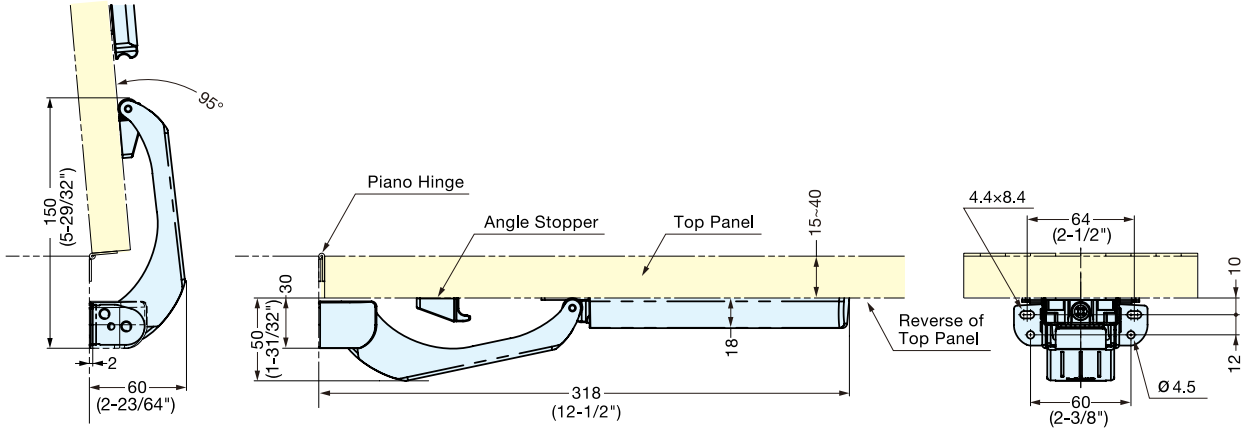
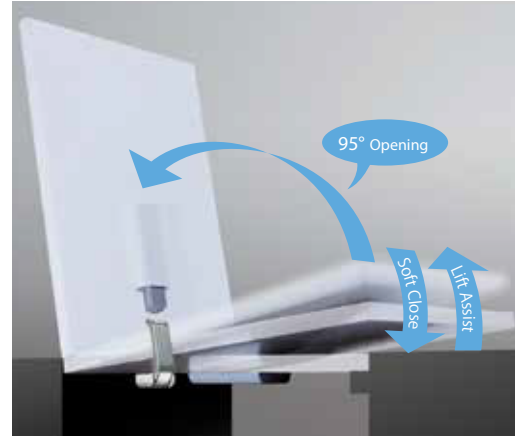


LAD-ST

LID SUPPORTS

LIFT ASSIST DAMPERS (W/ANGLE STOPPER)

- Ideal for bar and countertop applications.
- Angle stopper designed to hold open at 95°.
- Damper equipped for soft closing.
- Simple surface mount installation.



Item No.	Max. Torque per piece (kgf·cm)	Panel Thickness	Weight (g)	Carton (pcs)	Material	Finish
LAD-ST-L	81.6~107.1 (70.1 ~ 93.1 lbs-in)	15~40 mm (9/16"~1-37/64")	750	1	ABS/Polyacetal/ Steel/Zinc Alloy	Off White/ Chrome/ Nickel
LAD-ST-M	107.1~137.7 (93.1~119.7 lbs-in)					
LAD-ST-H	137.7~163.2 (119.7~141.9 lbs-in)					

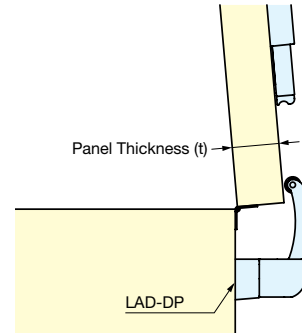
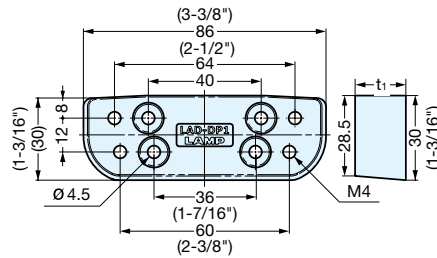
SPACER FOR THICKER PANEL



LAD-DP



• Optional spacer for LAD-ST.



Item No.	t1	Panel Thickness	Box	Carton (pcs)	Material	Color
LAD-DP1	18 (3/4")	25-35mm	50	200	Polyacetal	Grey
LAD-DP2	25 (1")	30-40mm				

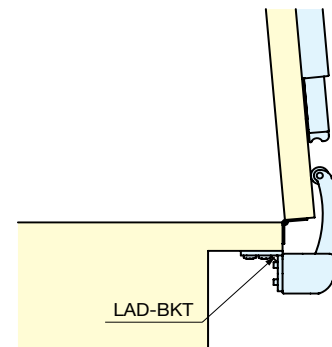
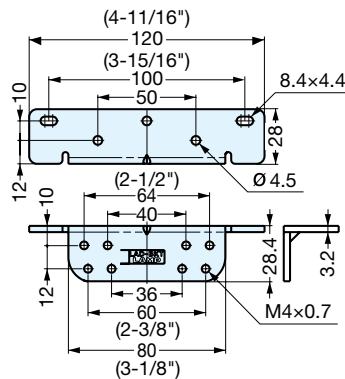
UNDER MOUNTING BRACKET



LAD-BKT



• Optional under mounting bracket for LAD-ST.



Item No.	Material	Box	Carton (pcs)	Color
LAD-BKT	Steel	20	100	Nickel



TORQUE LID STAY (FREE STOP)

LID SUPPORTS

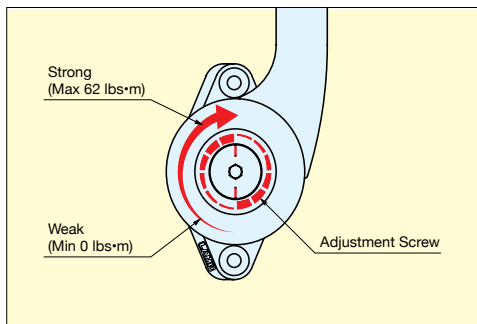
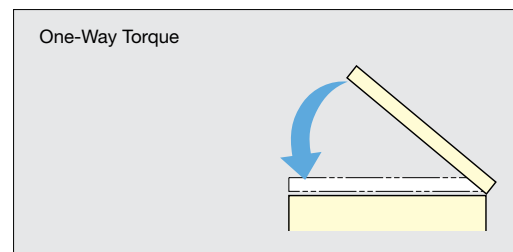
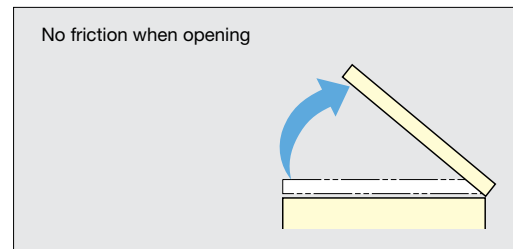
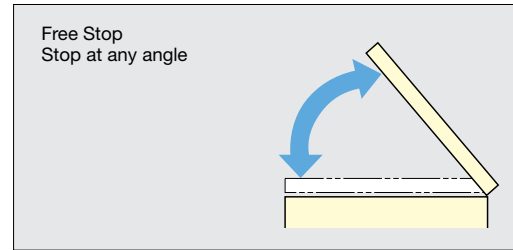
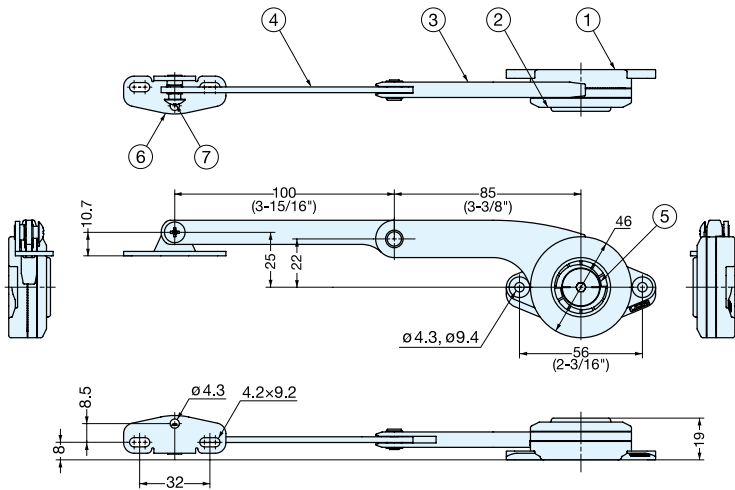
FREE STOP TORQUE LID STAYS



- Friction torque lid stay holds lid open at any position along its range of motion.
- Friction torque in one direction only.
- Torque strength adjustable
- Handed: specific left and right hand mounting.
- Can be used individually or in pairs.
- Torque Calculation:
- Torque = Door Height x 1/2 x Door Weight



Opening Direction			Feature	Torque
			Free Stop	0-71 kgf-cm (0-61.7 lbs-in)



Item No.	Type	Application	Torque per piece (kgf-cm)	Weight (g)
S-TAR-2030R	Right	Top/Upward	0-71 (0-61.7 lbs-in)	234
S-TAR-2030L	Left			
S-TAR-10R	Right	Downward		
S-TAR-10L	Left			

No.	Part Name	Material	Finish/Color
①	Body	Zinc Alloy	Nickel
②	Cover		
③	Arm A		
④	Arm B	Steel	
⑤	Adjustment screw		
⑥	Mounting Plate		
⑦	Fix Screw		

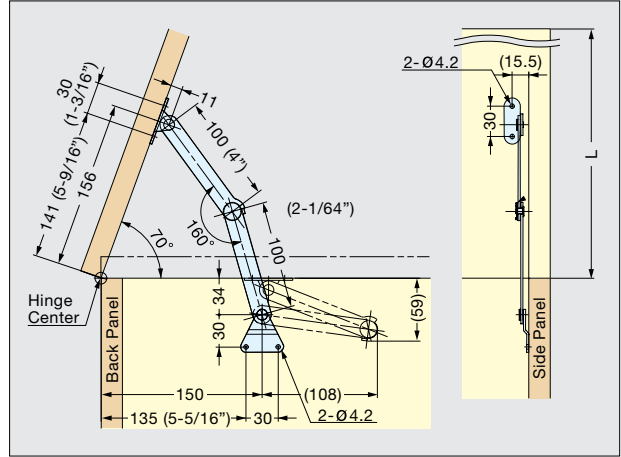
TORQUE LID STAY (FREE STOP)



S-100T30



- Friction torque lid stay holds lid in desired position.
- Torque Calculation:
Torque = Door Height x 1/2 x Door Weight
- Can be installed individually or in pairs.
- Handed: Specific left and right hand mounting.



Part	Material	Finish/Color
Body, Base & Bracket	430 Stainless Steel	Plain
Press washer & Pin	Phosphor Bronze	
Washer	Steel	

Item No.	Torque per piece	Torque per pair	Weight (g)	Box (pcs)	Carton (pcs)
S-100T30R	30.6 kgf·cm±20% (26.5 lbs·in±20%)	61.2 kgf·cm±20% (53.1 lbs·in±20%)	100	30	120
S-100T30L					

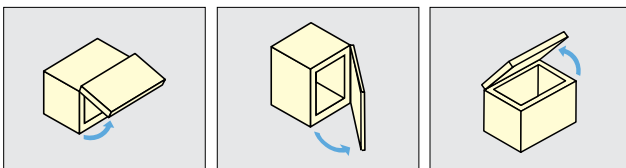
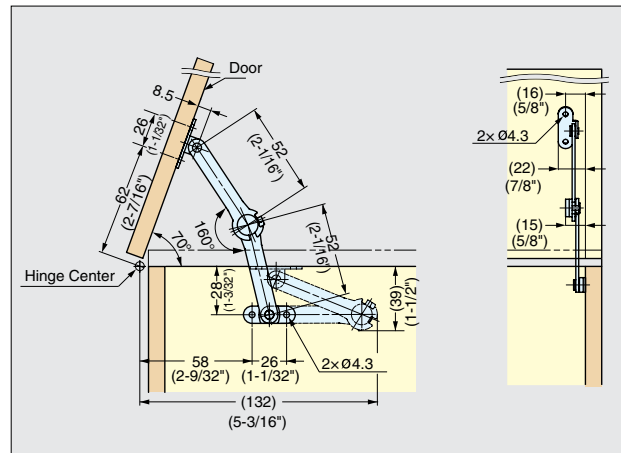
TORQUE LID STAY (FREE STOP)



S-52T15



- Friction torque lid stay holds lid in desired position.
- Torque Calculation:
Torque = Door Height x 1/2 x Door Weight
- Can be installed individually or in pairs.
- Handed: Specific left and right hand mounting.



Item No.	Handing	Torque per piece	Weight (g)	Box (pcs)	Carton (pcs)
S-52T15R	Right	15.3 kg·cm ±20% (13.3 lbs·in ±20%)	40	25	250
S-52T15L	Left				

Part	Material	Finish
Body, Base & Bracket	430 Stainless Steel	Plain
Press washer & Pin	Phosphor Bronze	
Washer	Steel	

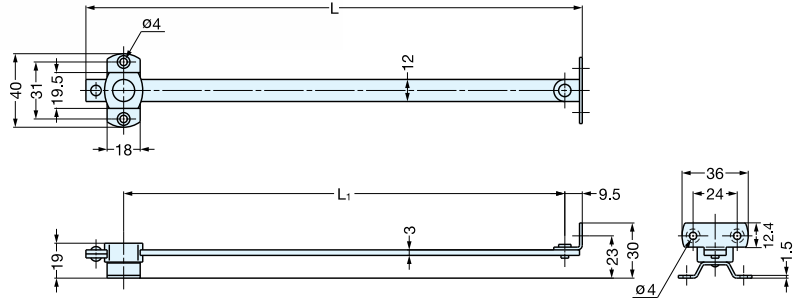
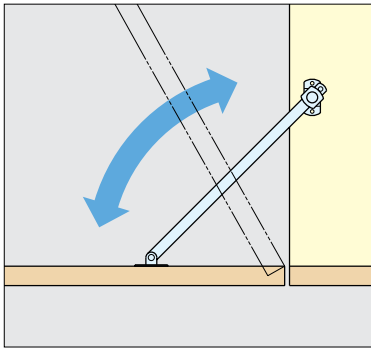
LID STAY



HS



- For downward-opening flap doors.
- Can be installed individually or in pairs.
- Non-Handed: Can be installed on left or right side.



Material	Finish/Color
304 Stainless Steel	Satin
Polyamide	White

Item No.	L	L ₁	Weight (g)	Box (pcs)	Carton (pcs)
HS-180	210 (8-17/64")	180 (7-3/32")	80	20	220
HS-210	240 (9-29/64")	210 (8-17/64")	90		
HS-240	270 (10-5/8")	240 (9-29/64")	100		

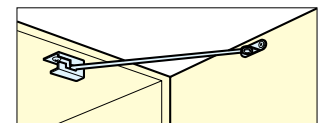
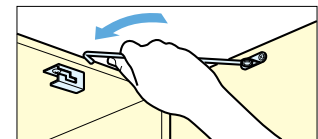
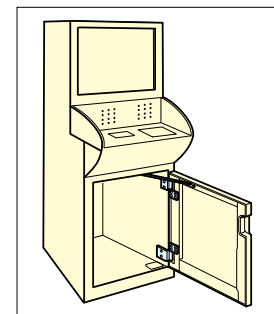
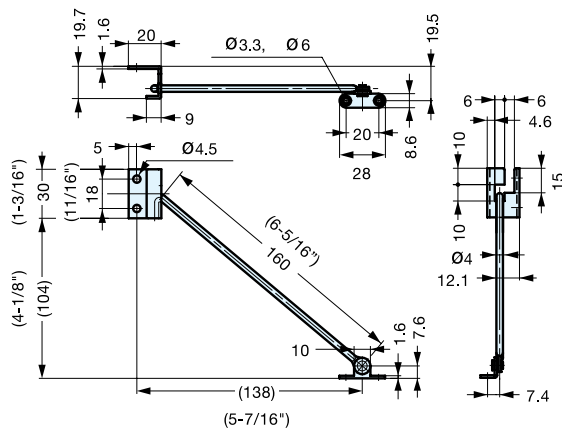
DOOR HOLDER



SAD-160



- Holds door open at 90°.
- Door can be removed when used in conjunction with a lift-off hinge.
- Right-handed use only.



Item No.	Type	Weight (g)	Box (pcs)	Carton (pcs)	Material
SAD-160	Right	34	1	1	304 Stainless Steel, Polyamide

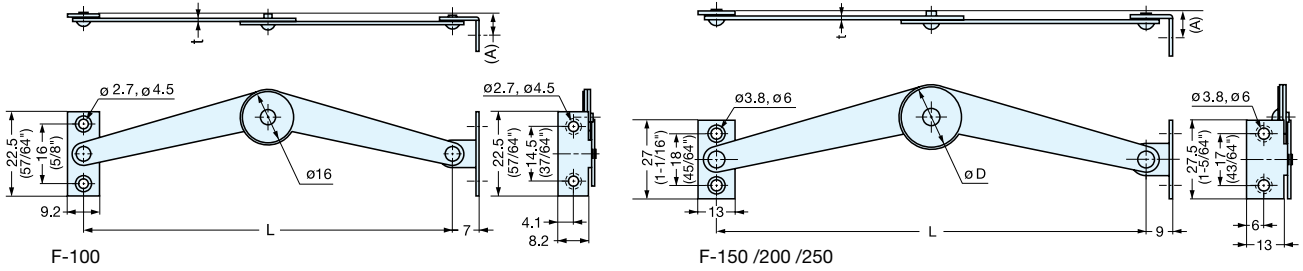
LID STAY



F-100, 150, 200, 250



- Keeps lids from over extending.
- Can be installed individually or in pairs.
- Handed: Specific left and right hand mounting.



Item No.		L	D	(A)	t	Weight (g)	Box (pcs)	Carton (pcs)
Right	Left							
F-100R	F-100L	100 (3-15/16")	16.0	6.5	1.0	13	50	500
F-150R	F-150L	150 (5-29/32")	22.0	9.0	1.2	30	40	400
F-200R	F-200L	198 (7-51/64")	22.5		1.5	65	30	300
F-250R	F-250L	250 (9-27/32")						

Material	Finish
304 Stainless Steel	Satin

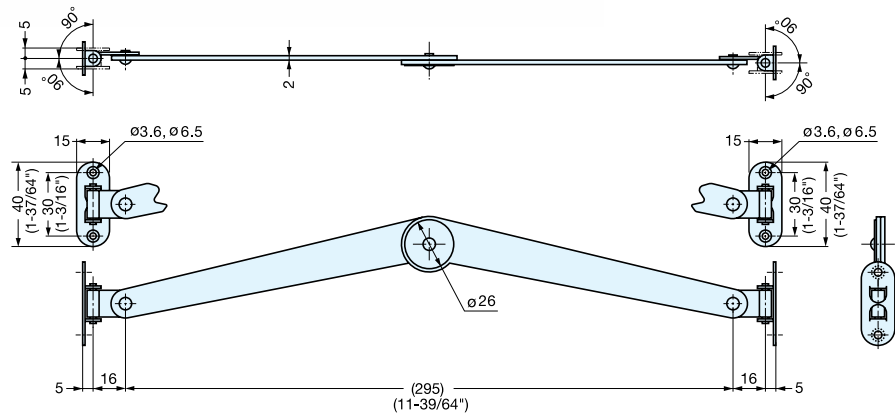
LID STAY



F-300



- Keep lids from over extending.
- Can be installed individually or in pairs.
- Non-Handed: Can be installed on left or right side.

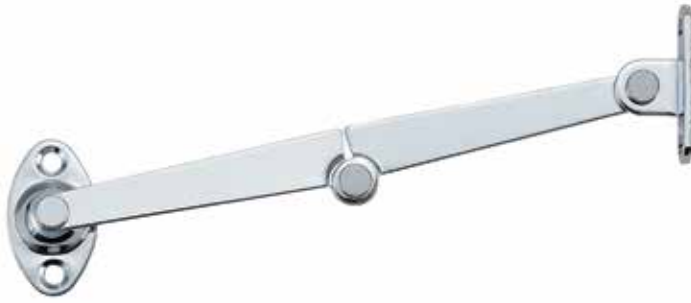


Item No.	Weight (g)	Box (pcs)	Carton (pcs)	Material	Finish
F-300	113	10	100	304 Stainless Steel	Satin

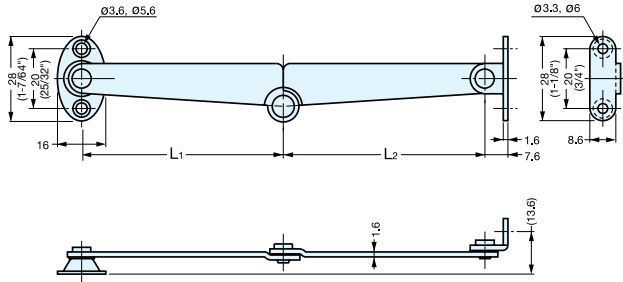
LID STAY



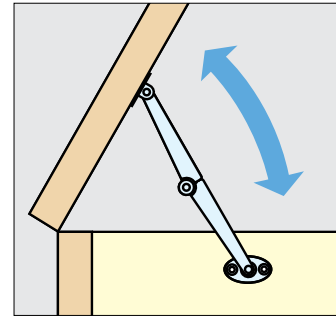
S-6, S-16



- Keeps lids from over extending.
- Can be installed individually or in pairs.
- Handed: Specific left and right hand mounting.



Installation (Right handed)



Item No.		L ₁	L ₂	Weight (g)	Load Capacity	Box (pcs)	Carton (pcs)	Material	Finish
Left	Right								
S-6L	S-6R	53 (2-3/32")	53 (2-3/32")	20	32.4 kg (71.28 lb)	100	1000	Steel/Brass/ Nylon (washer)	Chrome
S-16L	S-16R	67 (2-41/64")	67 (2-41/64")	31	34.3 kg (75.46 lb)				

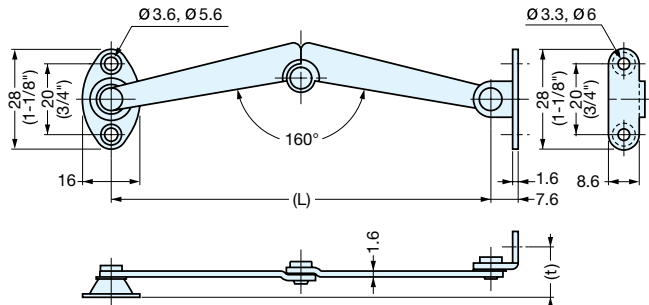
LID STAY



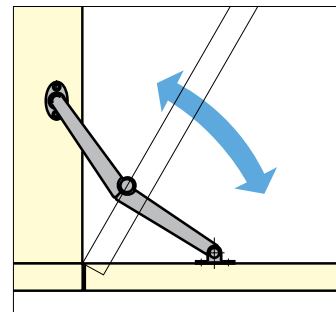
S-24, S-25, S-27



- Keeps lids from over extending.
- Can be installed individually or in pairs.
- Handed: Specific left and right hand mounting.



Installation (Right handed)

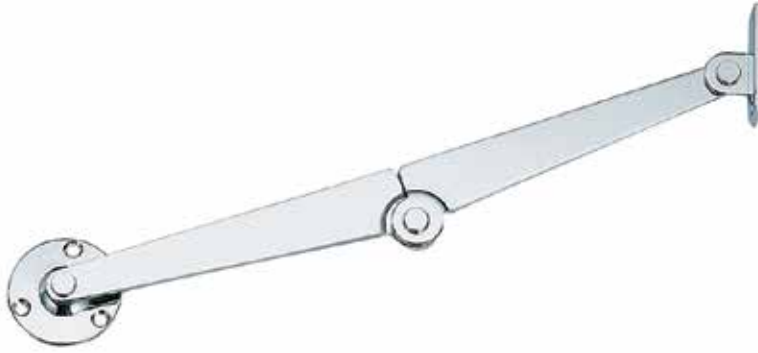


Item No.		L	Weight (g)	Load Capacity	Box (pcs)	Carton (pcs)
Left	Right					
S-24L	S-24R	105.5 (4-5/32")	21	33.3 kg (73.26 lb)	100	1000
S-25L	S-25R	163.0 (6-27/64")	35	29.3 kg (64.46 lb)	60	600
S-27L	S-27R	133.0 (5-15/64")	31	33.2 kg (73.04 lb)	60	600

LID STAY

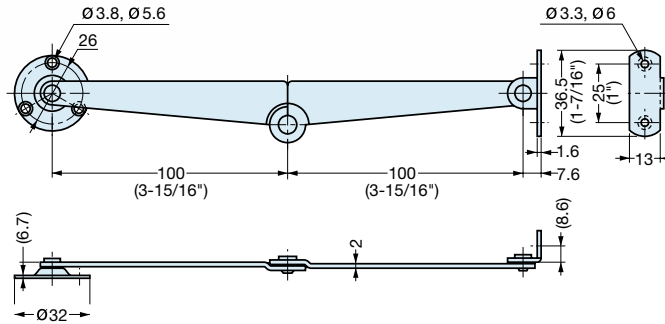


S-19

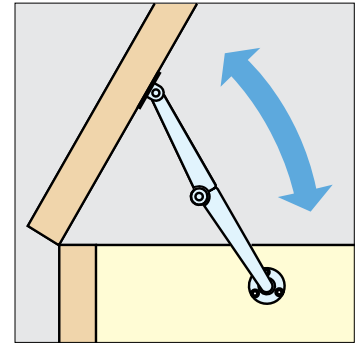


- Keeps lids from over extending.
- Can be installed individually or in pair.
- Handed: Specific left and right hand mounting.

(Left)



Installation (Right handed)



Item No.		Weight (g)	Load Capacity (kg)	Box (pcs)	Carton (pcs)
Left	Right				
S-19L	S-19R	66	43.4 (95.7 lb)	40	160

Material	Finish
Steel/Brass/Nylon (washer)	Chrome

LID STAY (W/CATCH)

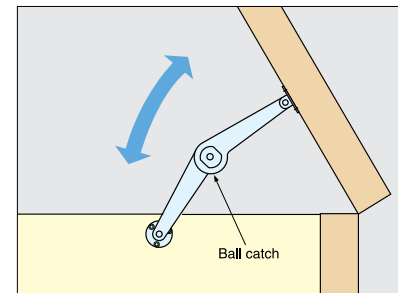
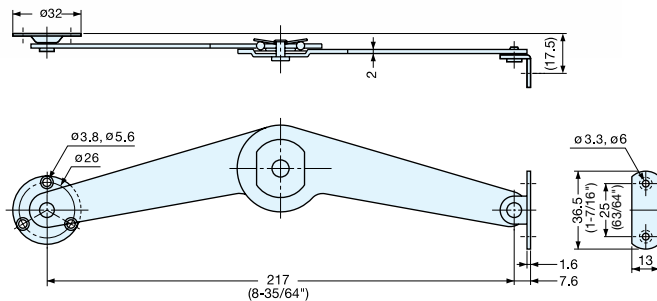


S-20



- Lid stay with ball catch for light weight doors.
- Catch automatically holds lid in opened position.
- Can be installed individually or in pairs.
- Handed: Specific left and right hand mounting.
- Load Capacity: 41.8 kg(92.1 lbs)/pc.

(Left)



Item No.		Weight (g)	Box (pcs)	Carton (pcs)
Left	Right			
S-20L	S-20R	125	40	160

Material	Finish
Steel/Brass/Nylon (washer)	Chrome

LID STAY (W/CATCH)

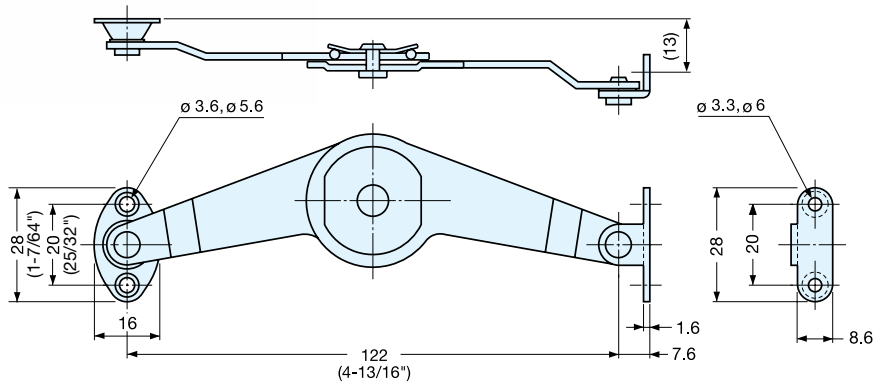
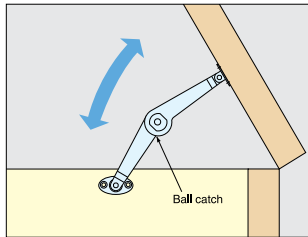


S-21



- Lid stay with ball catch for light weight doors.
- Catch automatically holds lid in opened position.
- Can be installed individually or in pairs.
- Handed: Specific left and right hand mounting.
- Load Capacity: 31.5 kg(69 lbs)/pc.

(Left)



Item No.		Weight (g)	Box (pcs)	Carton (pcs)
Left	Right			
S-21L	S-21R	49	50	500

Material	Finish
Steel/Brass/Nylon (washer)	Chrome

LID STAY (W/CATCH)

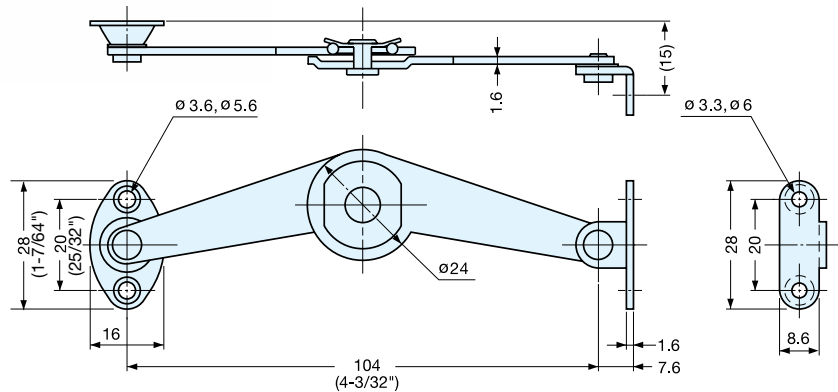
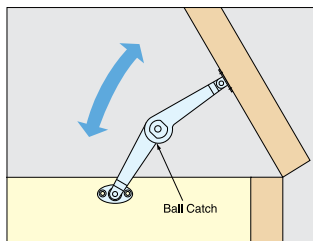


S-23



- Lid stay with ball catch for light weight doors.
- Catch automatically holds lid in opened position.
- Can be installed individually or in pairs.
- Handed: Specific left and right hand mounting.
- Load Capacity: 30.4 kg(67 lbs)/pc.

(Left)



Item No.		Weight (g)	Box (pcs)	Carton (pcs)
Left	Right			
S-23L	S-23R	33	50	500

Material	Finish
Steel/Brass/Nylon (washer)	Chrome

LID STAY

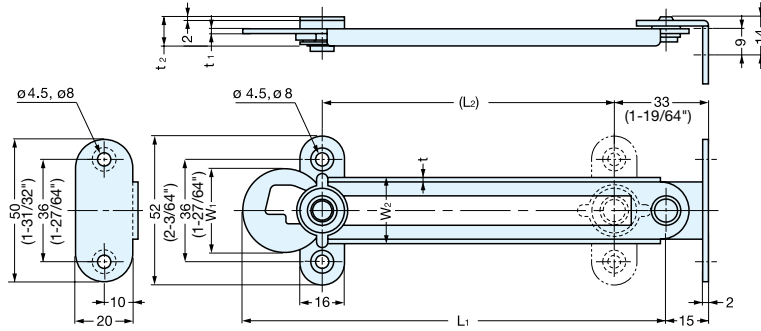


S-91, 92, 93

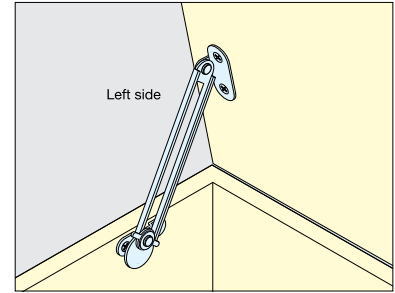


(Right)

- Locks lid in fully opened position.
- Lift up lid to release.
- Can be installed individually or in pairs.
- Handed: Specific left and right hand mounting.



(Right)



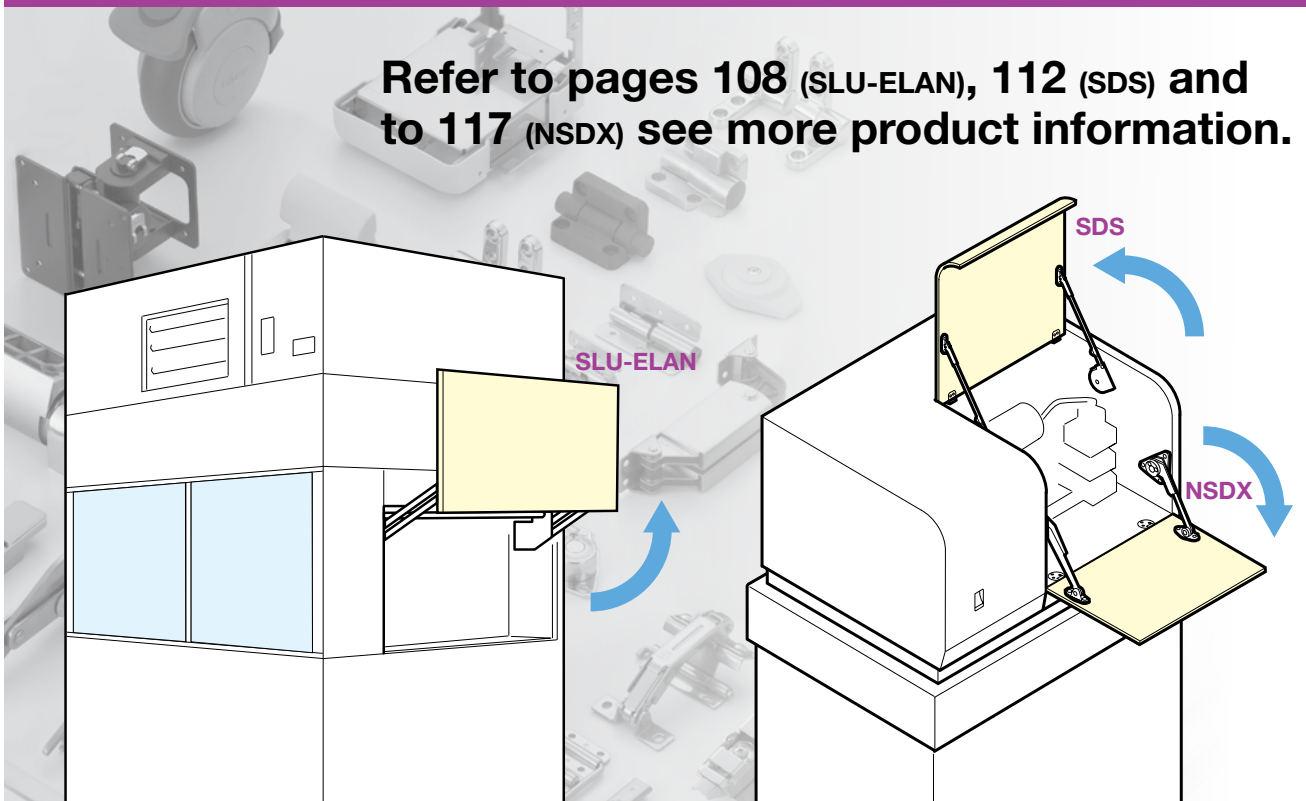
Material	Finish
304 Stainless Steel	Polished

Item No.		L ₁	(L ₂)	W ₁	W ₂	t ₁	t ₂	Load Capacity (kg)	Weight (g)	Box (pcs)	Carton (pcs)
Left	Right										
S-91L	S-91R	277 (10-29/32")	231 (9-3/32")	30	24	2.0	11.0	40 (88 lbs)	120	100	1000
S-92L	S-92R	198 (7-51/64")	153 (6-1/32")	28	23	1.5	10.5		85	30	180
S-93L	S-93R	150 (5-29/32")	105 (4-9/64")					30 (66 lbs)	75	60	240

LID SUPPORTS
LID STAYS

Interactive and easy to use

Refer to pages 108 (SLU-ELAN), 112 (SDS) and to 117 (NSDX) see more product information.



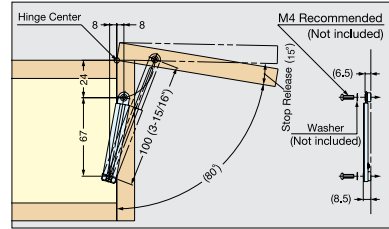
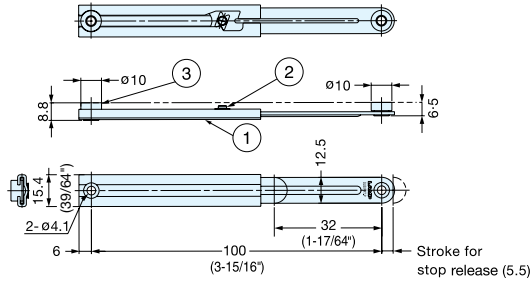
ULTRA MINI LID STAY



L-100S



- Holds lid or panel in opened position.
- Lift up lid to release. Compact design.
- Non-Handed: Can be installed on left or right side.
- Can be installed individually or in pairs.
- Optional mounting brackets (L-S-BT) available.



*Lid stay must be installed parallel to the sidewall.

Item No.	Load Capacity (kg)	Weight (g)	Box (pcs)	Carton (pcs)
L-100S	6 (13.2 lbs)	31	30	300

No.	Part Name	Material	Finish
①	Housing	304 Stainless Steel	Polished
②	Washer	Polyacetal	-
③	Bracket	303 Stainless Steel	-

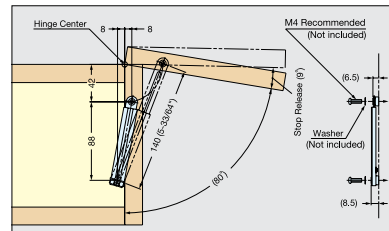
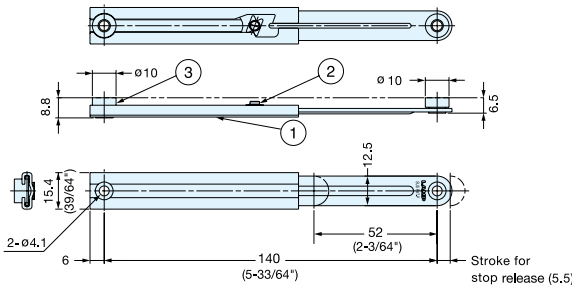
ULTRA MINI LID STAY



L-140S



- Holds lid or panel in open position.
- Lift up lid to release. Compact design.
- Non-Handed: Can be installed on left or right side.
- Can be installed individually or in pairs.
- Optional mounting brackets (L-S-BT) available.



*Lid stay must be installed parallel to the sidewall.

Item No.	Load Capacity (kg)	Weight (g)	Box (pcs)	Carton (pcs)
L-140S	6 (13.2 lbs)	38	30	300

No.	Part Name	Material	Finish
①	Housing	304 Stainless Steel	Polished
②	Washer	Polyacetal	-
③	Bracket	303 Stainless Steel	-

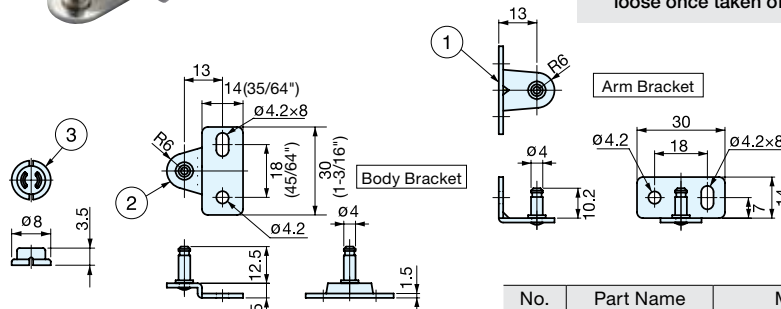
MOUNTING BRACKET



L-S-BT



- Optional brackets for L-100S and L-140S stays.
- Brackets for arm and body sold as set.
- Insert the retainer and bracket firmly into the stay.
*Do not re-use the bracket. Retainer may become loose once taken off from stay.



Item No.	Weight (g)	Box (pcs)	Carton (pcs)
L-S-BT	20	30	300

No.	Part Name	Material	Finish/Color
①	Arm Bracket	304 Stainless Steel	Polished
②	Body Bracket	Polyacetal	White
③	Retainer	Polyacetal	White

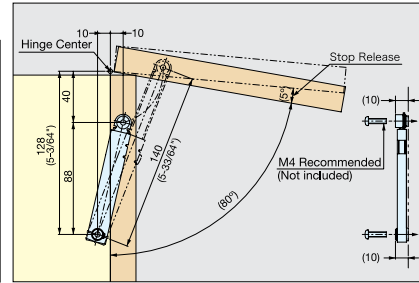
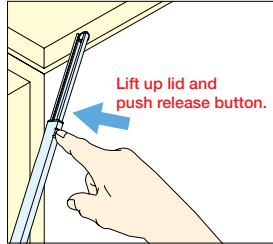
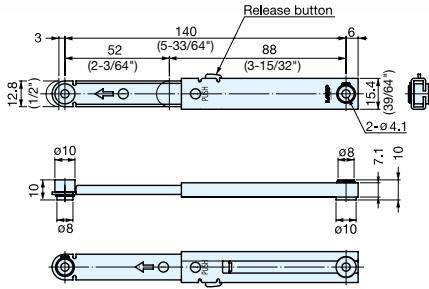
MINI LID STAY (W/LOCK)



L-SL140



- Automatically locks lid/panel when fully opened.
- Push button to release.
- Can be installed individually or in pairs.
- Non-Handed: Can be installed on left or right side.
- Mounting brackets (L-SL140-BT) sold separately.



*Lid stay must be installed parallel to the sidewall.

Item No.	Load Capacity (kg)	Weight (g)	Box (pcs)	Carton (pcs)	Material	Finish
L-SL140	15 (33 lbs)/each	40	30	300	304 Stainless Steel	Polished

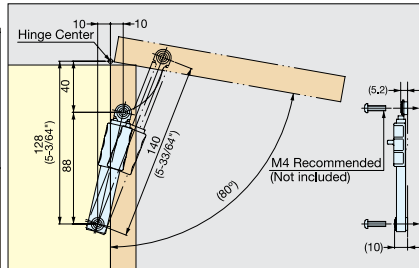
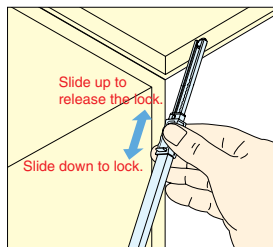
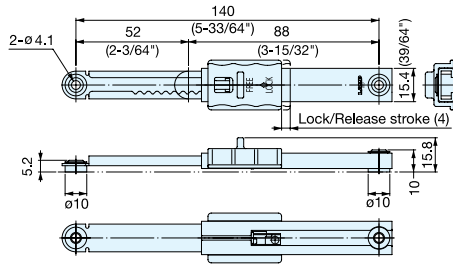
MINI LID STAY (W/LOCK)



L-FS140



- Locks lid/panel in multiple positions by manually sliding lock lever.
- Slide lever to lock/unlock.
- Can be installed individually or in pairs.
- Non-Handed: Can be installed on left or right side.
- Mounting brackets (L-FS140-BT) sold separately.



*Lid stay must be installed parallel to the sidewall.

Item No.	Load Capacity (kg)	Weight (g)	Box (pcs)	Carton (pcs)	Material	Finish/Color
L-FS140	6 (13.2 lbs)/each	50	20	200	304 Stainless Steel Polyacetal	Polished Dark Grey

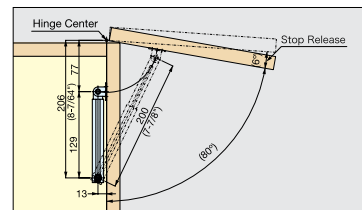
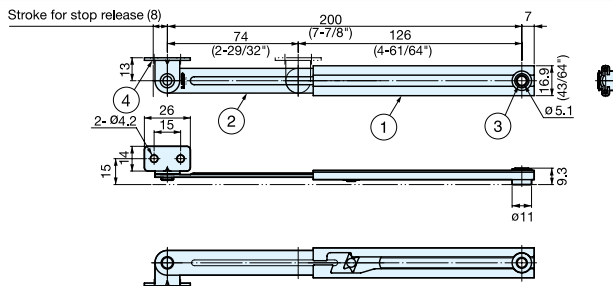
LOW PROFILE LID STAY



L-200P



- Holds lid or panel in fully opened position.
- Lift up the lid to release.
- Can be installed individually or in pairs.
- Non-Handed: Can be installed on left or right side.
- Mounting brackets (L-200-BT) sold separately.



*Lid stay must be installed parallel to the sidewall.

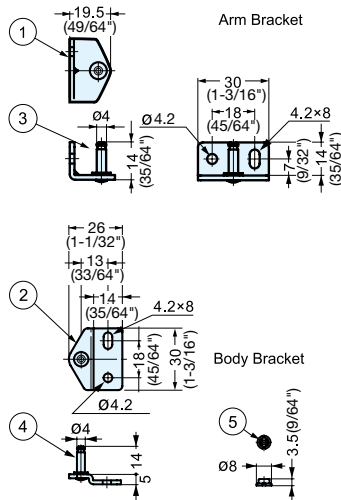
Item No.	Load Capacity (kg)	Weight (g)	Box (pcs)	Carton (pcs)
L-200P	15 (33 lbs)/each	65	30	300

No.	Part Name	Material	Finish
①	Housing	304 Stainless Steel	Polished
②	Arm		
③	Hosing Bracket	303 Stainless Steel	Plain
④	Arm Bracket	304 Stainless Steel	Polished

MOUNTING BRACKET



L-SL140-BT



- Optional brackets for L-SL140 stay.
- Insert the retainer and bracket firmly into the stay.
- * Do not re-use the bracket. Retainer may become loose once taken off from stay

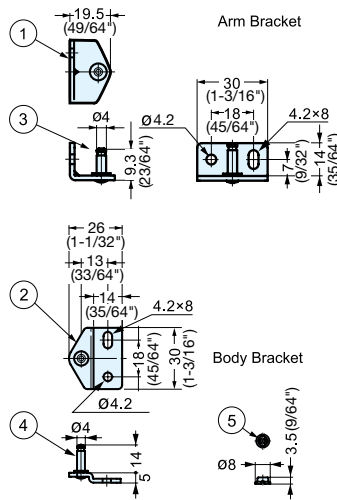
Item No.	Weight (g)	Box (pcs)	Carton (pcs)
L-SL140-BT	28	30	300

No.	Part Name	Material	Finish
①	Arm bracket	304 Stainless Steel	Polished
②	Body bracket		
③	Arm bracket pin	303 Stainless Steel	Plain
④	Body bracket pin		
⑤	Retainer	Polyacetal	Black

MOUNTING BRACKET



L-FS140-BT



- Optional brackets for L-FS140 stay.
- Insert the retainer and bracket firmly into the stay.
- * Do not re-use the bracket. Retainer may become loose once taken off from stay

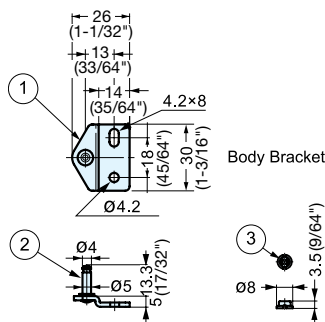
Item No.	Weight (g)	Box (pcs)	Carton (pcs)
L-FS140-BT	27	40	400

No.	Part Name	Material	Finish
①	Arm bracket	304 Stainless Steel	Polished
②	Body bracket		
③	Arm bracket pin	303 Stainless Steel	Plain
④	Body bracket pin		
⑤	Retainer	Polyacetal	Black

MOUNTING BRACKET



L-200P-BT



- Optional brackets for L-200P stay.
- Insert the retainer and bracket firmly into the stay.
- * Do not re-use the bracket. Retainer may become loose once taken off from stay

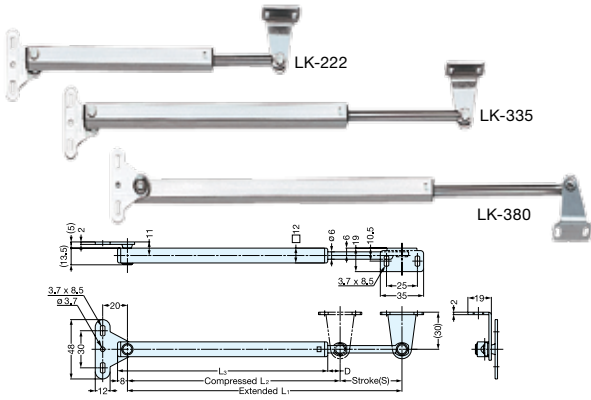
Item No.	Weight (g)	Box (pcs)	Carton (pcs)
L-200P-BT	14	30	300

No.	Part Name	Material	Finish
①	Arm bracket	304 Stainless Steel	Polished
②	Body bracket		
③	Arm bracket pin	303 Stainless Steel	Plain

LID STAY

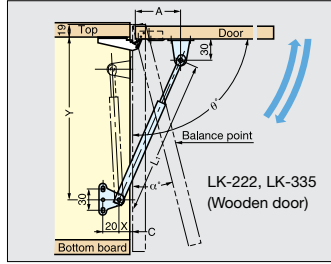


LK

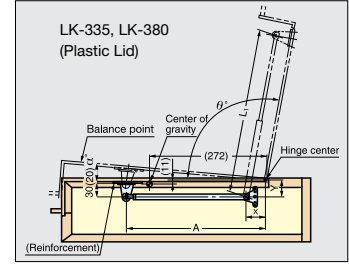


- Spring mechanism assists lifting door and holds in open position.
- Can be installed individually or in pairs.
- Non-Handed: Can be installed on left or right side.

Mounting Example (1)



Mounting Example (2)



Drawing shown is based on C=4mm. If C=0, please deduct 4mm from "X" in the table below.

Material	Finish
304 Stainless Steel	Satin

Wooden Doors

Door weight is based on door height: LK-222=350mm, LK-335=500mm

Item No.	Max. Door Weight (kg)	Door Opening (θ°)	- (α°)	L ₁	A	X	Y
LK-222 (2 pcs)	2.5 (5.5 lbs)	90	17	222 (8-47/64")	70 (2-3/4")	20 (25/32")	235 (9-1/4")
	2.7 (5.9 lbs)	85	15	222 (8-47/64")	75 (2-61/64")	20 (25/32")	240 (9-29/64")
	3.0 (6.6 lbs)	75	14	222 (8-47/64")	85 (3-11/32")	20 (25/32")	251 (9-7/8")
LK-335 (2 pcs)	3.1 (6.8 lbs)	90	14	335 (13-3/16")	104 (4-3/32")	20 (25/32")	344 (13-35/64")
	3.3 (7.2 lbs)	85	12	335 (13-3/16")	112 (4-13/32")	20 (25/32")	351 (13-13/16")
	3.8 (8.3 lbs)	75	11	335 (13-3/16")	127 (5-1/8")	20 (25/32")	368 (14-31/64")
	4.0 (8.8 lbs)	90	4.0	380 (14-31/32")	320 (12-19/32")	41 (1-39/64")	59 (2-21/64")

Acrylic Doors

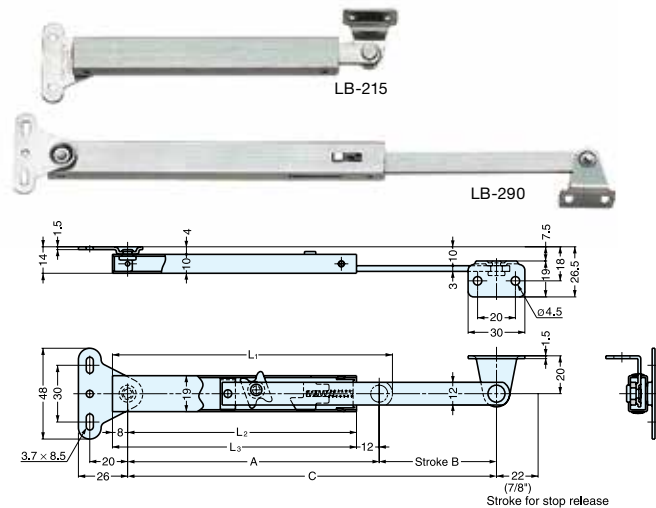
Item No.	Max. Door Weight (kg)	Door Opening (θ°)	- (α°)	L ₁	A	X	Y
LK-335 (2 pcs)	2.5 (5.5 lbs)	90	0.5	335 (13-3/16")	295 (11-39/64")	45 (1-25/32")	38 (1-1/2")
	3.0 (6.6 lbs)	90	14.0	335 (13-3/16")	295 (11-39/64")	45 (1-25/32")	38 (1-1/2")
	3.3 (7.2 lbs)	85	12.0	335 (13-3/16")	295 (11-39/64")	45 (1-25/32")	44 (1-47/64")
LK-380 (2 pcs)	2.5 (5.5 lbs)	110	8.0	380 (14-31/32")	330 (13")	40 (1-37/64")	36 (1-27/64")
	3.0 (6.6 lbs)	90	3.5	380 (14-31/32")	335 (13-3/16")	55 (2-5/32")	44 (1-47/64")
	4.0 (8.8 lbs)	90	4.0	380 (14-31/32")	320 (12-19/32")	41 (1-39/64")	59 (2-21/64")
	4.3 (9.4 lbs)	80	7.5	380 (14-31/32")	335 (13-3/16")	56 (2-13/64")	60 (2-23/64")

Item No.	L ₁	L ₂	L ₃	S	D	Extended Force (kg)	Compressed Force (kg)	Weight (g)	Box (pcs)	Carton (pcs)
LK-222	222 (8-47/64")	172 (6-25/32")	170 (6-11/16")	50 (1-11/32")	10 (25/64")	3.2	7.0	145	25	150
LK-335	335 (13-3/16")	25 (9-27/32")	238 (9-3/8")	85 (3-11/32")	20 (25/32")	3.8	8.5	185		
LK-380	380 (14-31/32")	280 (11-1/32")	269 (10-19/32")	100 (3-15/16")	19 (3/4")	3.6	8.5	205		

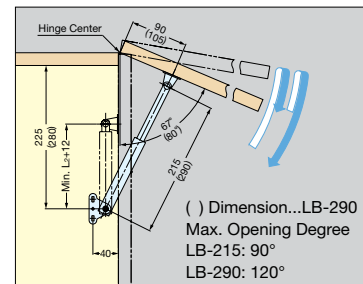
LID STAY



LB-215, 290



- Holds lid or panel in fully opened position.
- Can be installed individually or in pairs.
- Non-Handed: Can be installed on left or right side.
- Load Capacity: 15kg(33 lbs) /each.



*Lid stay must be installed parallel to the sidewall.

Material	Finish
304 Stainless Steel	Satin

Item No.	L ₁	L ₂	L ₃	A	B	C	Door Height (mm)	Weight (g)	Box (pcs)	Carton (pcs)
LB-215	168 (6-39/64")	141 (5-35/64")	149 (5-55/64")	153 (6-1/32")	62	215 (8-15/32")	260-350 (10-15/64"~13-25/32")	140	10	100
LB-290	205 (8-1/16")	178 (7-1/64")	186 (7-21/64")	190 (7-31/64")	100	290 (11-27/64")	340-500 (13-25/64"~19-11/16")	160		

LID STAY

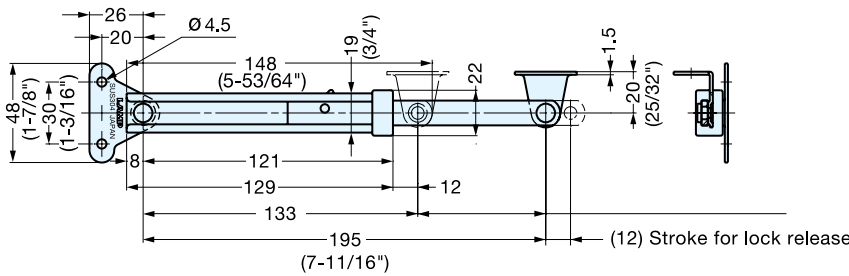
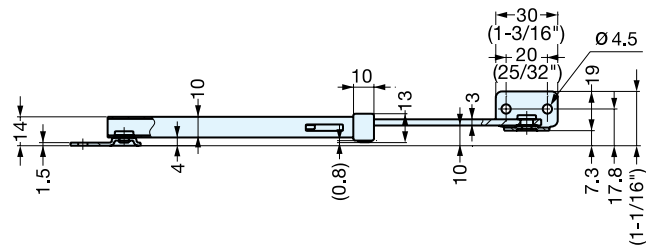
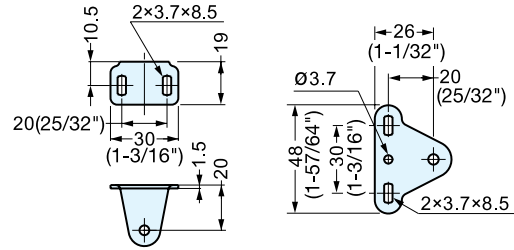
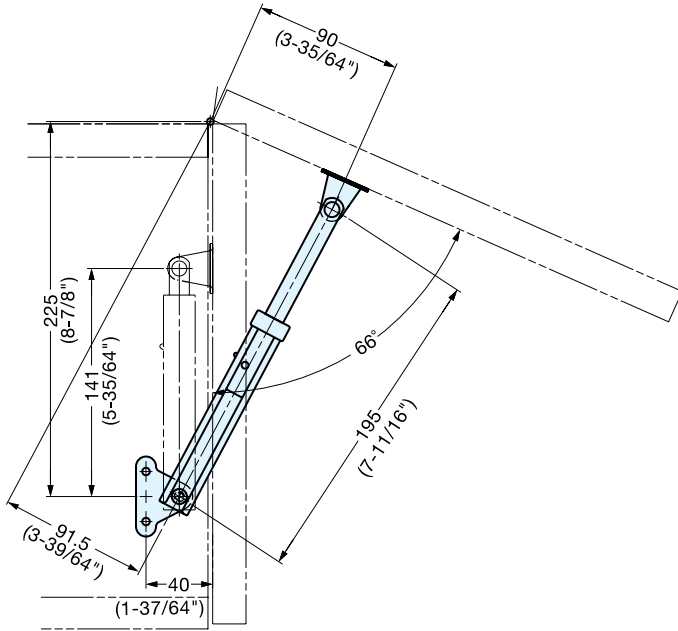
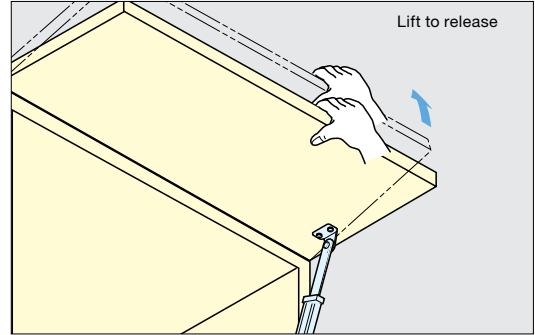


L-195-JC

- Holds lid or panels in fully opened position.
- Lift up lid to release.
- Can be installed individually or in pairs.
- Non handed.
- Load Capacity: 15 kg/each (33 lbs/each).



LID STAY LID SUPPORTS

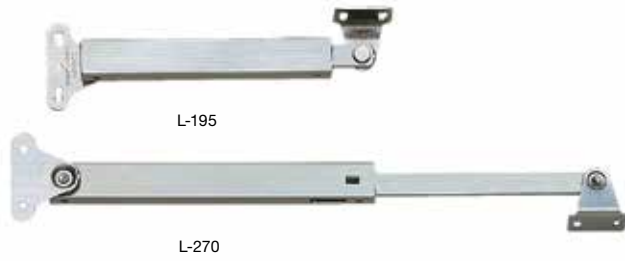


Item No.	Door Height (mm)	Carton (pcs)	Material
L-195-JC-A	250-350 (9-27/32" - 13-25/32")	100	Stainless Steel/Polyacetal/Aluminum Alloy

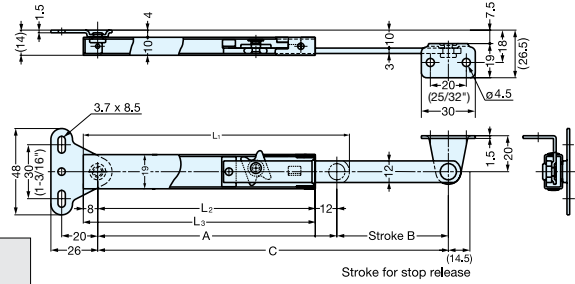
LID STAY



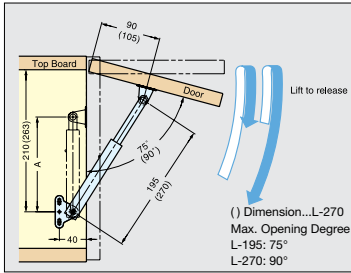
L



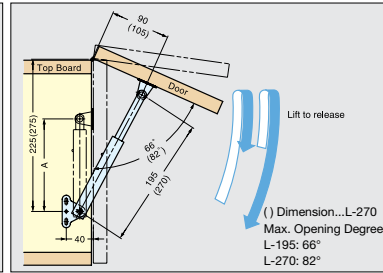
- Holds lid or panel in fully opened position.
- Lift up lid to release.
- Can be installed individually or in pairs.
- Non-Handed: Can be installed on left or right side.
- Load Capacity: 15 kg (33 lbs) /each.



With Concealed Hinge



With Piano/Butt Hinge



*Lid stay must be installed parallel to the sidewall.

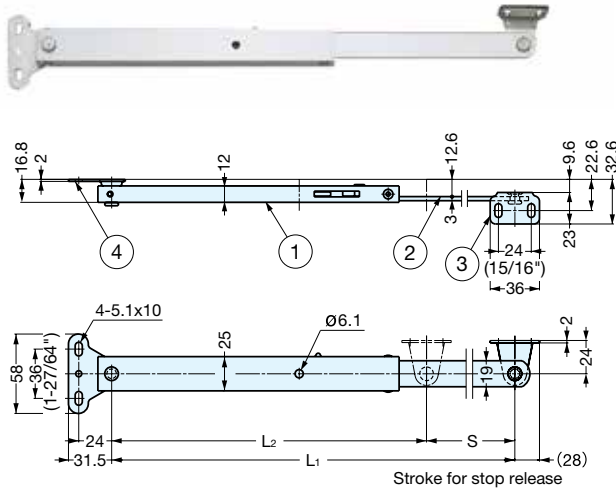
Item No.	L ₁	L ₂	L ₃	(A)	(B)	C	Door Height (mm)	Weight (g)	Box (pcs)	Carton (pcs)
L-195	148 (5-53/64")	121 (4-49/64")	129 (5-5/64")	133 (5-15/64")	62 (2-7/16")	195 (7-43/64")	250~350 (9-27/32"~13-25/32")	125	10	100
L-270	185 (7-9/32")	158 (6-7/32")	166 (6-17/32")	170 (6-11/16")	100 (3-15/16")	270 (10-5/8")	320~500 (12-19/32"~19-11/16")	150		

Material	Finish
304 Stainless Steel	Satin

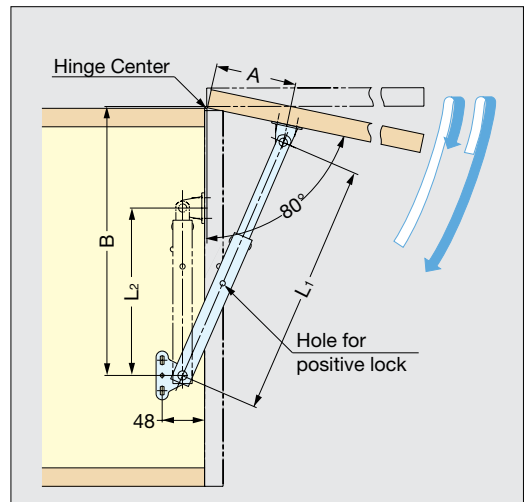
LID STAY



LB



- Holds lid or panel in fully opened position.
- Lift up lid to release.
- Can be installed individually or in pairs.
- Non-Handed: Can be installed on left or right side.



No	Part Name	Material	Finish
①	Housing	304 Stainless Steel	Plain
②	Arm		
③	Housing Bracket		
④	Arm Bracket		

Item No.	L ₁	L ₂	S	A	B	Load Capacity (kg)	Box (pcs)	Carton (pcs)
LB-200	200 (7-7/8")	155 (6-3/32")	45 (1-49/64")	56 (2-13/64")	219 (8-5/8")	30 (66 lbs)	10	40
LB-350	350 (13-25/32")	230 (9-3/64")	120 (4-23/32")	128 (5-3/64")	364 (14-21/64")	25 (55 lbs)		20
LB-500	500 (19-11/16")	305 (12-1/64")	195 (7-43/64")	195 (7-43/64")	510 (20-5/64")	20 (44 lbs)		20

LID STAY (CLEAN ROOM)

STAINLESS
304
STEEL

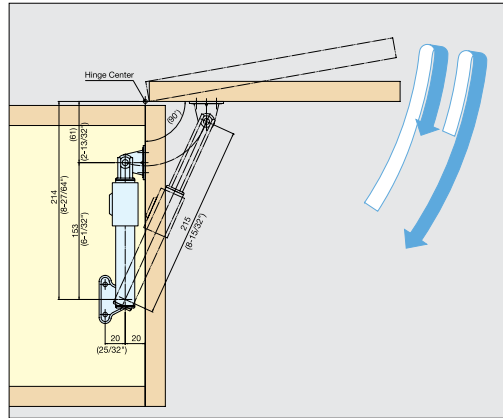
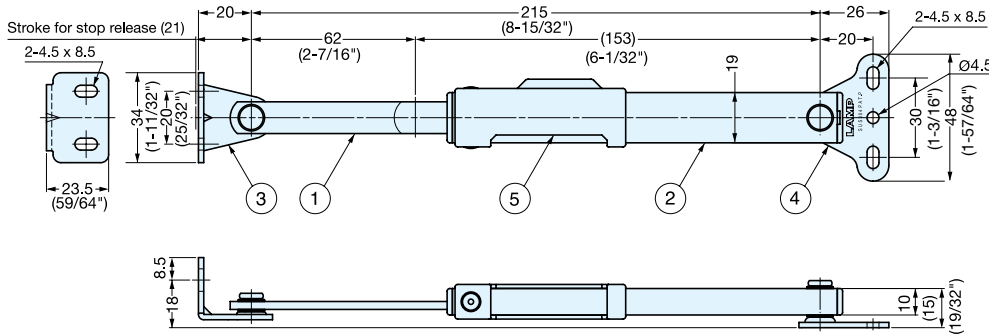
LOAD CAPACITY
15 kg
33 lbs

NO SCREW

LB-CV215A



- Holds lid or panel in fully opened position.
- Plastic bushing and end cap minimizes particles.
- No metal-to-metal contact.
- Ideal for cleanroom, semiconductor and food industry applications.
- Can be installed individually or in pairs.
- Non-Handed: Can be installed on left or right side.



*Lid stay must be installed parallel to the sidewall.

Item No.	Load Capacity (kg)	Weight (g)	Box (pcs)	Carton (pcs)	Material	Finish/Color
					LB-CV215A	15 (33 lbs)
					ABS	White

CLEAN ROOM ITEMS



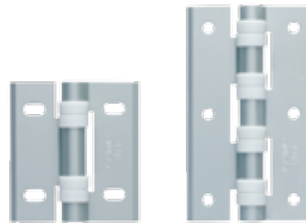
MC-JM45WT

Please see page 164 for details



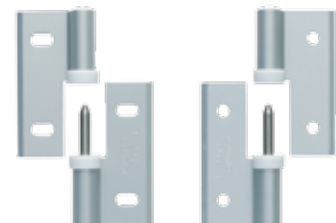
MC-JM63G

Please see page 164 for details



HG-CV

Please see page 15 for details



HG-CV-65N

Please see page 15 for details

HEAVY DUTY LID STAY



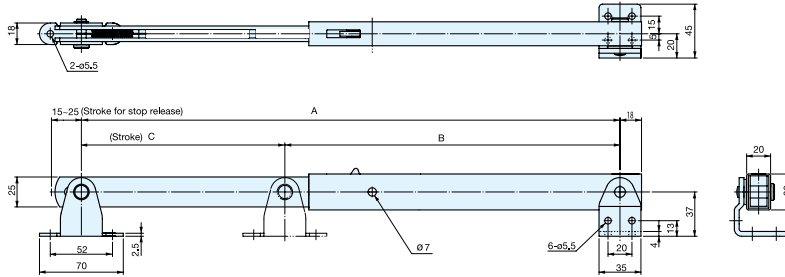
LB-S



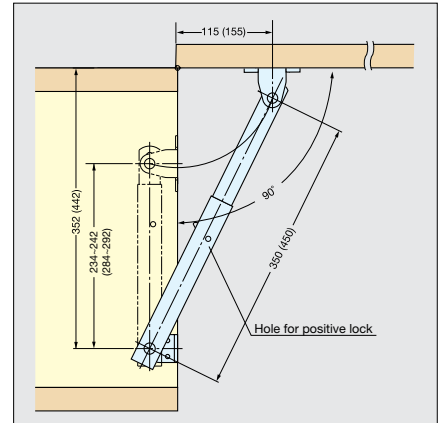
LB-S350



LB-S450



- Heavy duty lid stay holds lid or panel in fully opened position.
- Lift up the lid to release.
- Can be installed individually or in pairs.
- Non-Handed: Can be installed on left or right side.



Measurements above in () are for LB-S450.
*Lid stay must be installed parallel to the sidewall.

Material	Finish
304 Stainless Steel	Satin

Item No.	(A)	B	C	Load Capacity (kg)	Weight (g)	Box (pcs)	Carton (pcs)
LB-S350	350 (13-25/32")	230 (9-1/16")	120 (4-23/32")	133 (293 lbs)	715	5	20
LB-S450	450 (17-25/32")	280 (11-1/32")	170 (6-11/16")	97 (214 lbs)	820		

HEAVY DUTY MULTI-ANGLE LID STAY



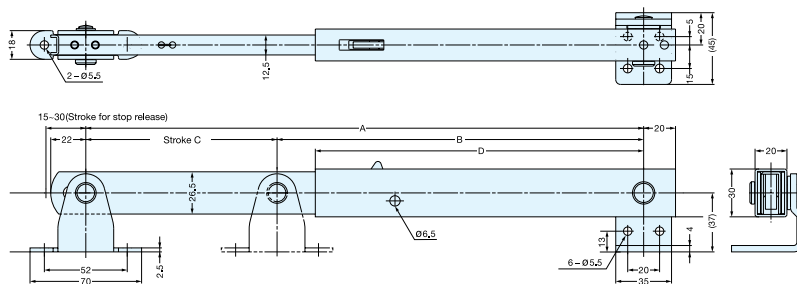
LBTS



LBTS-350

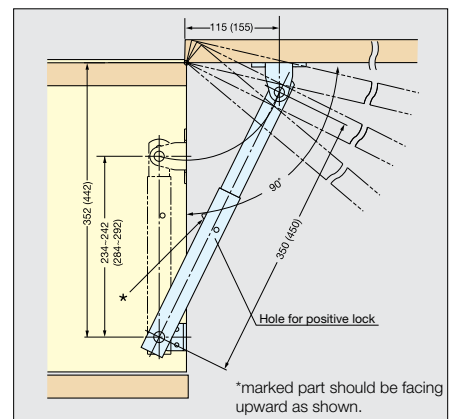


LBTS-450



Above drawing shows LBTS right-hand mounting.

- Ratchet stay holds lid at multiple angles.
- Fully lift up lid to release.
- Can be installed individually or in pairs.



Measurements above in () are for LB-S450.
*Lid stay must be installed parallel to the sidewall.

Material	Finish
304 Stainless Steel	Satin

Item No.		(A)	B	C	D	Stop Positions	Load Capacity (kg)	Weight (g)	Box (pcs)	Carton (pcs)
Left	Right									
LBTS-350L	LBTS-350R	350 (13-25/32")	230 (9-1/16")	120 (4-23/32")	206 (8-7/64")	4	70 (154 lbs)	715	5	20
LBTS-450L	LBTS-450R	450 (17-25/32")	280 (11-1/32")	170 (6-11/16")	256 (10-5/64")	6		820		

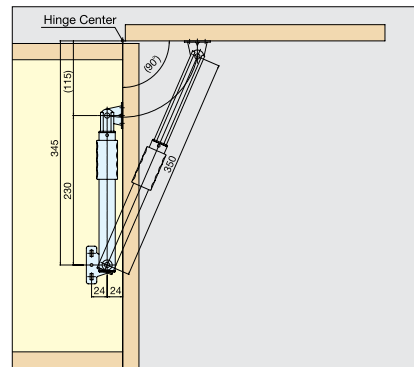
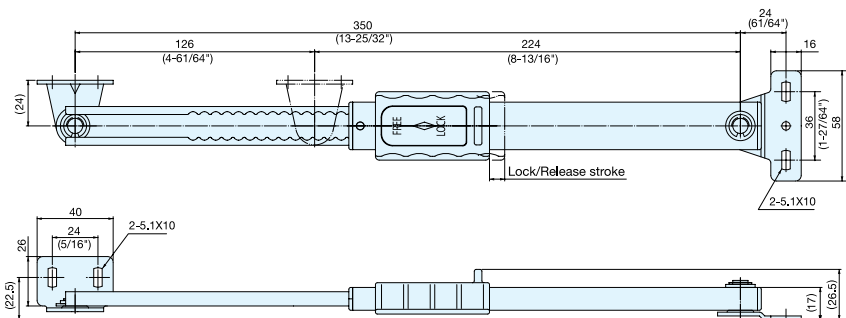
MULTI-ANGLE LID STAY (W/LOCK)



L-FS350A



- Locks lid in multiple positions by manually sliding lock lever.
- Slide back lever to lock/unlock.
- Ideal for vibration or shock applications.
- Can be installed individually or in pairs.
- Non-Handed: Can be installed on left or right side.



*Lid stay must be installed parallel to the sidewall.

Item No.	Load Capacity	Weight (g)	Box (pcs)	Carton (pcs)
L-FS350A	30kg (66 lbs)	325	5	50

Material	Finish/Color
304 Stainless Steel	Satin
Polyacetal	Dark Grey

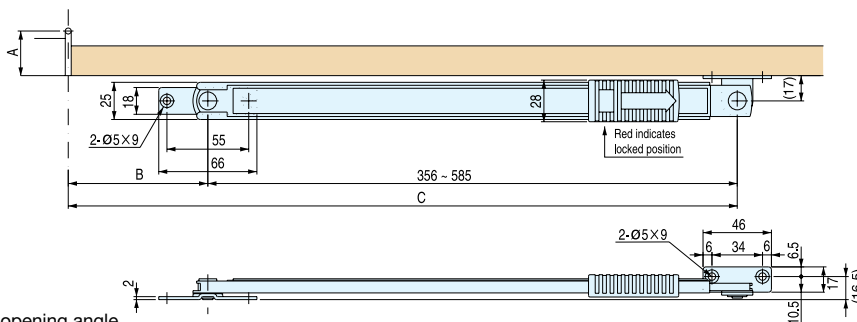
MULTI-ANGLE LID STAY



U-3005



- Locks lid in multiple positions by manually sliding lock lever.
- Slide back lever to lock/unlock.
- Ideal for vibration or shock applications.
- Can be installed individually or in pairs.
- Non-Handed: Can be installed on left or right side.
- Door opening angle : 100° maximum
- Recommended door size
Height – Max. 2,000 mm (78-3/4")
Width – 600-910 mm (23-5/8"~35-53/64")
Thickness – 25-45 mm (1"~1-3/4")



A, B and C dimensions are for 90° door opening angle

A	30 (1-11/64")	35 (1-3/8")	40 (1-37/64")	45 (1-49/64")	50 (1-31/32")
B	160 (6-19/64")	160 (6-19/64")	160 (6-19/64")	160 (6-19/64")	155 (6-3/32")
C	525 (20-49/64")	520 (20-15/32")	515 (20-9/32")	510 (20-5/64")	505 (19-7/8")

Item No.	Weight (g)	Box (pcs)	Carton (pcs)
U-3005	338	6	60

Material	Finish/Color
304 Stainless Steel	Satin
Polyacetal	-

MULTI-ANGLE LID STAY

STAINLESS
304
STEEL

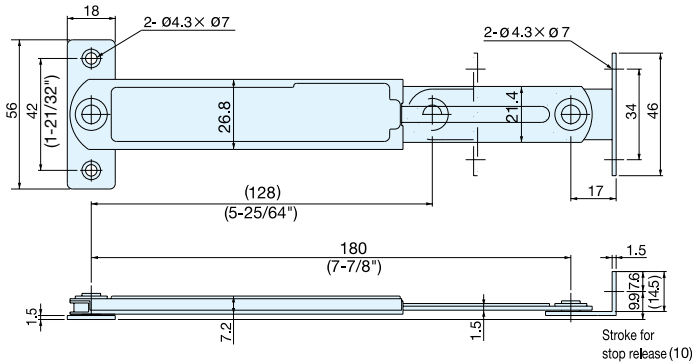
LOAD CAPACITY
7 kg
15 lbs

STAINLESS

U-3031



- Ratchet stay holds flap lid at multiple angles.
- Non-handed
- Thin and compact design.
- Completely open the door to release lock.
- Completely close the door to re-engage the lock.



Material	Finish
304 Stainless Steel	Satin

Item No.	Stop Positions	Load Capacity (kg)	Weight (g)	Box (pcs)	Carton (pcs)
U-3031	15	7 (15 lbs)	127	10	100

LID STAY (W/LOCK)

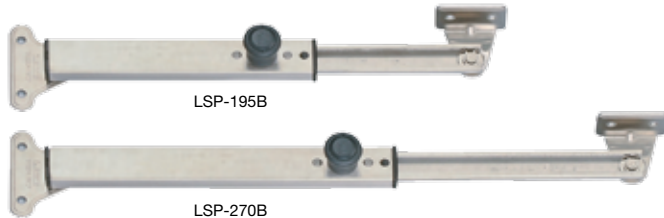
STAINLESS
304
STEEL

LOAD CAPACITY
30 kg
66 lbs

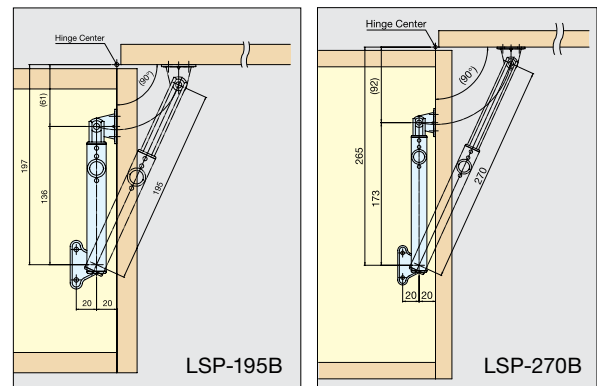
TEST 15
P.472

NO SCREW

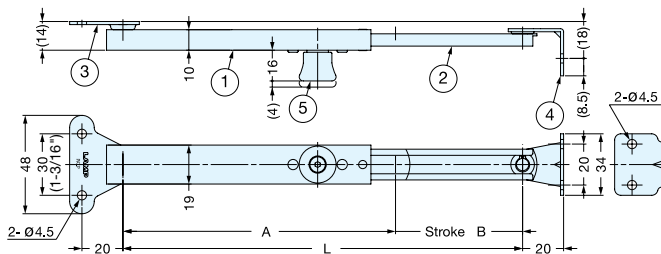
LSP



- Automatically locks lid when fully opened.
- Pull the locking knob to release lock.
- Ideal for vibration or shock applications.
- Can be installed individually or in pairs.
- Non-Handed: Can be installed on left or right side.



*Lid stay must be installed parallel to the sidewall.



No.	Part Name	Material	Finish/Color
①	Case	304 Stainless Steel	Satin
②	Arm		
③	Case Bracket		
④	Arm Bracket	ABS	Dark Grey
⑤	Locking knob		

Item No.	L	A	B	Load Capacity (kg)	Weight (g)	Box (pcs)	Carton (pcs)
LSP-195B	195 (7-43/64")	133 (5-15/64")	62 (2-7/16")	30 (66 lbs)	126	6	60
LSP-270B	270 (10-5/8")	170 (6-11/16")	100 (3-15/16")	30 (66 lbs)	147		

MINI-DOOR CLOSER (W/DAMPER)



YMC

LID SUPPORTS

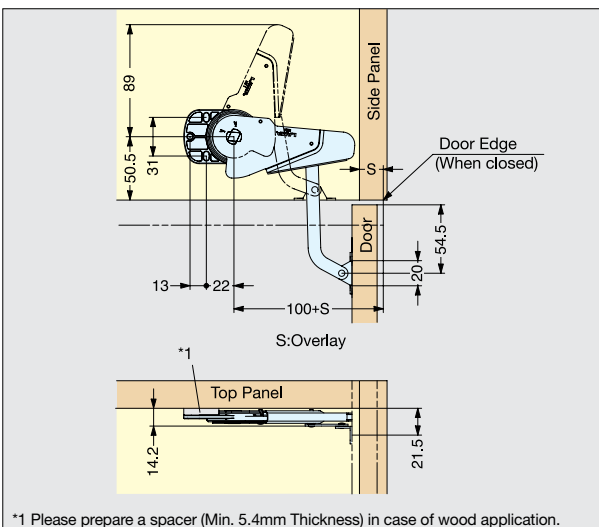
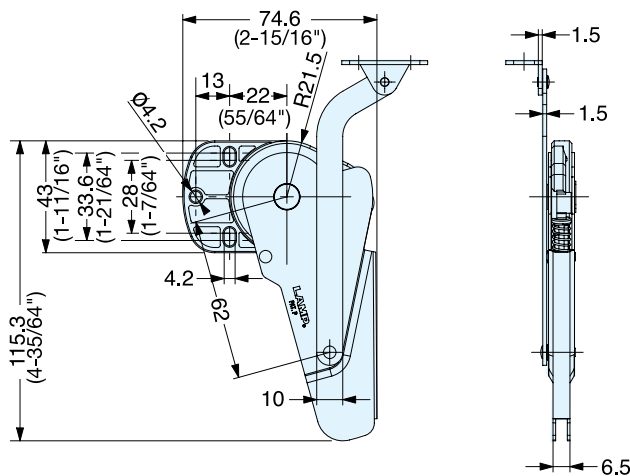
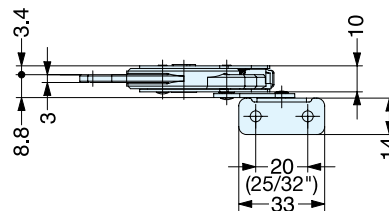
MINI-DOOR CLOSERS (W/DAMPER)



- Low profile door closer for small horizontally swinging doors.
- Equipped with dampening mechanism for soft close.
- Stay will hold the door in 90° open position.
- Push the door to close. Once pushed, stay will gently pull the door and close.
- Thin body designed to be installed on top panel.
- Durable stainless steel construction.
- Handed: Specific left and right hand mounting.
- Recommended screws: M4

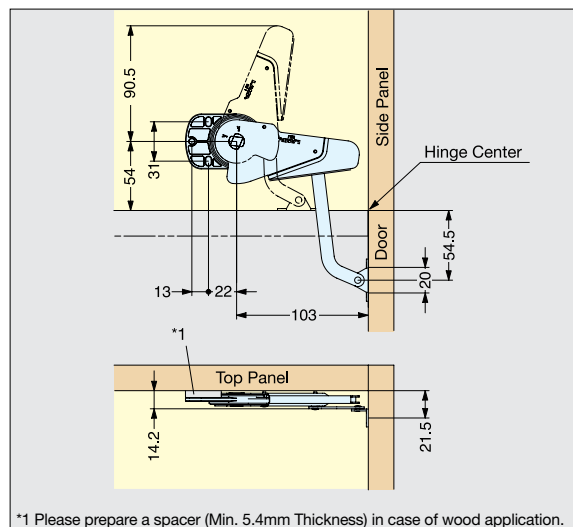


YMC-R shown



*1 Please prepare a spacer (Min. 5.4mm Thickness) in case of wood application.

Installation (With Concealed Hinge)



*1 Please prepare a spacer (Min. 5.4mm Thickness) in case of wood application.

Installation (With Piano/Butt Hinge)

Item No.		Opening Angle	Door Weight (kg)	Door Width (mm)	Weight (g)	Box (pcs)	Carton (pcs)
Left	Right						
YMC-L	YMC-R	0°~ 90°	0.3~0.7 (0.66~1.54 lbs)	Max. 300 (11-13/16")	103	50	500

Material	Finish/Color
PBT, 304 Stainless Steel	Grey/Plain

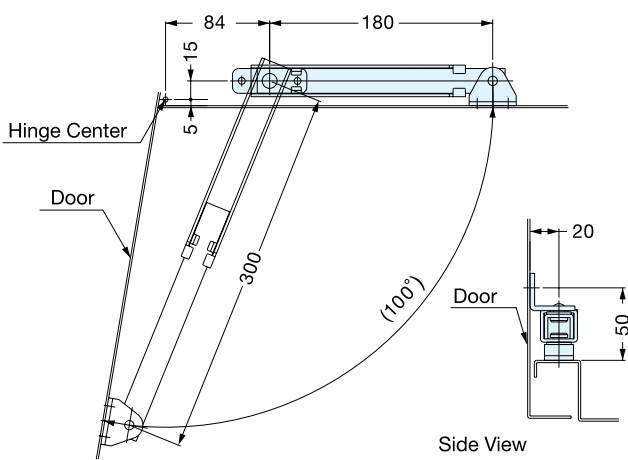
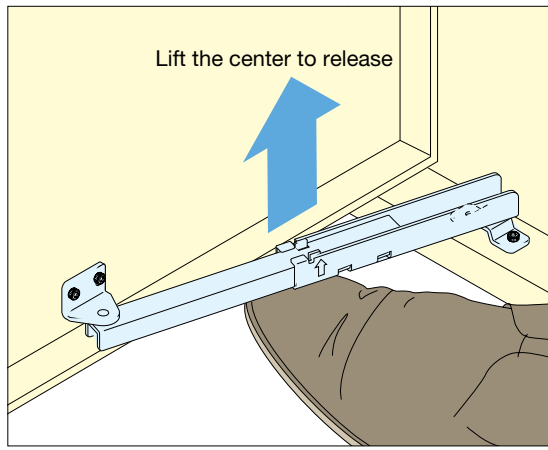
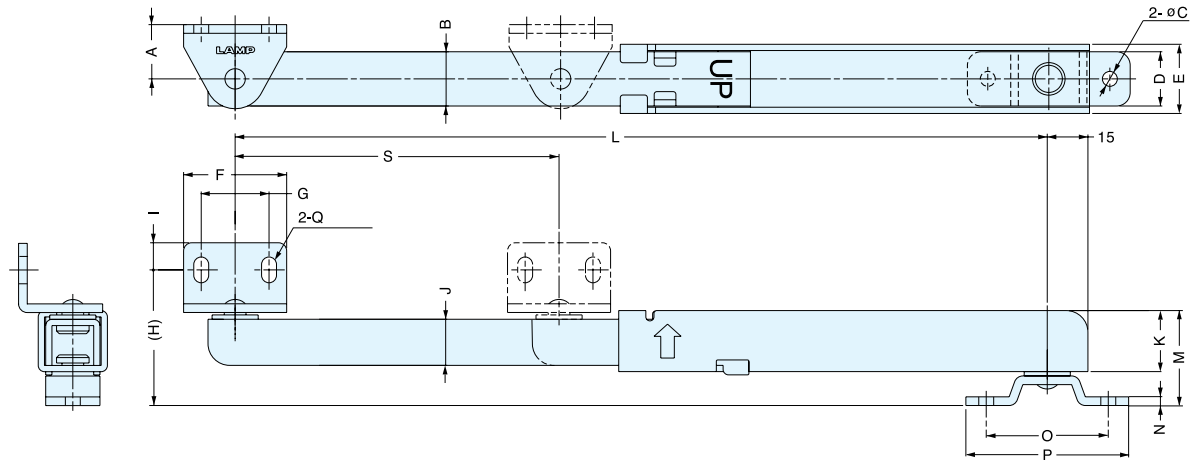
FOOT STAYS



YF



- Mechanically locks door when fully opened.
- Simply lift the stay with foot toe to release the lock.
- Mount at bottom of door.
- Non-Handed: Can be installed on left or right side.



Item No.	L	S	A	B	C	D	E	F	G	(H)	I	J	K	M	N	O	P	Q
YF-200	200 (7-7/8")	70 (2-3/4")	15	15.9	5.5	17	20.0	33	20	42	8	15.7	20.0	30	2.3	35	50	5.5 x 8.0
YF-300	300 (11-13/16")	120 (4-23/32")	20	20.0	5.5	20	25.5	38	25	50	10	17.0	22.5	35	3.2	45	60	5.5 x 9.5
YF-300-T50					9.0											50	72	
YF-300W					5.5											45	60	

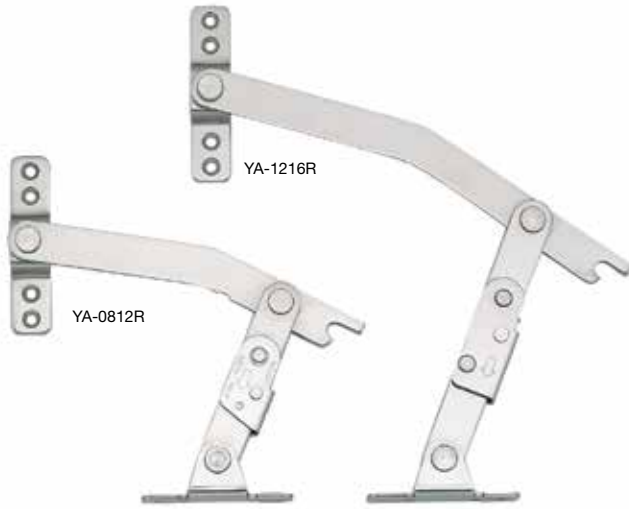
Item No.	Tensile Force (kg)	Compression Load (kg)	Weight (kg)	Box (pcs)	Carton (pcs)	Part Name	Material	Finish
YF-200	Max. 90 (198 lbs)	Max. 50 (110 lbs)	205	10	100	Body	Steel	Yellow Zinc Chromate
YF-300	Max.150 (330 lbs)	Max. 60 (132 lbs)	452	5	30	Bracket		
YF-300-T50			460			Pin	304 Stainless Steel	-
*YF-300W			452					

DOOR HOLDER

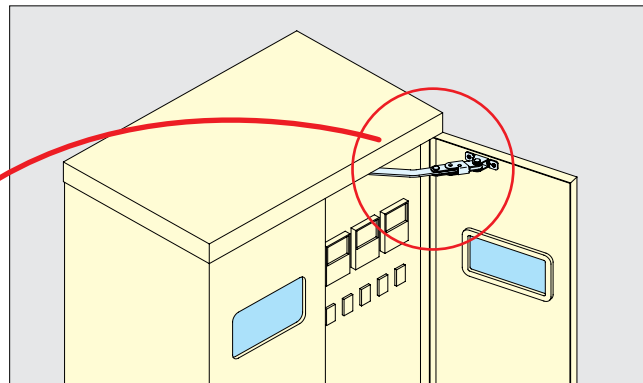
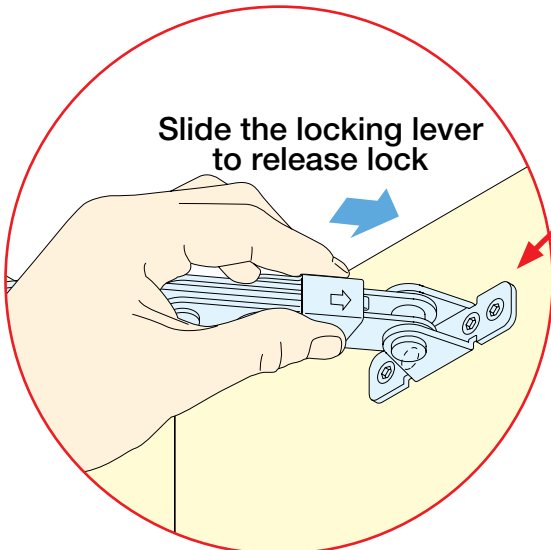
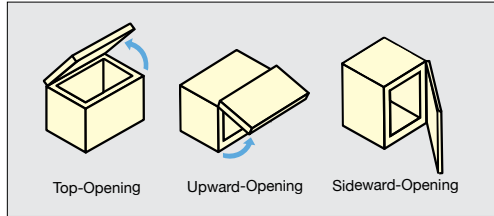
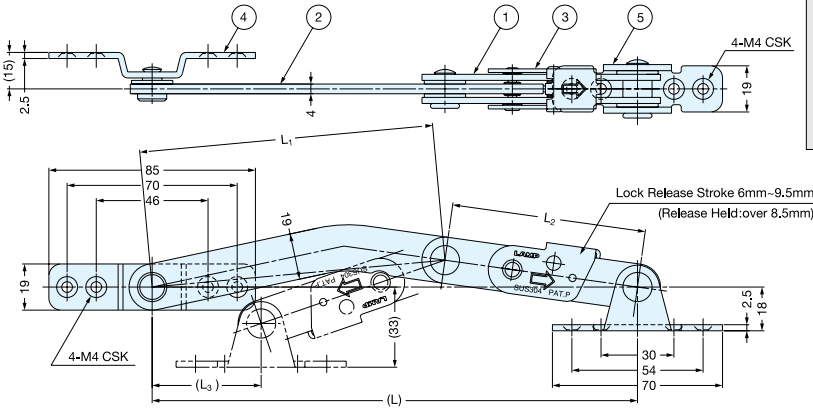
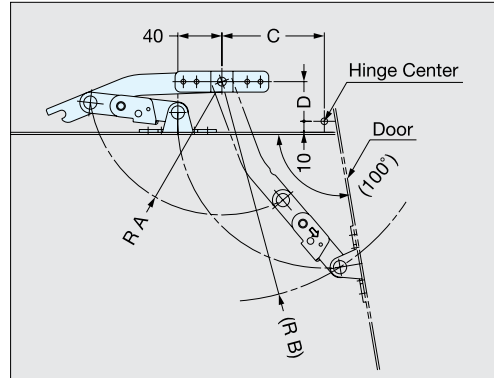


YA-0812, 1216

DOOR HOLDER LID SUPPORTS



- Automatically locks door when fully opened.
- Slide the locking lever to release lock. Lever will keep the unlocked position until the door is moved, for easy handling.
- Non-Handed: Can be installed on left or right side.



No.	Part Name	Material	Finish
①	Outer Plate	304 Stainless Steel	Polished
②	Arm		
③	Slide Grip		
④	Arm Bracket		
⑤	Base Bracket		

Item No.	Type	L	L ₁	L ₂	L ₃	A	B	C	D	Weight (g)	Box (pcs)	Carton (pcs)
YA-0812L	Left	200	121	80	45	121	200	93	36	291	5	30
YA-0812R	Right	(7-7/8")	(4-49/64")	(3-5/32")								
YA-1216L	Left	280	161	120	44	161	280	145	40	340		
YA-1216R	Right	(11-1/32")	(6-11/32")	(4-23/32")								

