
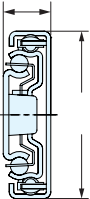











# DRAWER SLIDES




RAIL WITH GUIDE BLOCK  
LIGHT TO HEAVY DUTY  
FULL EXTENSION  
3/4 EXTENSION  
LOW PROFILE  
ALUMINUM

STAINLESS STEEL FULL EXTENSION SLIDES


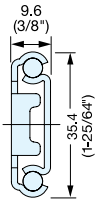

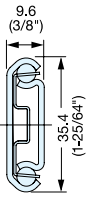

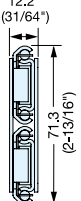

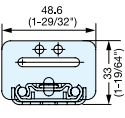

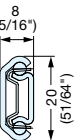
Item No.	Load Rating	Page	Side View	Hold-In Detent	Hold-Out Detent	Positive Stop	Positive Lock	Positive Catch	Front Disconnect	Friction Brake Stop	Quick Disconnect	Others	Non-Handed
				Features									
ESR-SC4513 	31 - 37 kg (68 - 82 lbs)	240		●	●				●			Soft Close	
ESR-DC4513 	40 - 54 kg (87 - 119 lbs)	241		●	●				●				●
ESR-3813 	29 - 45 kg (64 - 98 lbs)	242		●	●				●				●
ESR-6 	45 - 60 kg (99 - 132 lbs)	243				●							●
ESR-7 	36 - 64 kg (79 - 139 lbs)	244				●			●				●
ESR-3 	43 - 65 kg (94 - 143 lbs)	245				●					●		

Item No.	Load Rating	Page	Side View	Features											
				Hold-In Detent	Hold-Out Detent	Positive Stop	Positive Lock	Positive Catch	Front Disconnect	Friction Brake Stop	Quick Disconnect	Others	Non-Handed		
5302	 64 - 116 kg (140 - 255 lbs)	246		●	●										●
ESR-10	 182 - 272 kg (400 - 599 lbs)	247				●									●
TSS3	 50 - 95 kg (110 - 209 lbs)	248				●									●
ESR-2031	 13 - 17 kg (28 - 37 lbs)	256				●							Full Extension		●

STAINLESS STEEL 3/4 EXTENSION SLIDES

Item No.	Load Rating	Page	Side View	Features												
				Hold-In Detent	Hold-Out Detent	Positive Stop	Positive Lock	Positive Catch	Front Disconnect	Friction Brake Stop	Quick Disconnect	Others	Non-Handed			
ESR-1	 25 - 49 kg (55 - 107 lbs)	249							●						Friction Brake Stop	●

STAINLESS STEEL FULL EXTENSION SLIDES

Item No.	Load Rating	Page	Side View	Features										
				Hold-In Detent	Hold-Out Detent	Positive Stop	Positive Lock	Positive Catch	Front Disconnect	Friction Brake Stop	Quick Disconnect	Others	Non-Handed	
ESR-13  	25 - 49 kg (55 - 107 lbs)	250				●							Positive Catch	●
ESR-8  	25 - 49 kg (55 - 107 lbs)	251					●		●					●
ESR-5  	80 - 114 kg (176 - 251 lbs)	252				●								●
ESR-2  	5 - 8 kg (11 - 18 lbs)	253							●				Undermount	
ESR-2021  	11 - 16 kg (24 - 35 lbs)	256				●								●



ALUMINUM FULL EXTENSION SLIDES

Item No.	Load Rating	Page	Side View	Hold-In Detent	Hold-Out Detent	Positive Stop	Positive Lock	Positive Catch	Front Disconnect	Friction Brake Stop	Quick Disconnect	Others	Non-Handed
				Features									
AR3-16	2 - 4 kg (8.8 lbs)	257				●							●
AR3	3.1 - 11.2 kg (7 - 25 lbs)	258				●							●
AR3-K	8.7 - 10.7 kg (19 - 23 lbs)	259		●		●							●

ALUMINUM 3/4 EXTENSION SLIDES

Item No.	Load Rating	Page	Side View	Hold-In Detent	Hold-Out Detent	Positive Stop	Positive Lock	Positive Catch	Front Disconnect	Friction Brake Stop	Quick Disconnect	Others	Non-Handed
				Features									
AR2	8.2 - 15.3 kg (18 - 34 lbs)	258				●							●
AR2-K	8.7 - 12.7 kg (19 - 28 lbs)	259		●		●							●

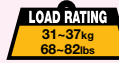
GUIDE SYSTEMS

Item No.	Page	Side View	Load Rating	Length
MRS-15, MR-15CS	260		<p><b>Horizontal Static Load:</b> 10.2 kgf (22.48 lbs)</p> <p><b>Vertical Static Load:</b> 3.0 kgf (6.61 lbs)</p>	100-800 mm (3-15/16" ~ 31-1/2")
MRS20, MR-20CS	261		<p><b>Horizontal Static Load:</b> 30.6 kgf (67.5 lbs)</p> <p><b>Vertical Static Load:</b> 17.8 kgf (39.2 lbs)</p>	100-2000 mm (3-15/16" ~ 78-47/64")
MRS30, MR-50C	262		<p><b>Horizontal Static Load:</b> 26 kgf (57.2 lbs)</p> <p><b>Vertical Static Load:</b> 15 kgf (33 lbs)</p>	100-2000 mm (3-15/16" ~ 78-47/64")

LGB30 SYSTEM

Item No.	Page	Load Rating	Length	
LGB-30CM	264	30 kg (66 lbs)		
LGB30	264		400 - 2000 mm (15-3/4" ~ 78-47/64")	
LGB30-ST	265		-	
LGB30-P65-100	265		-	

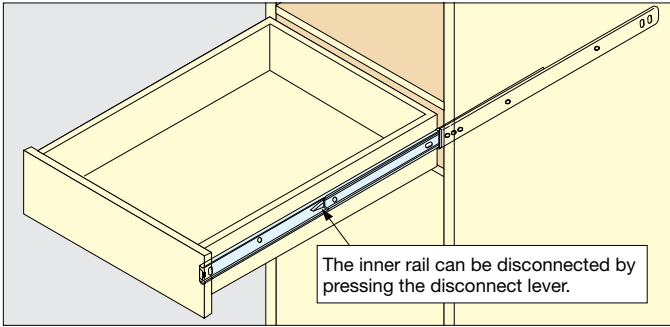
# FULL EXTENSION SOFT CLOSE SLIDE



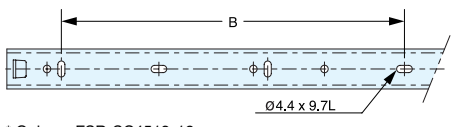
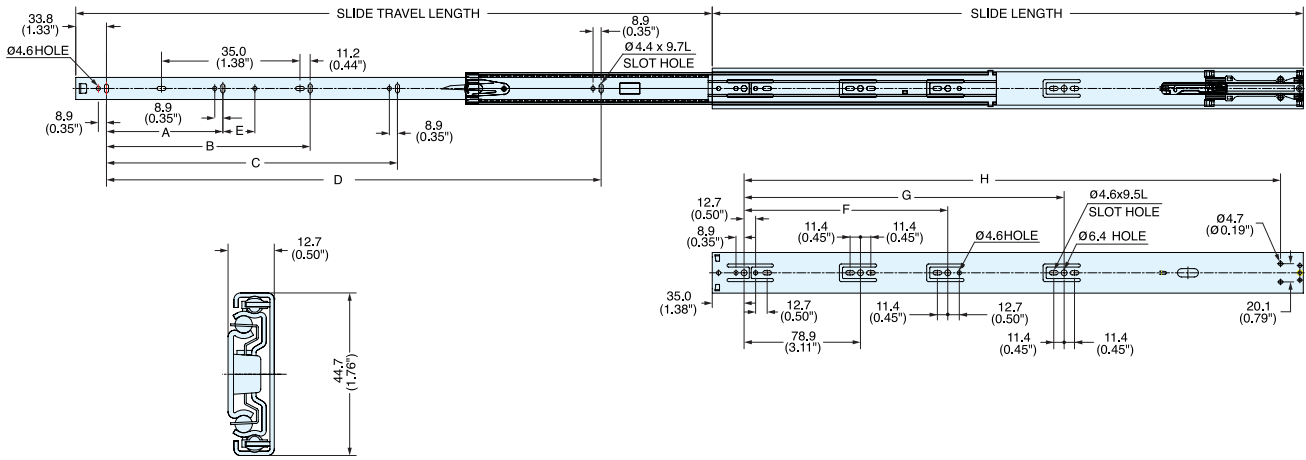
# ESR-SC4513

DRAWER SLIDES

FULL EXTENSION SOFT CLOSE SLIDE



- Full extension.
- Front disconnect.
- Positive stop.
- Hold-in detent 700 g-f (1.5 lb) max.
- Handed: specific left and right hand mounting.
- Sold in pairs.
- Inner member clearance provided for screws 8 mm x 2 mm HT.
- Outer member clearance provided for screws 8 mm x 2 mm HT.
- Mount with M4 or #8 Binding, Pan, or Truss head screws.



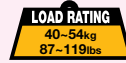
25.4 mm=1"

Part Name	Material
Outer Member	304 Stainless Steel
Middle Member	
Inner Member	
Damper S/C Assy	304 Stainless Steel/POM / Nylon 66
Rivet #1	304 Stainless Steel
Retainer	Polypropylene
Ball Case	304 Stainless Steel
Hook Block	Nylon 66
Rivet #2	304 Stainless Steel
Disconnecter	Nylon 66
Stopper (Guide)	Nylon 6
Balls	304 Stainless Steel
Grease	H1 Grade

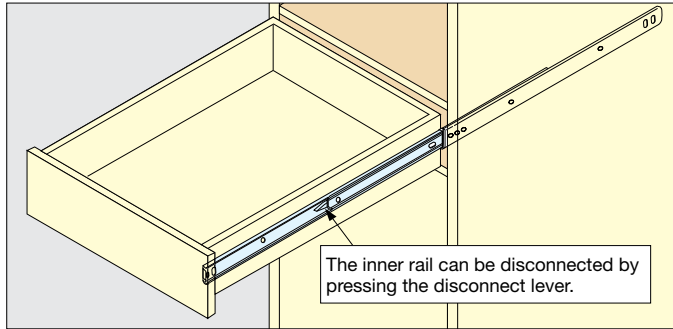
Item No.	Slide Length	Travel Length	A	B	C	D	E	F	G	H	Load Rating (kg/pair)	Weight (g)	Box (Pair)
ESR-SC4513-16	400 ( 15-3/4" )	400 ( 15-3/4" )	128	-	-	-	35.2	224	352	340	37 (82 lbs)	996	10
ESR-SC4513-18	450 (17-23/32")	450 (17-23/32")		212.8	-	-				390	36 (79 lbs)	1153	
ESR-SC4513-20	500 (19-11/16")	500 (19-11/16")		-	339	-				440	35 (77 lbs)	1303	
ESR-SC4513-22	550 (21-21/32")	550 (21-21/32")		-	384	-				490	34 (75 lbs)	1472	
ESR-SC4513-24	600 ( 23-5/8" )	600 ( 23-5/8" )		224.0	288	416				540	33 (73 lbs)	1623	
ESR-SC4513-26	650 (25-19/32")	650 (25-19/32")		-	496	-				590	32 (70 lbs)	1779	
ESR-SC4513-28	700 ( 27-9/16" )	700 ( 27-9/16" )		320	544	-				640	31 (68 lbs)	1940	



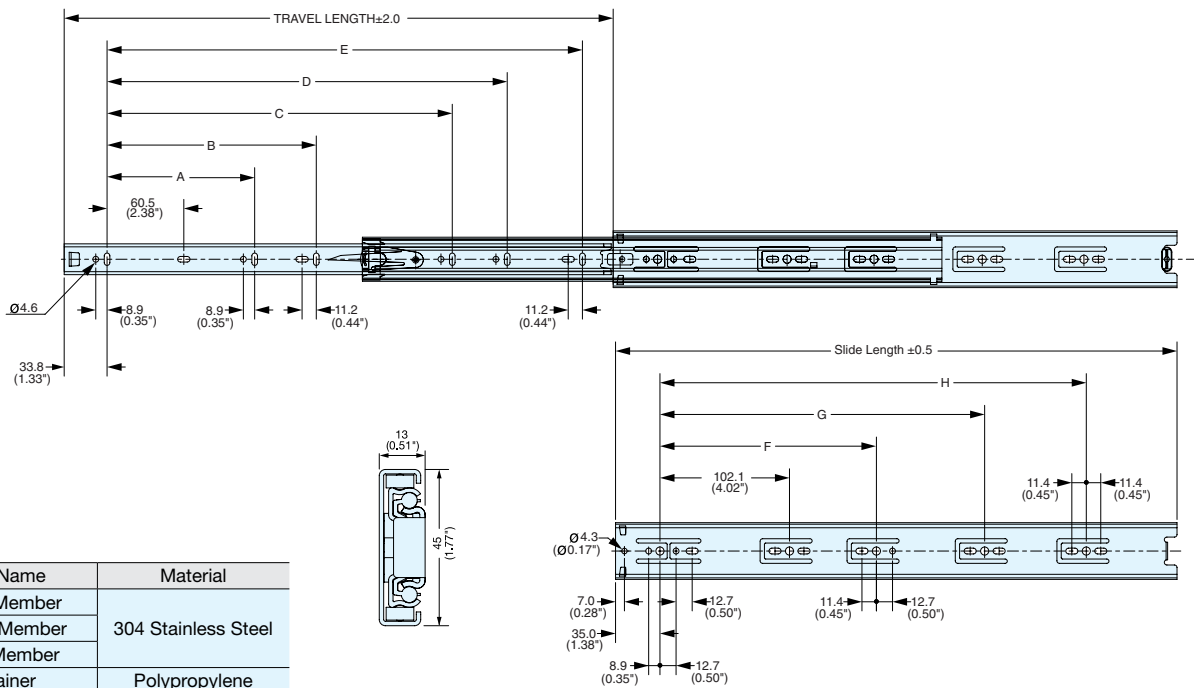
# FULL EXTENSION SLIDE



# ESR-DC4513



- Full extension.
- Front disconnect.
- Positive stop.
- Hold-in detent.
- Non-handed.
- \* Sold in pairs.
- \* Mount with M4 or #8, Binding or Pan head screws.



25.4mm=1"

Part Name	Material
Outer Member	304 Stainless Steel
Middle Member	
Inner Member	
Retainer	Polypropylene
Ball Case	304 Stainless Steel
Stopper (Guide)	Nylon 6
Disconnecter	Nylon 66
Rivet	304 Stainless Steel
Stopper	Urethane
Balls	304 Stainless Steel
Grease	H1 Grade

Item No.	Slide Length	Travel Length	A	B	C	D	E	F	G	H	Load Rating (kg/pair)	Weight (g)	Box (Pair)
ESR-DC4513-8	200 ( 7-7/8" )	200 ( 7-7/8" )	-	-	-	-	142	-	-	-	54 (119 lbs)	447	10
ESR-DC4513-10	250 ( 9-27/32" )	250 ( 9-27/32" )	-	-	-	-	192	-	-	-	52 (115 lbs)	603	
ESR-DC4513-12	300 (11-13/16" )	300 (11-13/16" )	-	-	-	-	242	-	-	-	50 (111 lbs)	754	
ESR-DC4513-14	350 (13-25/32" )	350 (13-25/32" )	-	-	-	-	292	-	-	-	49 (108 lbs)	919	
ESR-DC4513-16	400 ( 15-3/4" )	400 ( 15-3/4" )	-	-	-	-	342	320	-	-	47 (104 lbs)	1064	
ESR-DC4513-18	450 (17-23/32" )	450 (17-23/32" )	-	-	-	-	392	352	-	-	46 (100 lbs)	1228	
ESR-DC4513-20	500 (19-11/16" )	500 (19-11/16" )	-	-	320	-	442	416	-	-	44 (97 lbs)	1373	
ESR-DC4513-22	550 (21-21/32" )	550 (21-21/32" )	128	-	-	416	492	352	448	-	43 (94 lbs)	1528	
ESR-DC4513-24	600 ( 23-5/8" )	600 ( 23-5/8" )	-	-	-	-	542	416	480	-	42 (92 lbs)	1687	
ESR-DC4513-26	650 (25-19/32" )	650 (25-19/32" )	-	224	498	544	592	416	608	-	41 (90 lbs)	1854	
ESR-DC4513-28	700 ( 27-9/16" )	700 ( 27-9/16" )	-	-	-	-	642	416	608	-	40 (87 lbs)	2020	

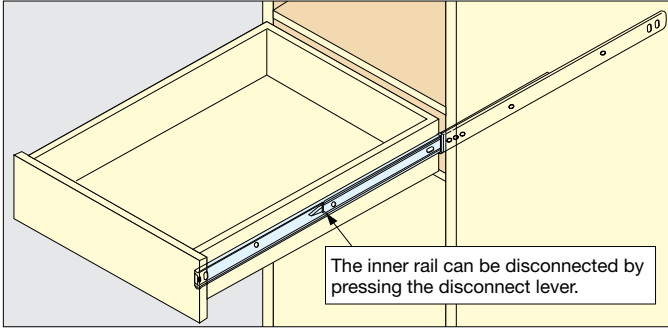
# FULL EXTENSION SLIDE



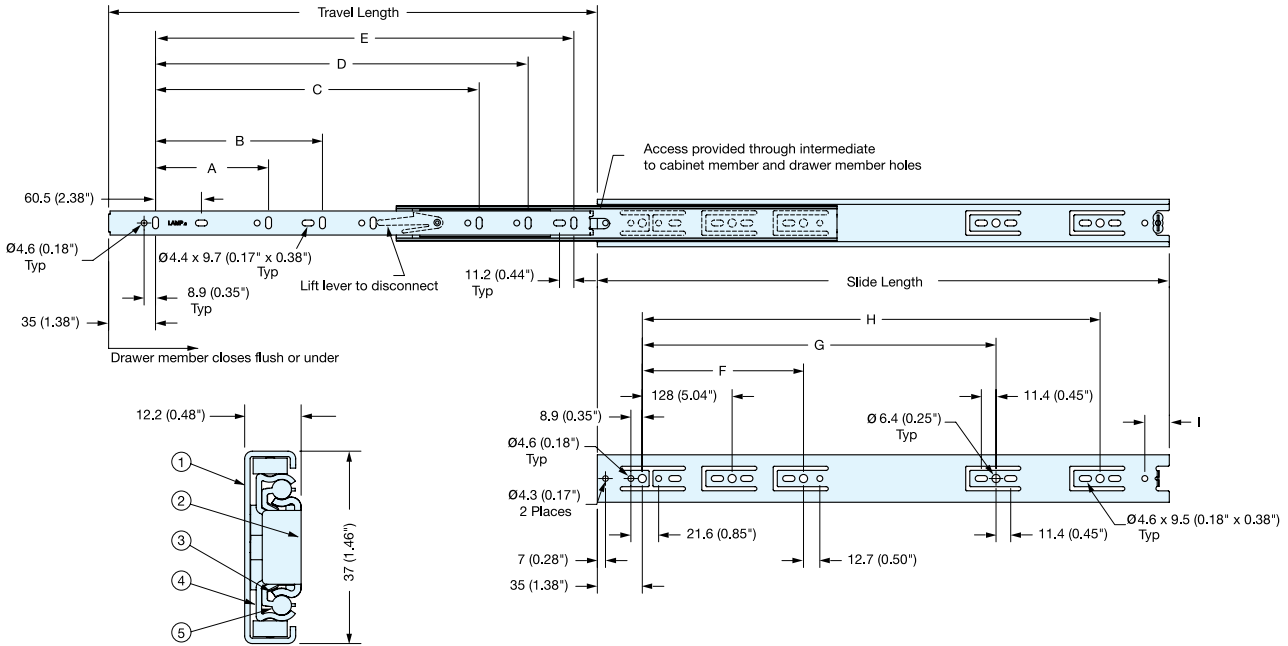
# ESR-3813

DRAWER SLIDES

STAINLESS STEEL SLIDES



- Full extension.
- Front disconnect.
- Positive stop.
- Hold-in detent.
- Non-handed.
- \* Sold in pairs.
- \* Mount with M4 or #8, Binding or Pan head screws.

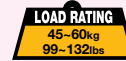


25.4mm=1"

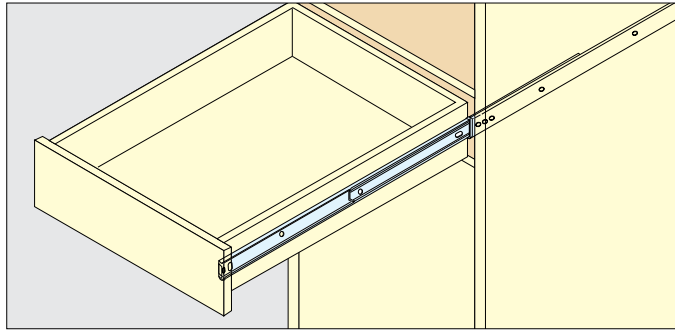
No.	Part Name	Material
①	Outer Rail	304 Stainless Steel
②	Inner Rail	
③	Retainer	
④	Intermediate Member	
⑤	Balls	

Item No.	Slide Length	Travel Length	A	B	C	D	E	F	G	H	I	Load Rating (kg/pair)	Weight (g)	Box (Pair)
ESR-3813-8	200 ( 7-7/8" )	200 ( 7-7/ 8" )	-	-	-	-	142	-	-	-	-	45 (98 lbs)	400 (0.88 lbs)	10
ESR-3813-10	250 ( 9-27/32" )	243 ( 9-9/16" )	-	-	-	192	-	-	-	-	-	42 (92 lbs)	530 (1.19 lbs)	
ESR-3813-12	300 ( 11-13/16" )	305 ( 12" )	-	-	-	242	-	-	-	-	-	40 (88 lbs)	637 (1.40 lbs)	
ESR-3813-14	350 ( 13-25/32" )	355 ( 14" )	-	-	-	292	-	-	-	-	-	38 (84 lbs)	726 (1.60 lbs)	
ESR-3813-16	400 ( 15-3/4" )	406 ( 16" )	-	-	-	342	-	-	320	-	-	36 (79 lbs)	816 (1.80 lbs)	
ESR-3813-18	450 ( 17-23/32" )	457 ( 18" )	128	-	-	392	224	-	352	-	19.1	34 (75 lbs)	910 (2.00 lbs)	
ESR-3813-20	500 ( 19-11/16" )	508 ( 20" )	-	-	320	442	-	-	416	-	-	33 (73 lbs)	1000 (2.20 lbs)	
ESR-3813-22	550 ( 21-21/32" )	559 ( 22" )	-	-	-	416	492	-	352	448	-	31 (68 lbs)	1090 (2.40 lbs)	
ESR-3813-24	600 ( 23-5/8" )	610 ( 24" )	-	224	416	-	542	-	-	480	-	29 (64 lbs)	1180 (2.60 lbs)	

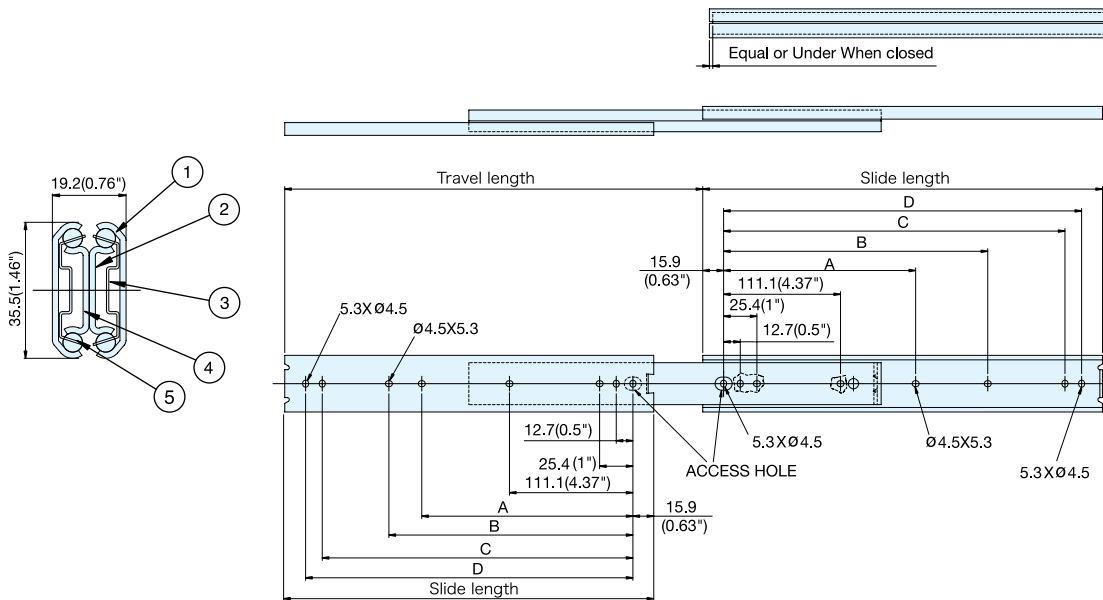
# FULL EXTENSION SLIDE



# ESR-6



- Full extension.
- Positive stop.
- Non-handed.
- \* Mount with M4 or #8 Binding, Pan, or Truss head screws.

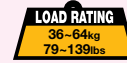


25.4mm=1"

No.	Part Name	Material
①	Outer Rail	304 Stainless Steel
②	Inner Rail	
③	Retainer	
④	Intermediate Member	
⑤	Balls	

Item No.	Slide Length	Travel Length	A	B	C	D	# of Holes Outer Rail	Load Rating (kg/pair)	Weight (g)	Box (pcs)
ESR-6-12	304.8 (12")	326 (12-27/32")	-	149.2	260.3	273.0	7	60 (132 lbs)	610	16
ESR-6-14	355.6 (14")	377 (14-27/32")	-	200.0	311.1	323.8		59 (130 lbs)	710	
ESR-6-16	406.4 (16")	428 (16-27/32")	-	250.8	361.9	374.6		57 (126 lbs)	810	
ESR-6-18	457.2 (18")	479 (18-55/64")	212.7	301.6	412.7	425.4	8	56 (123 lbs)	920	
ESR-6-20	508.0 (20")	529 (20-53/64")	238.1	352.4	463.5	476.2		53 (117 lbs)	980	
ESR-6-22	558.8 (22")	580 (22-27/32")	263.5	403.2	514.3	527.0		51 (112 lbs)	1120	
ESR-6-24	609.6 (24")	631 (24-27/32")	288.9	454.0	565.1	577.8		49 (108 lbs)	1230	
ESR-6-26	660.4 (26")	682 (26-26/32")	314.3	504.8	615.9	628.6		47 (104 lbs)	1330	
ESR-6-28	711.2 (28")	732 (28-13/16")	339.7	555.6	666.7	679.4		45 (99 lbs)	1440	

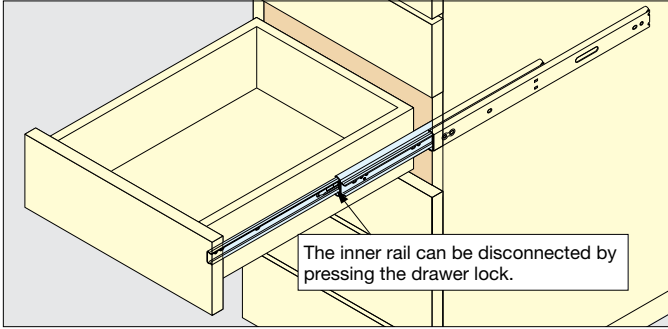
# FULL EXTENSION SLIDE



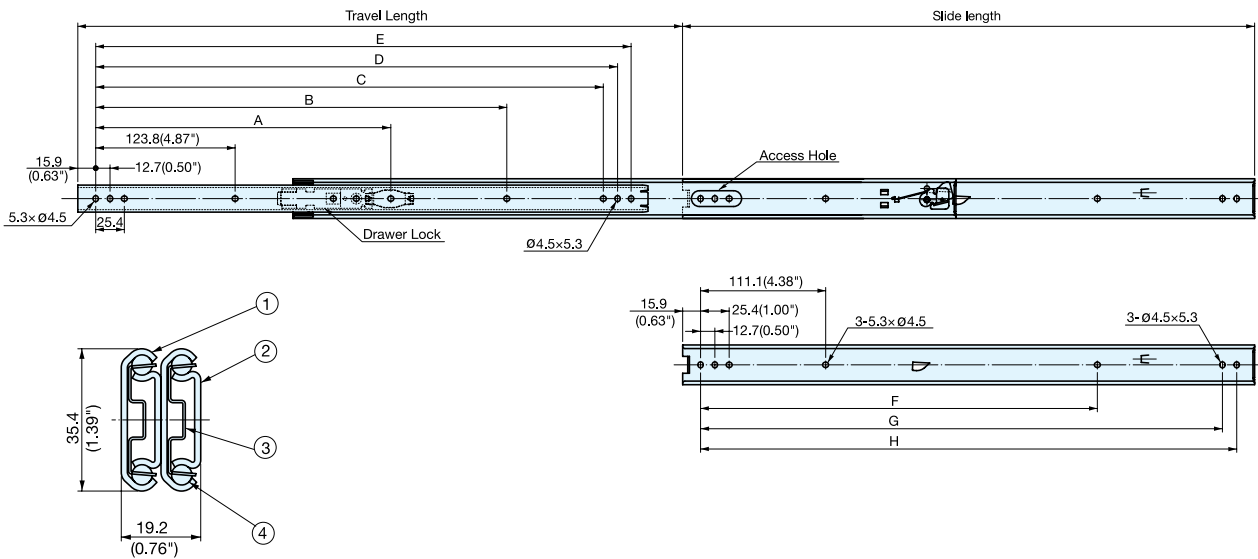
# ESR-7

DRAWER SLIDES

STAINLESS STEEL SLIDES



- Full extension.
  - Front disconnect.
  - Positive lock.
  - Non-handed.
- \* Mount with M4 or #8 Binding, Pan, or Truss head screws.

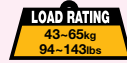


25.4mm=1"

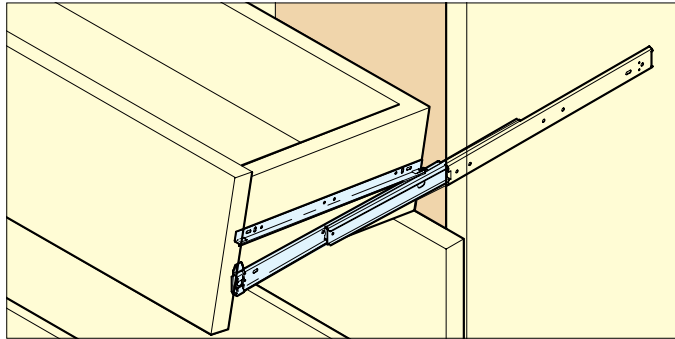
No.	Part Name	Material
①	Outer Rail	304 Stainless Steel
②	Inner Rail	
③	Retainer	
④	Balls	

Item No.	Slide Length	Travel Length	A	B	C	D	E	F	G	H	# of Holes		Load Rating (kg/pair)	Weight (g)	Box (pcs)
											Inner Rail	Outer Rail			
ESR-7-12	304.8 (12")	336.0 (13-7/32")	-	-	-	260.3	273.0	-	260.3	273.0	5	6	64 (139 lbs)	640	16
ESR-7-14	355.6 (14")	386.8 (15-7/32")	-	-	-	311.1	323.8	-	311.1	323.8	5	6	60 (131 lbs)	740	
ESR-7-16	406.4 (16")	437.6 (17-7/32")	-	-	349.2	361.9	374.6	250.8	361.9	374.6	6	6	57 (124 lbs)	840	
ESR-7-18	457.2 (18")	488.4 (19-7/32")	212.7	-	400.0	412.7	425.4	301.6	412.7	425.4	7	6	53 (115 lbs)	950	
ESR-7-20	508.0 (20")	539.2 (21-7/32")	238.1	-	450.8	463.5	476.2	352.4	463.5	476.2	7	6	49 (106 lbs)	1030	
ESR-7-22	558.8 (22")	590.0 (23-7/32")	263.5	415.9	501.6	514.3	527.0	403.2	514.3	527.0	7	6	45 (99 lbs)	1150	
ESR-7-24	609.6 (24")	640.8 (25-7/32")	288.9	466.7	552.4	565.1	577.8	454.0	565.1	577.8	8	6	42 (92 lbs)	1280	
ESR-7-26	660.4 (26")	691.6 (27-7/32")	314.3	517.5	603.2	615.9	628.6	504.8	615.9	628.6	8	6	39 (85 lbs)	1400	
ESR-7-28	711.2 (28")	742.4 (29-7/32")	339.7	568.3	654.0	666.7	679.4	555.6	666.7	679.4	8	6	36 (79 lbs)	1500	

# FULL EXTENSION SLIDE



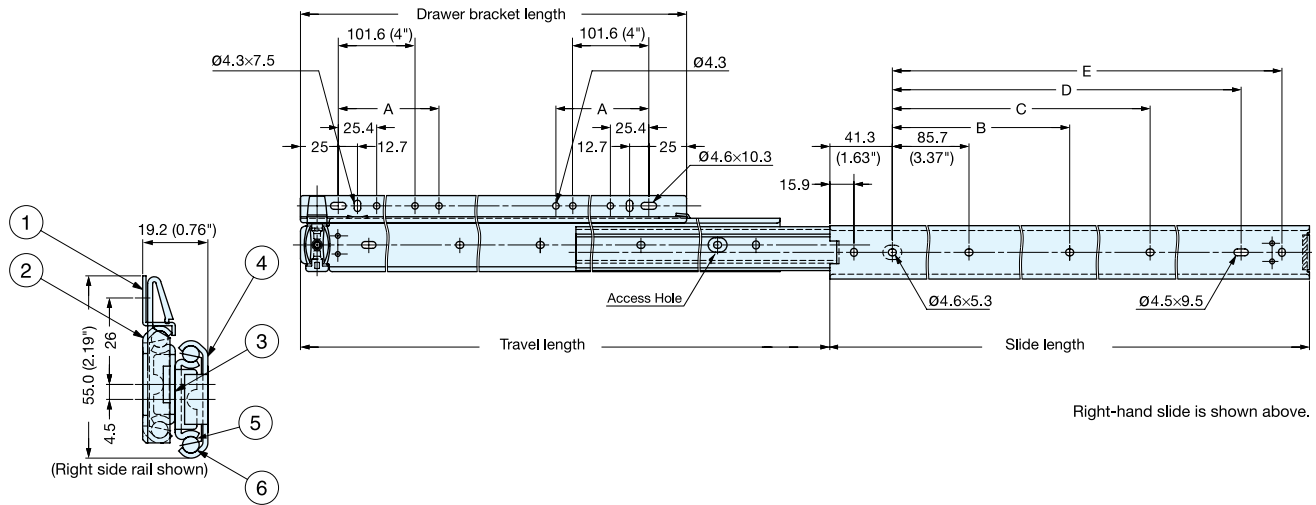
# ESR-3



- Handed.
- Full extension.
- Quick disconnect.
- Positive stop.
- \* Sold in pairs.
- \* Mount with M4 or #8 Binding, Pan, or Truss head screws.



Drawer Bracket



25.4mm=1"

No.	Part Name	Material
①	Drawer Bracket	304 Stainless Steel
②	Inner Rail	
③	Intermediate Member	
④	Outer Rail	
⑤	Retainer	
⑥	Balls	

Item No.	Slide Length	Travel Length	Drawer Bracket Length	A	B	C	D	E	# of Holes Outer Rail	Load Rating (kg/pair)	Weight (g)	Box (Pair)
ESR-3-12	304.8 (12")	348.4 (13-23/32")	273.0 ( 10-3/4" )	177.8	-	123.1	218.3	245.3	6	65 (143 lbs)	1400	5
ESR-3-14	355.6 (14")	399.2 (15-23/32")	273.0 ( 10-3/4" )			173.9	269.1	296.1		61 (134 lbs)	1600	
ESR-3-16	406.4 (16")	450.0 (17-23/32")	375.0 (14-49/64")			224.7	319.9	346.9		61 (134 lbs)	1900	
ESR-3-18	457.2 (18")	500.8 (19-23/32")	375.0 (14-49/64")		187.3	275.5	370.7	397.7	56 (123 lbs)	2100		
ESR-3-20	508.0 (20")	551.6 (21-23/32")	375.0 (14-49/64")		212.7	326.3	421.5	448.5	52 (114 lbs)	2300		
ESR-3-22	558.8 (22")	602.4 (23-23/32")	527.0 ( 20-3/4" )		238.1	377.1	472.3	499.3	52 (114 lbs)	2700		
ESR-3-24	609.6 (24")	653.2 (25-23/32")	527.0 ( 20-3/4" )		263.5	427.9	523.1	550.1	48 (105 lbs)	3000		
ESR-3-26	660.4 (26")	704.0 (27-23/32")	575.3 (22-21/32")		288.9	478.7	573.9	600.9	43 (94 lbs)	3100		
ESR-3-28	711.2 (28")	754.8 (29-23/32")	575.3 (22-21/32")		314.3	529.5	624.7	651.7	43 (94 lbs)	3500		

# FULL EXTENSION SLIDE

STAINLESS  
**304**  
STEEL

LOAD RATING  
64-116kg  
140-255lbs

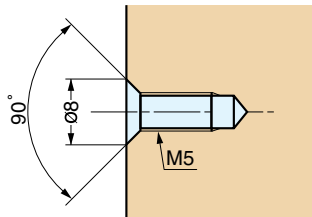
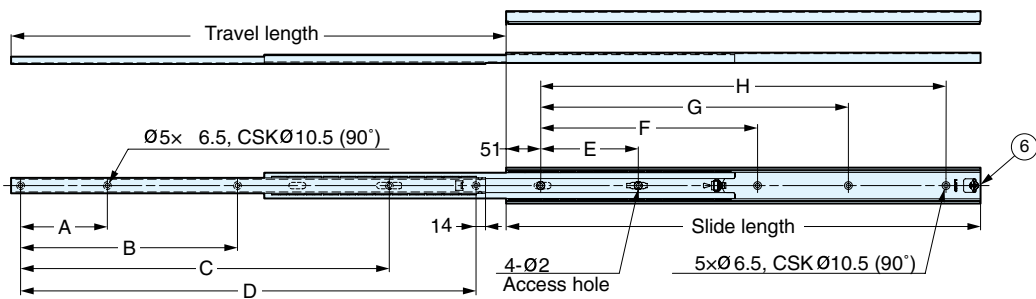
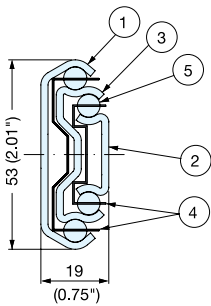
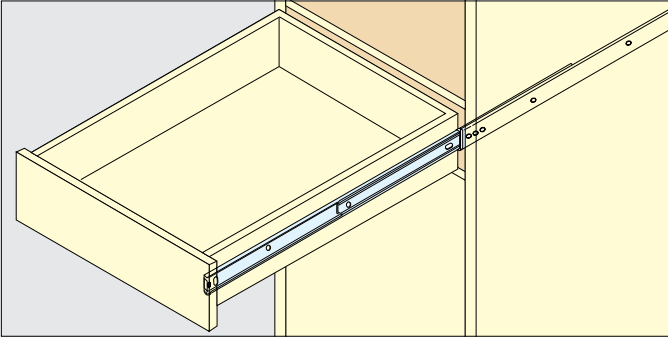
NO SCREW

**5302**

DRAWER SLIDES

STAINLESS STEEL SLIDES

- Full extension.
  - Positive stop.
  - Non-handed.
  - Hold-in detent.
- \* Mount with M5 Flat head screws.



25.4mm=1"

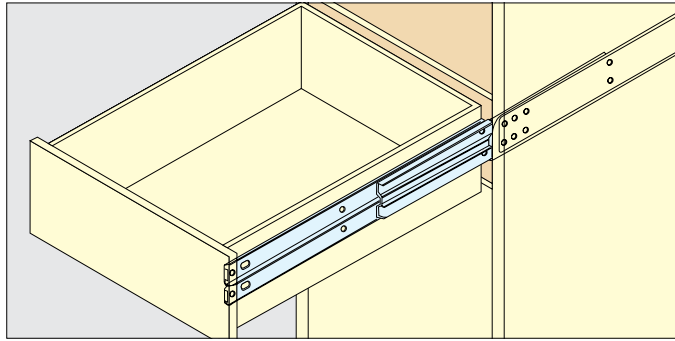
No.	Part Name	Material
①	Outer Rail	304 Stainless Steel
②	Inner Rail	
③	Intermediate Member	
④	Retainer	
⑤	Balls	
⑥	Detent	Rubber

Item No.	Slide Length	Travel Length	A	B	C	D	E	F	G	H	Load Rating (kg/pair)	Weight (g)	Box (pcs)
5302-300	300 (11-13/16")	334 ( 13-1/8" )	128	256	-	-	112	192	-	-	116 (255 lbs)	860	20
5302-350	350 (13-25/32")	384 ( 15-1/8" )	160	320	-	-	144	240	-	-	111 (244 lbs)	1000	
5302-400	400 ( 15-3/4" )	433 ( 17-1/16" )	160	256	352	-	80	224	304	-	99 (218 lbs)	1140	
5302-450	450 (17-23/32")	482 ( 19" )	128	288	416	-	112	272	352	-	96 (211 lbs)	1280	16
5302-500	500 (19-11/16")	532 ( 21" )	128	288	448	-	112	384	384	-	92 (201 lbs)	1430	
5302-550	550 (21-21/32")	580 (22-13/16")	192	320	512	-	112	288	448	-	86 (188 lbs)	1570	
5302-600	600 ( 23-5/8" )	630 (24-13/16")	208	336	544	-	112	336	496	-	81 (177 lbs)	1710	10
5302-650	650 (25-19/32")	677 ( 26-5/8" )	128	288	480	608	112	272	416	544	76 (166 lbs)	1850	
5302-700	700 (27-9/16")	728 ( 28-5/8" )	128	336	544	672	144	304	448	592	71 (155 lbs)	2000	
5302-750	750 (29-17/32")	777 ( 30-5/8" )	192	370	530	722	176	336	496	648	68 (149 lbs)	2140	8
5302-800	800 ( 31-1/2" )	826 ( 32-1/2" )	224	388	548	772	192	384	576	688	64 (140 lbs)	2280	

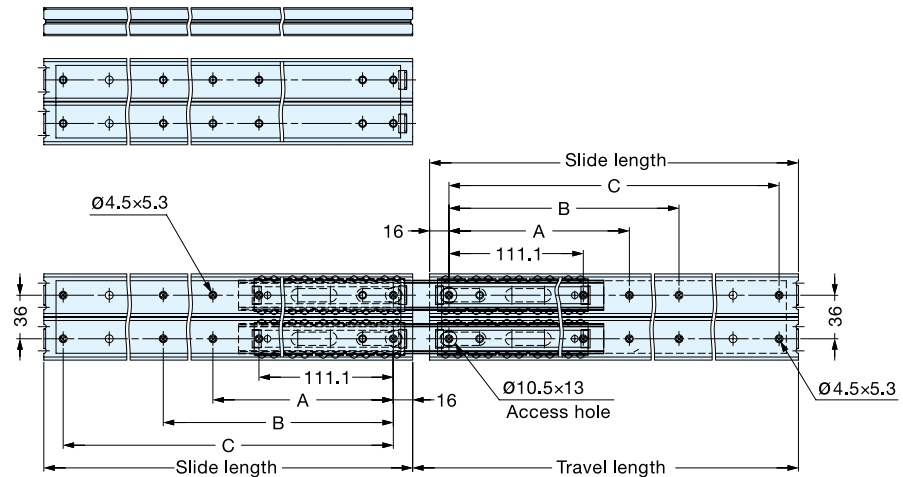
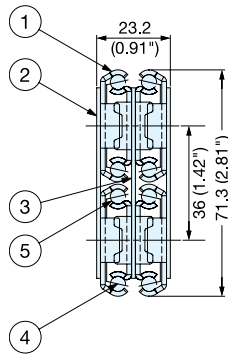
# FULL EXTENSION SLIDE



**ESR-10**



- Full extension.
- Positive stop.
- Non-handed.
- Heavy duty.
- \* Mount with M4 or #8 Binding, Pan, or Truss head screws.



25.4mm=1"

No.	Part Name	Material
①	Outer Rail	304 Stainless Steel
②	Tie Plate	
③	Intermediate Member	
④	Retainer	
⑤	Balls	

Item No.	Slide Length	Travel Length	A	B	C	# of Holes	Load Rating (kg/pair)	Weight (g)	Box (pcs)
ESR-10-12	304.8 (12")	319.0 (12-9/16")	-	149.2	273.0	16	272 (599 lbs)	1670	8
ESR-10-14	355.6 (14")	369.8 (14-9/16")		200.0	323.8				
ESR-10-16	406.4 (16")	420.6 (16-9/16")		250.8	374.6				
ESR-10-18	457.2 (18")	471.4 (18-9/16")	212.7	301.6	425.4	20	250 (550 lbs)	2500	6
ESR-10-20	508.0 (20")	522.2 (20-9/16")	238.1	352.4	476.2		241 (530 lbs)	2840	
ESR-10-22	558.8 (22")	573.0 (22-9/16")	263.5	403.2	527.0		229 (504 lbs)	3250	
ESR-10-24	609.6 (24")	623.8 (24-9/16")	288.9	454.0	577.8		216 (475 lbs)	3500	
ESR-10-26	660.4 (26")	674.6 (26-9/16")	314.3	504.8	628.6		200 (440 lbs)	3840	
ESR-10-28	711.2 (28")	725.4 (28-9/16")	339.7	555.6	679.4	182 (400 lbs)	4170		

# FULL EXTENSION SLIDE

**LOAD RATING**  
50-95kg  
110-209lbs

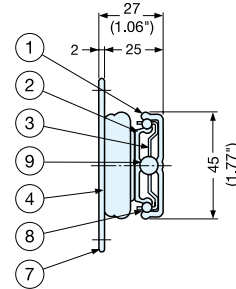
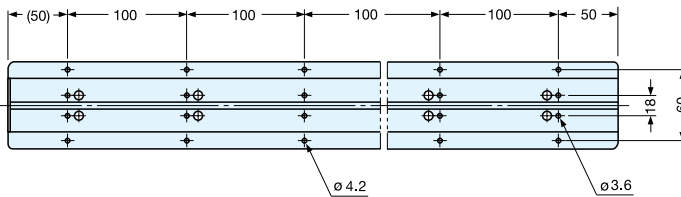
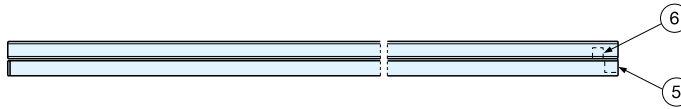
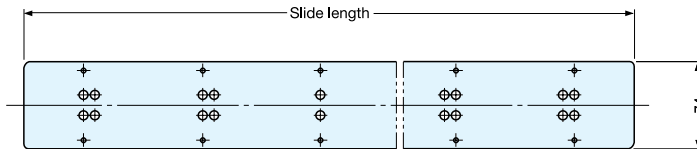
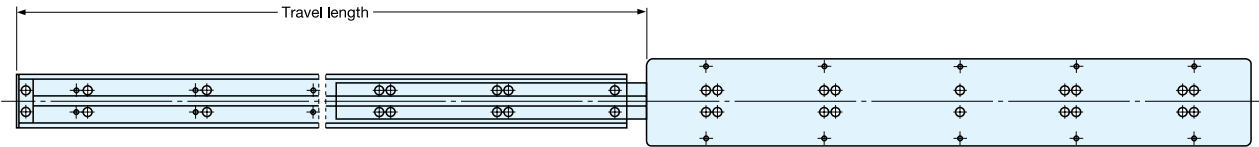
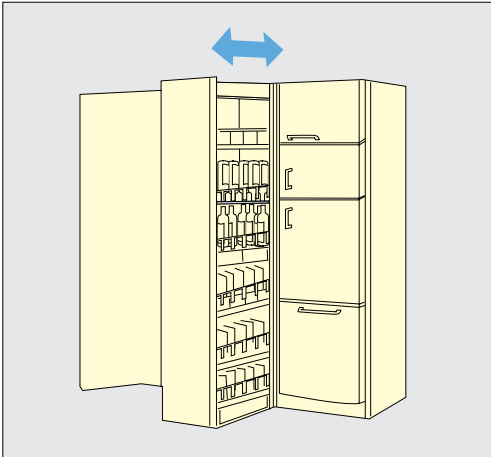


**TSS-3**

DRAWER SLIDES

STAINLESS STEEL SLIDES

- Full extension.
- Positive stop.
- Non-handed.
- Heavy duty.



25.4mm=1"

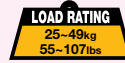
No.	Part Name	Material
①	Outer Rail	304 Stainless Steel
②	Inner Rail	
③	Retainer	Polyamide
④	End Stopper	
⑤	Outer Guide	Polyacetal
⑥	Inner Guide	
⑦	Plate	304 Stainless Steel
⑧	Large Balls	Steel
⑨	Small Balls	

Item No.	Slide Length	Travel Length	# of Holes	Load Rating (kg/pair)	Weight (g)	Box (pcs)
TSS-3-300	300 (11-13/16")	336 (13-15/64")	6	95 (209 lbs)	1380	4
TSS-3-400	400 ( 15-3/4" )	436 (11-11/64")	8	90 (198 lbs)	1860	
TSS-3-500	500 (19-11/16")	536 (21-7/64")	10	85 (187 lbs)	2390	
TSS-3-600	600 ( 23-5/8" )	636 (25-3/64")	12	80 (176 lbs)	2880	
TSS-3-800	800 ( 31-1/2" )	836 (32-29/32")	16	65 (143 lbs)	3790	
TSS-3-1000	1000 ( 39-3/8" )	1036 (40-25/32")	20	50 (110 lbs)	4710	





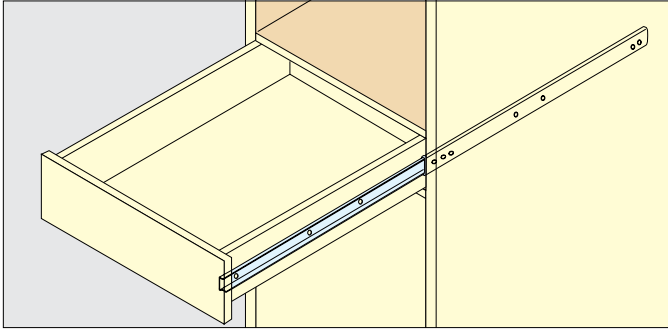
# 3/4 EXTENSION SLIDE



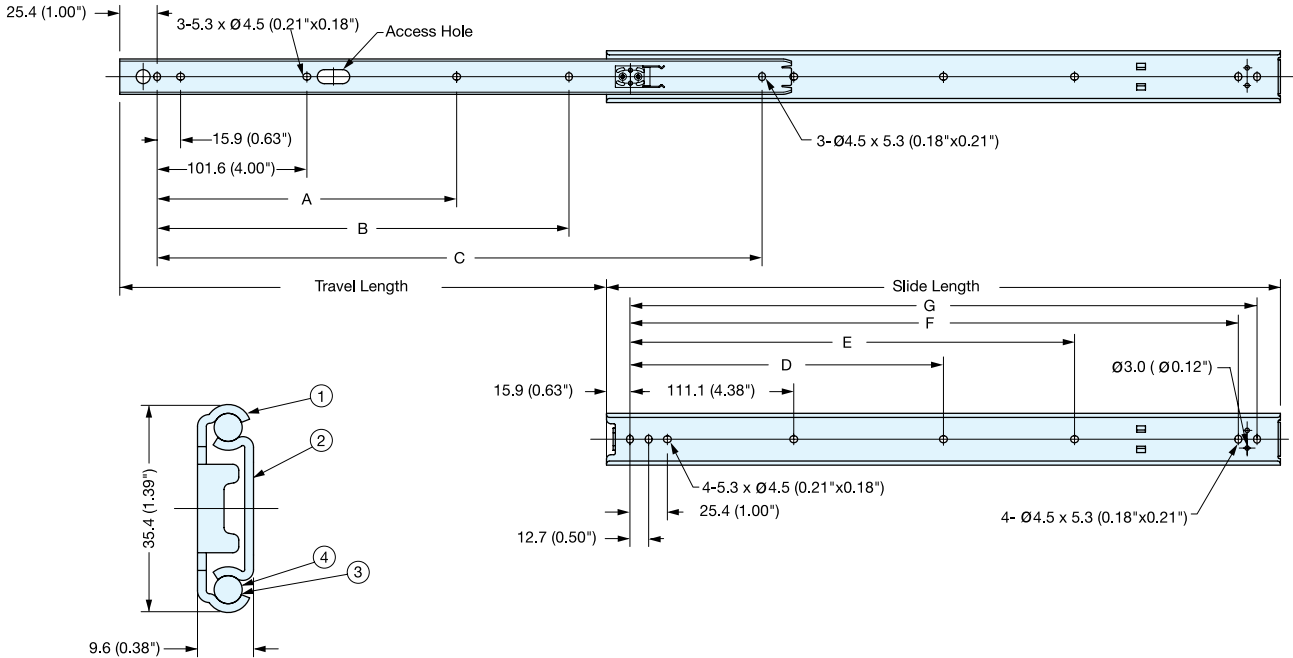
# ESR-13

DRAWER SLIDES

STAINLESS STEEL SLIDES



- 3/4 extension.
  - Positive stop.
  - Positive catch.
  - Non-handed.
- \* Mount with M4 or #8 Binding, Pan, or Truss head screws.

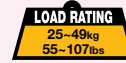


25.4mm=1"

No.	Part Name	Material
①	Outer Rail	304 Stainless Steel
②	Inner Rail	
③	Retainer	
④	Balls	

Item No.	Slide Length	Travel Length	A	B	C	D	E	F	G	# of Holes		Load Rating (kg/pair)	Weight (g)	Box (pcs)
										Inner Rail	Outer Rail			
ESR-13-12	304.8 (12")	228.6 (9")	-	177.8	258.0	-	149.2	260.3	273.0	4	7	49 (107 lbs)	310	30
ESR-13-14	355.6 (14")	279.4 (11")	-	228.6	308.8	-	200.0	311.1	323.8	4	7	47 (103 lbs)	360	
ESR-13-16	406.4 (16")	304.8 (12")	-	254.0	359.6	-	250.8	361.9	374.6	4	7	43 (94 lbs)	410	
ESR-13-18	457.2 (18")	330.2 (13")	203.2	279.4	410.4	212.7	301.6	412.7	425.4	5	8	41 (90 lbs)	460	
ESR-13-20	508.0 (20")	381.0 (15")	228.6	330.2	461.2	238.1	352.4	463.5	476.2			37 (81 lbs)	520	
ESR-13-22	558.8 (22")	406.4 (16")	254.0	355.6	512.0	263.5	403.2	514.3	527.0	34 (74 lbs)	570			
ESR-13-24	609.6 (24")	431.8 (17")	254.0	381.0	562.8	288.9	454.0	565.1	577.8	30 (66 lbs)	620			
ESR-13-26	660.4 (26")	482.6 (19")	254.0	431.8	613.6	314.3	504.8	615.9	628.6	27 (59 lbs)	650			
ESR-13-28	711.2 (28")	508.0 (20")	279.4	457.2	664.4	339.7	555.6	666.7	679.4	25 (55 lbs)	700			

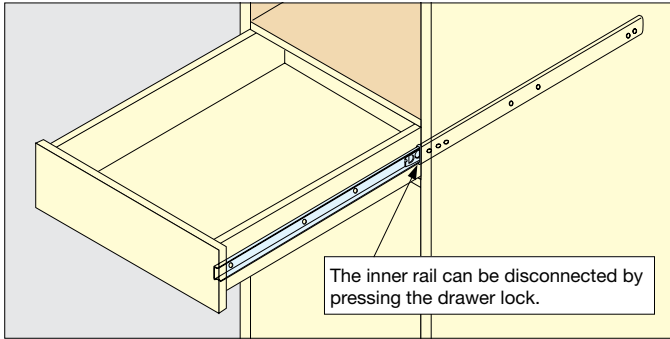
# 3/4 EXTENSION SLIDE



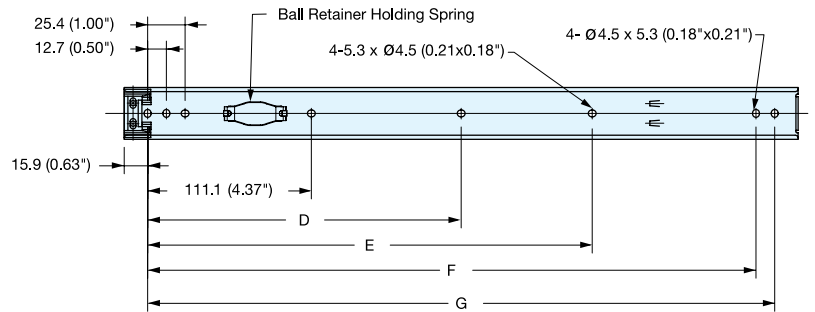
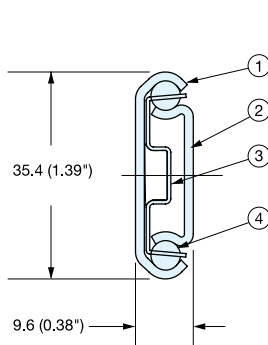
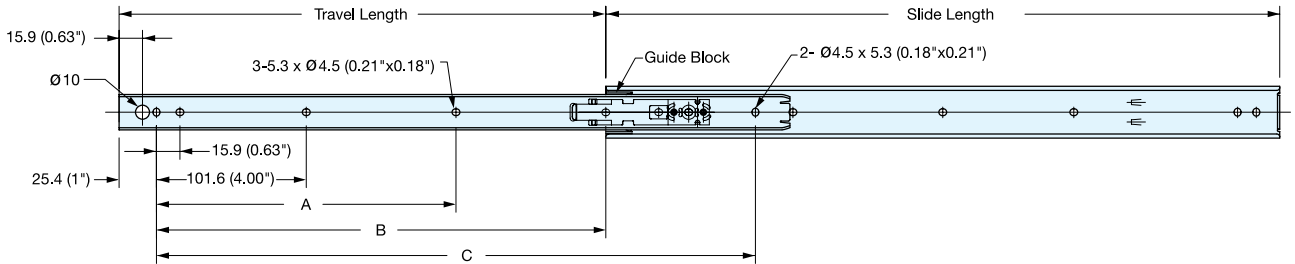
# ESR-8

DRAWER SLIDES

STAINLESS STEEL SLIDES



- 3/4 extension.
- Positive lock.
- Front disconnect.
- Non-handed.
- Mount with M4 or #8 Binding, Pan, or Truss head screws.



25.4mm=1"

No.	Part Name	Material
①	Outer Rail	304 Stainless Steel
②	Inner Rail	
③	Retainer	
④	Balls	

Item No.	Slide Length	Travel Length	A	B	C	D	E	F	G	# of Holes		Load Rating (kg/pair)	Weight (g)	Box (pcs)
										Inner Rail	Outer Rail			
ESR-8-12	304.8 (12")	228.6 (9")	-	152.4	-	-	149.2	260.3	273.0	4	7	49 (107 lbs)	310	20
ESR-8-14	355.6 (14")	279.4 (11")	-	203.2	-	-	200.0	311.1	323.8	4	7	47 (103 lbs)	370	
ESR-8-16	406.4 (16")	304.8 (12")	-	203.2	355.6	-	250.8	361.9	374.6	4	7	43 ( 94 lbs)	420	
ESR-8-18	457.2 (18")	330.2 (13")	203.2	-	406.4	212.7	301.6	412.7	425.4	5	8	41 ( 90 lbs)	470	
ESR-8-20	508.0 (20")	381.0 (15")	228.6	-	457.2	238.1	352.4	463.5	476.2			37 ( 81 lbs)	500	
ESR-8-22	558.8 (22")	406.4 (16")	254.0	-	508.0	263.5	403.2	514.3	527.0			34 ( 74 lbs)	550	
ESR-8-24	609.6 (24")	431.8 (17")	279.4	-	558.8	288.9	454.0	565.1	577.8			30 ( 66 lbs)	600	
ESR-8-26	660.4 (26")	482.6 (19")	304.8	-	609.6	314.3	504.8	615.9	628.6			27 ( 59 lbs)	670	
ESR-8-28	711.2 (28")	508.0 (20")	330.2	-	660.4	339.7	555.6	666.7	679.4			25 ( 55 lbs)	680	

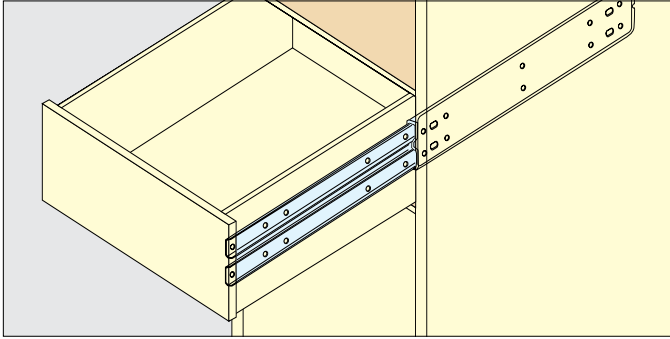
# 3/4 EXTENSION SLIDE



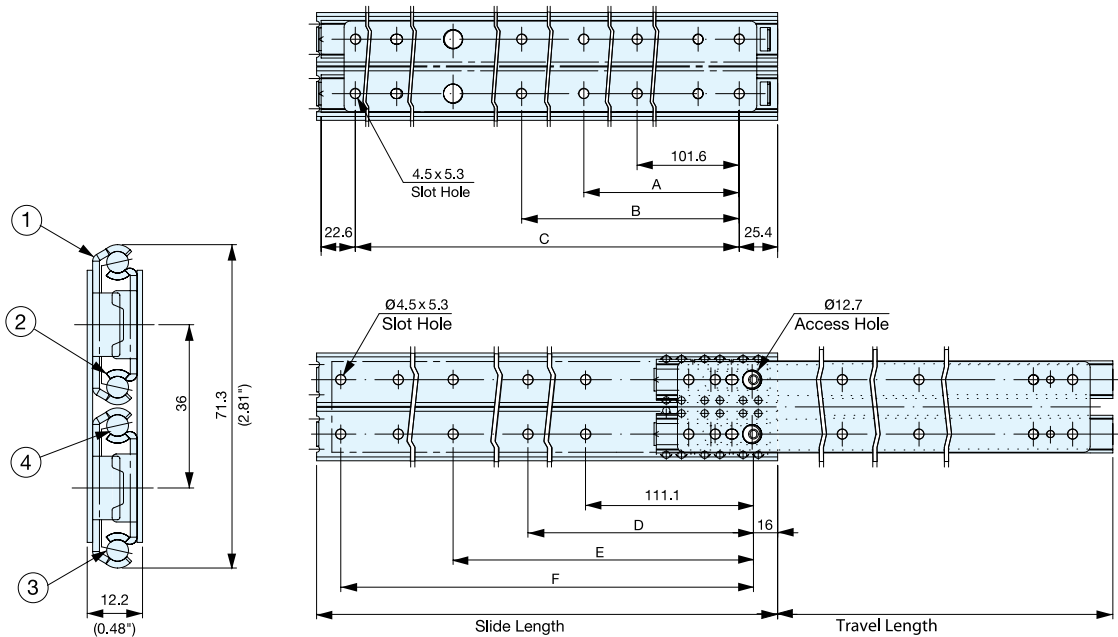
# ESR-5

DRAWER SLIDES

STAINLESS STEEL SLIDES



- 3/4 extension.
- Positive stop.
- Non-handed.
- Heavy duty.
- \* Mount with M4 or #8 Binding, Pan, or Truss head screws.



25.4mm=1"

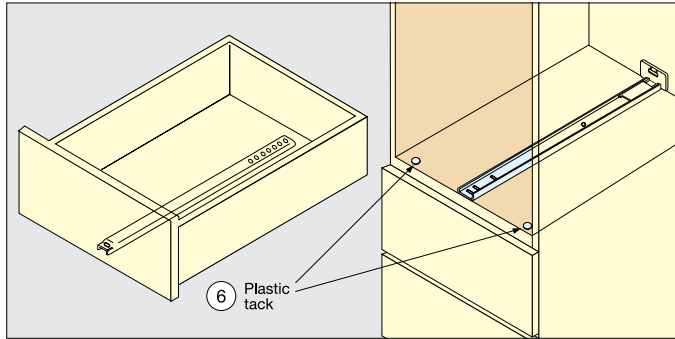
No.	Part Name	Material
①	Outer Rail	304 Stainless Steel
②	Inner Rail	
③	Retainer	
④	Balls	

Item No.	Slide Length	Travel Length	A	B	C	D	E	F	# of Holes		Load Rating (kg/pair)	Weight (g)	Box (pcs)
									Inner Rail	Outer Rail			
ESR-5-12	304.8 (12")	221.8 ( 8-47/64")	-	152.4	254.0	-	149.2	273.0	8		114 (251 lbs)	920	12
ESR-5-14	355.6 (14")	259.9 (10-15/64")	-	203.2	304.8	-	200.0	323.8			109 (240 lbs)	1090	
ESR-5-16	406.4 (16")	298.0 (11-47/64")	-	254.0	355.6	-	250.8	374.6			104 (229 lbs)	1250	
ESR-5-18	457.2 (18")	348.8 (13-47/64")	203.2	304.8	406.4	212.7	301.6	425.4	6	10	102 (224 lbs)	1500	
ESR-5-20	508.0 (20")	361.5 (14-15/64")	228.6	355.6	457.2	238.1	352.4	476.2			99 (218 lbs)	1670	
ESR-5-22	558.8 (22")	425.0 (16-47/64")	254.0	406.4	508.0	263.5	403.2	527.0			94 (207 lbs)	1750	
ESR-5-24	609.6 (24")	450.4 (17-47/64")	279.4	457.2	558.8	288.9	454.0	577.8			89 (196 lbs)	1920	
ESR-5-26	660.4 (26")	463.1 (18-15/64")	304.8	508.0	609.6	314.3	504.8	628.6			86 (189 lbs)	2090	
ESR-5-28	711.2 (28")	501.2 (19-47/64")	330.2	558.8	660.4	339.7	555.6	679.4			80 (176 lbs)	2250	

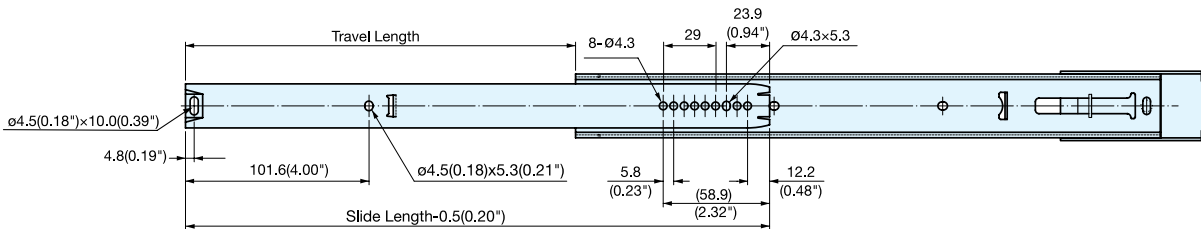
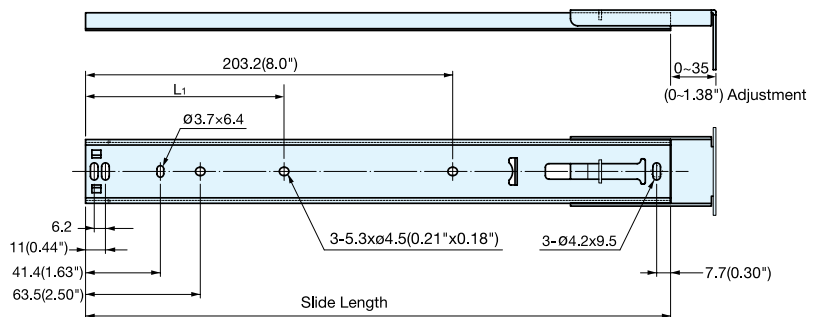
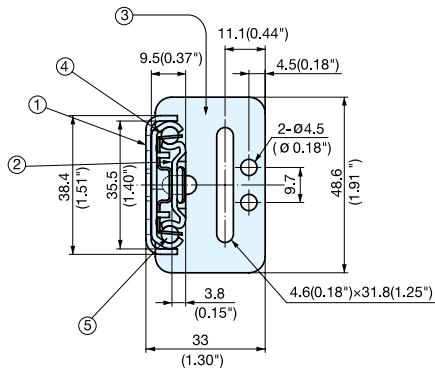
# 3/4 EXTENSION SLIDE



# ESR-2



- Under carriage mounting with bracket.
- 3/4 extension.
- Front disconnect.
- Friction brake stop.
- Mount with M4 or #8 Binding, Pan, or Truss head screws.
- Two plastic tacks supplied per slide.



25.4mm=1"

No.	Part Name	Material
①	Outer Rail	304 Stainless Steel
②	Inner Rail	
③	Bracket	
④	Retainer	
⑤	Balls	
⑥	Plastic Tack	Polyamide

Item No.	Slide Length	Travel Length	L <sub>1</sub>	# of Holes		Load Rating (kg/pc)	Weight (g)	Box (pcs)
				Inner Rail	Outer Rail			
ESR-2-12	323.8 (12-3/4")	215.9 (8-1/2")	109.9	11	7	8.0 (18 lbs)	340	20
ESR-2-14	374.6 (14-3/4")	266.7 (10-1/2")	160.7			7.5 (17 lbs)	400	
ESR-2-16	425.4 (16-3/4")	304.8 ( 12" )	-			7.0 (15 lbs)	450	
ESR-2-18	476.2 (18-3/4")	317.5 (12-1/2")	262.3		7	6.5 (14 lbs)	530	
ESR-2-20	527.0 (20-3/4")	368.3 (14-1/2")	313.1			6.0 (13 lbs)	630	
ESR-2-22	577.8 (22-3/4")	419.1 (16-1/2")	363.9			5.5 (12 lbs)	690	
ESR-2-24	628.6 (24-3/4")	444.5 (17-1/2")	414.7			5.0 (11 lbs)	720	
ESR-2-26	679.4 (26-3/4")	495.3 (19-1/2")	465.5					

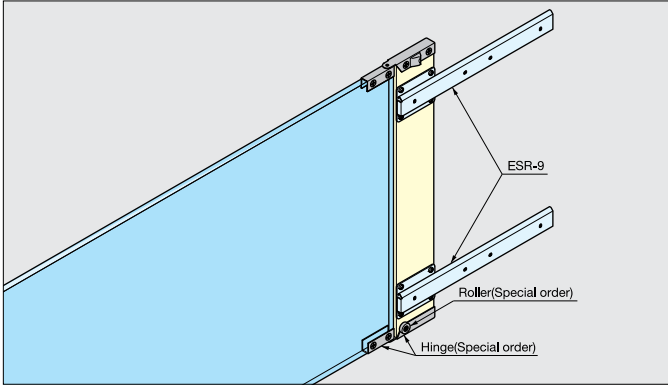
# LINEAR BALL BEARING GUIDE



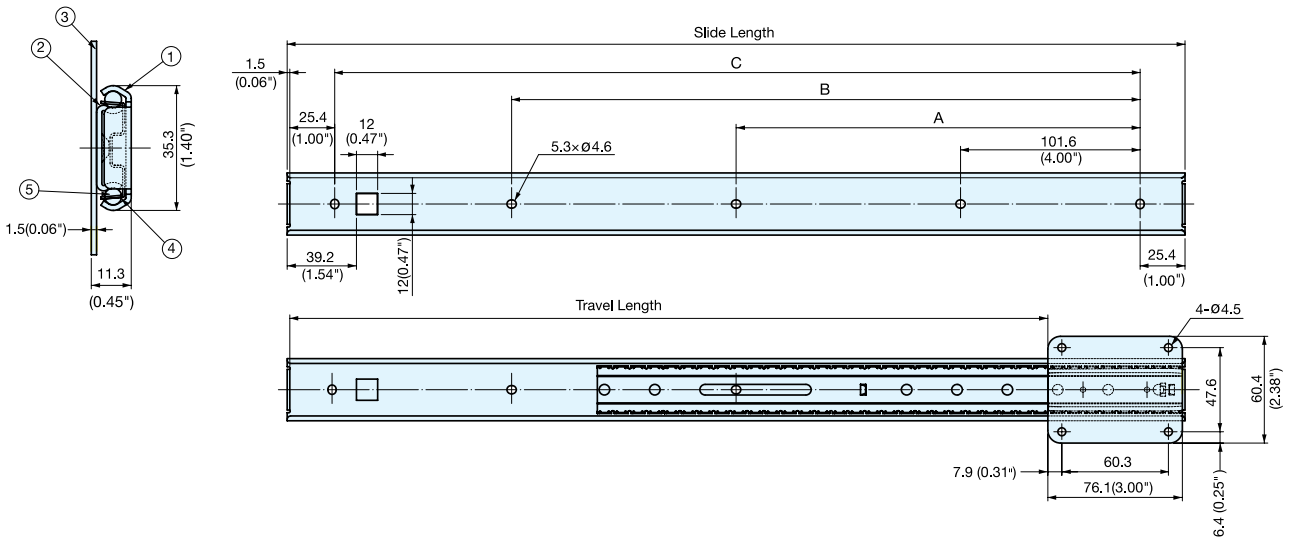
# ESR-9

DRAWER SLIDES

STAINLESS STEEL SLIDES



- Mounting plate attached type.
- \* Mount with M4 or #8 Binding, Pan, or Truss head screws.



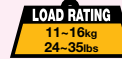
25.4mm=1"

No.	Part Name	Material
①	Outer Rail	304 Stainless Steel
②	Inner Rail	
③	Mounting Plate	
④	Retainer	
⑤	Balls	

Item No.	Slide Length	Travel Length	A	B	C	# of Holes Outer Rail	Load Rating (kg/pair)	Weight (g)	Box (pcs)
ESR-9-12	304.8 (12")	225.7 ( 8-7/8" )	-	152.4	254.0	4	5 (11 lbs)	290	20
ESR-9-14	355.6 (14")	276.5 (10-7/8")		203.2	304.8				
ESR-9-16	406.4 (16")	327.3 (12-7/8")		254.0	355.6				
ESR-9-18	457.2 (18")	378.1 (14-7/8")	203.2	304.8	406.4	5		390	
ESR-9-20	508.0 (20")	428.9 (16-7/8")	228.6	355.6	457.2			430	
ESR-9-22	558.8 (22")	479.7 (18-7/8")	254.0	406.4	508.0			460	
ESR-9-24	609.6 (24")	530.5 (20-7/8")	279.4	457.2	558.8			500	
ESR-9-26	660.4 (26")	581.3 (22-7/8")	304.8	508.0	609.6			530	
ESR-9-28	711.2 (28")	632.1 (24-7/8")	330.2	558.8	660.4	560			



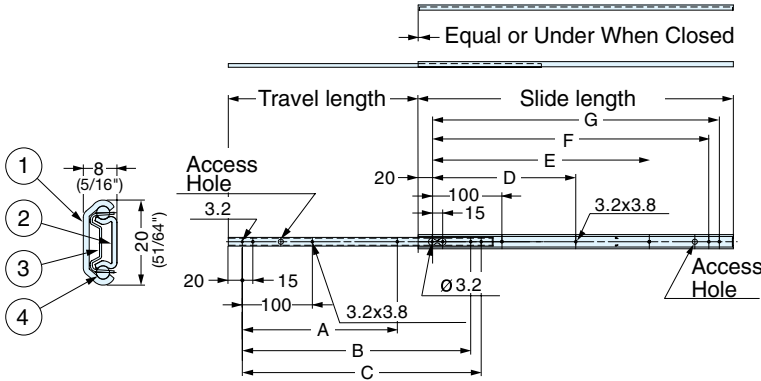
### 3/4 EXTENSION SLIDE (Low Profile)



### ESR-2021



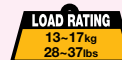
- 3/4 extension.
- Positive stop.
- Non-handed.
- Requires #4 or M3 pan head screw.



No.	Part Name	Material	Finish/Color
①	Outer Rail	304 Stainless Steel	Plain
②	Inner Rail		
③	Retainer		-
④	Balls		-

Item No.	Slide Length	Travel Length	A	B	C	D	E	F	G	Load Rating (kg/pair)	Load Rating (lbs/pair)	Weight (g/piece)	Box (pcs)
ESR-2021-200	200 ( 7-7/8" )	134 ( 5-9/32" )	-	145	160	-	-	145	160	13	28	200	100
ESR-2021-250	250 ( 9-27/32" )	184 ( 7-15/64" )	150	195	210		195	210	15	33	250		
ESR-2021-300	300 ( 11-13/16" )	224 ( 8-13/16" )	190	245	260		160	245	260	16	35	300	
ESR-2021-350	350 ( 13-25/32" )	244 ( 9-39/64" )	225	295	310		210	295	310	16	35	350	
ESR-2021-400	400 ( 15-3/4" )	294 ( 11-37/64" )	265	345	360		260	345	360	15	33	400	
ESR-2021-450	450 ( 17-23/32" )	334 ( 13-9/64" )	300	395	410		205	310	395	410	13	28	
ESR-2021-500	500 ( 19-11/16" )	384 ( 15-7/64" )	337	445	460	230	360	445	460	11	24	500	

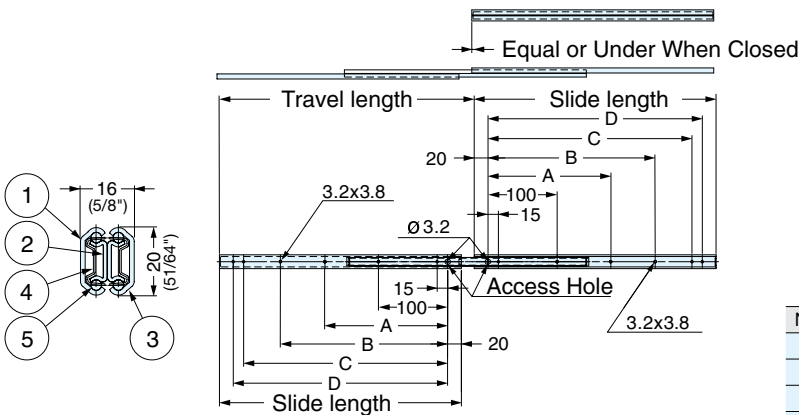
### FULL EXTENSION SLIDE (Low Profile)



### ESR-2031



- Full extension.
- Positive stop.
- Non-handed.
- Requires #4 or M3 pan head screw.



No.	Part Name	Material	Finish/Color
①	Outer Rail	304 Stainless Steel	Plain
②	Inner Rail		
③	Retainer		-
④	Balls		-

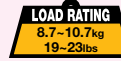
Item No.	Slide Length	Travel Length	A	B	C	D	Load Rating (kg/pair)	Load Rating (lbs/pair)	Weight (g/pair)	Box (pcs)
ESR-2031-200	200 ( 7-7/8" )	229 ( 9-1/64" )	-	-	145	160	17	37	400	96
ESR-2031-250	250 ( 9-27/32" )	269 ( 10-19/32" )		195	210	500				
ESR-2031-300	300 ( 11-13/16" )	329 ( 12-61/64" )		160	245	600				
ESR-2031-350	350 ( 13-25/32" )	369 ( 14-17/32" )		210	295	700				
ESR-2031-400	400 ( 15-3/4" )	429 ( 16-57/64" )		260	345	800				
ESR-2031-450	450 ( 17-23/32" )	469 ( 18-15/32" )		205	310	395			410	
ESR-2031-500	500 ( 19-11/16" )	529 ( 20-53/64" )	230	360	445	460	13	28	1000	



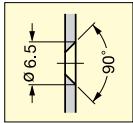
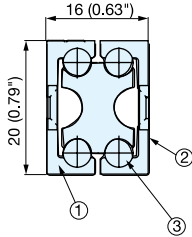
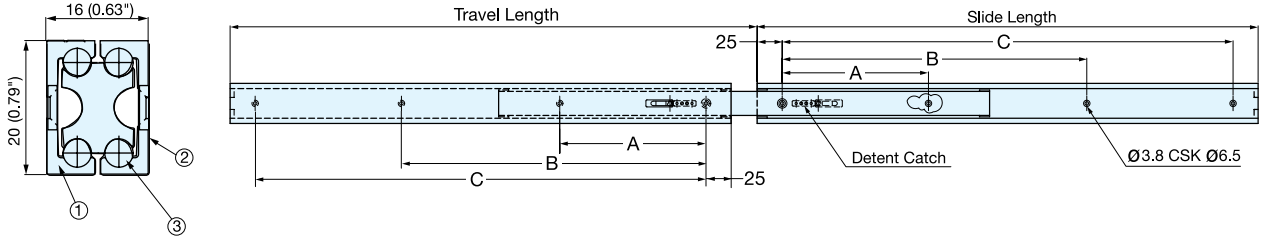




# FULL EXTENSION SLIDE (W/HOLD-OUT DETENT)



# AR3-K



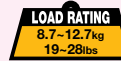
Hole Dimension (Outer Rail)

- Full extension.
- Positive stop.
- Non-handed.
- Hold-out detent.

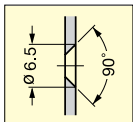
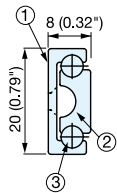
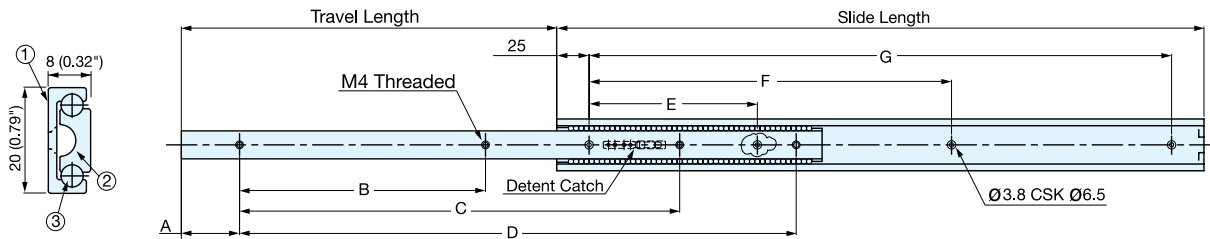
No.	Part Name	Material	Finish
①	Outer Rail	Aluminum	White Anodized
②	Inner Rail		
③	Balls	Steel	-

Item No.	Slide Length	Travel Length	A	B	C	Load Rating (kg/pair)	Weight (g)	Box (pcs)	
AR3-K200	200 ( 7-7/8" )	214 ( 8-53/64" )	130	-	-	10.7 (23 lbs)	133	30	
AR3-K300	300 (11-13/16")	314 (12-23/64")		250	-	-	10.2 (22 lbs)		199
AR3-K400	400 ( 15-3/4" )	414 (16-19/64")		350	-	-	9.2 (20 lbs)		265
AR3-K500	500 (19-11/16")	514 (20-15/64")	450	-	-	8.7 (19 lbs)	330	20	

# 3/4 EXTENSION SLIDE (W/HOLD-OUT DETENT)



# AR2-K



Hole Dimension (Outer Rail)

- 3/4 extension.
- Positive stop.
- Non-handed.
- Hold-out detent.

No.	Part Name	Material	Finish
①	Outer Rail	Aluminum	White Anodized
②	Inner Rail		
③	Balls	Steel	-

Item No.	Slide Length	Travel Length	A	B	C	D	E	F	G	Load Rating (kg/pair)	Weight (g)	Box (pcs)
AR2-K200	200 ( 7-7/8" )	110 ( 4-7/16" )	25	60	160	-	150	-	-	12.7 (28 lbs)	68	50
AR2-K300	300 (11-13/16")	170 ( 6-11/16" )	45	100	230	-	130	250	-	11.2 (25 lbs)	81	
AR2-K400	400 ( 15-3/4" )	230 ( 9-1/16" )	45	150	270	330	130	280	350	9.7 (21 lbs)	134	
AR2-K500	500 (19-11/16")	290 (11-27/64")	45	190	340	430	130	280	450	8.7 (19 lbs)	166	

# (ULTRA) MINI GUIDE BLOCK & RAIL



## MRS-15, MR-15CS

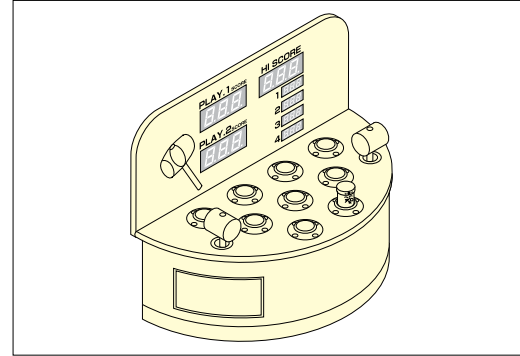


MR-15CS



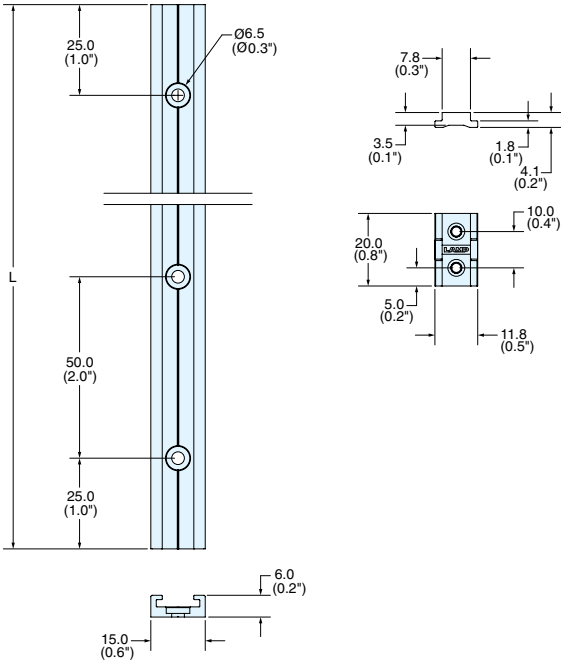
MRS-15

- Perfect for small stroke application.
- No grease needed.
- Block and rail sold separately



DRAWER SLIDES

(ULTRA) MINI GUIDE BLOCK & RAIL



\*Both ends of rail are not anodized.

No.	Material	Finish
①	Polyethylene (UL 94HB)	Grey
②	304 Stainless Steel	Plain
③	Aluminum	Anodized

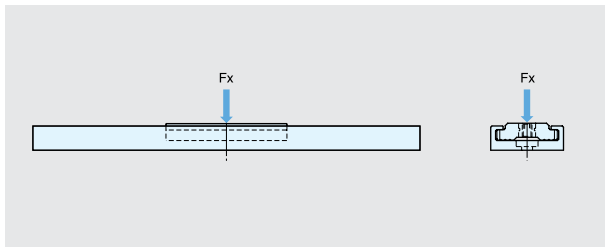
■ Block

Item No.	Weight (g)	Box (pcs)	Carton(pcs)
MR-15CS	1	150	1000

■ Rail

Item No.	L	N	Weight (g)	Box (pcs)
MRS15-100	100 (3-15/16")	2	14.5	200
MRS15-200	200 ( 7-7/8" )	4	29.0	200
MRS15-400	400 ( 15-3/4" )	8	58.0	100
MRS15-800	800 ( 31-1/2" )	16	117.0	80

### MRS 15, MR-15CS LOAD RATING INFORMATION



Horizontal Static Load Fx	10.2 kgf (22.48 lbs)
Vertical Static Load Fy	3.0 kgf (6.61 lbs)

◆ Reduction Factor

Certain reduction needs to be applied depending on application or environment.  
 Low speed/Low operation frequency = 70% to 100% of Load Rating  
 Moderate speed/High operation frequency = 35% to 65% of Load Rating  
 High operation frequency with Vibration & Shocks = 10% to 30% of Load Rating

# MINI GUIDE BLOCK & RAIL



# MRS20, MR-20CS

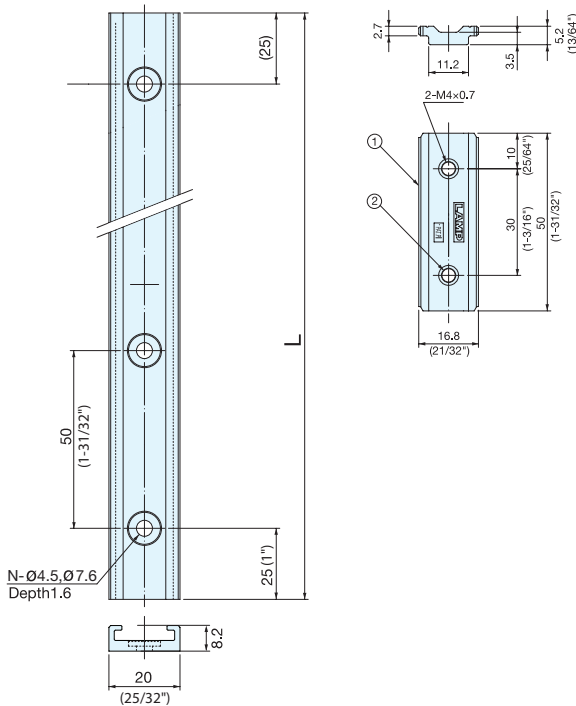
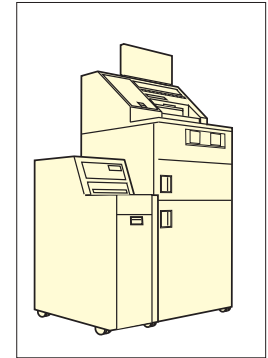
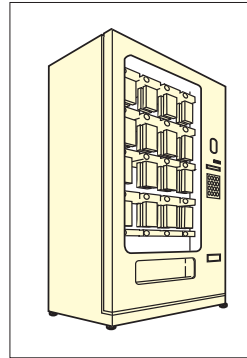


MR-20CS



MRS-20

- Perfect for small stroke application.
- No grease needed.



Material	Finish
Aluminum	Anodized

\*Both ends are not anodized.

No.	Material	Finish
①	Polyethylene (UL 94HB)	Grey
②	304 Stainless Steel	Plain

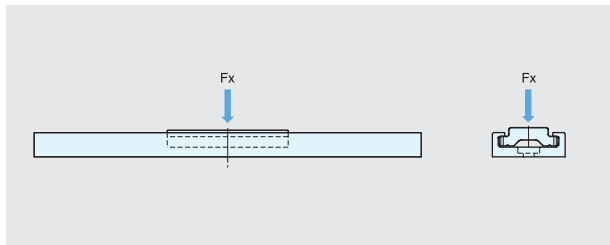
### Block

Item No.	Weight (g)	Box (pcs)	Carton (pcs)
MR-20CS	7	50	1000

### Rail 25.4mm=1"

Item No.	L	N	Weight (g)	Box (pcs)
MRS20-100	100 ( 3-15/16" )	2	20	200
MRS20-200	200 ( 7-7/8" )	4	40	
MRS20-400	400 ( 15-3/4" )	8	80	100
MRS20-800	800 ( 31-1/2" )	16	160	80
MRS20-2000	2000 ( 78-47/64" )	40	400	30

## MRS 20, MR-20CS LOAD RATING INFORMATION



Horizontal Static Load Fx	30.6 kgf (67.5 lbs)
Vertical Static Load Fy	17.8 kgf (39.2 lbs)

### ◆ Reduction Factor

Certain reduction needs to be applied depending on application or environment.  
 Low speed/Low operation frequency=70% to 100% of Load Rating  
 Moderate speed/High operation frequency=35% to 65% of Load Rating  
 High operation frequency with Vibration & Shocks=10% to 30% of Load Rating

# GUIDE BLOCK & RAIL



## MRS30, MR-50C

DRAWER SLIDES

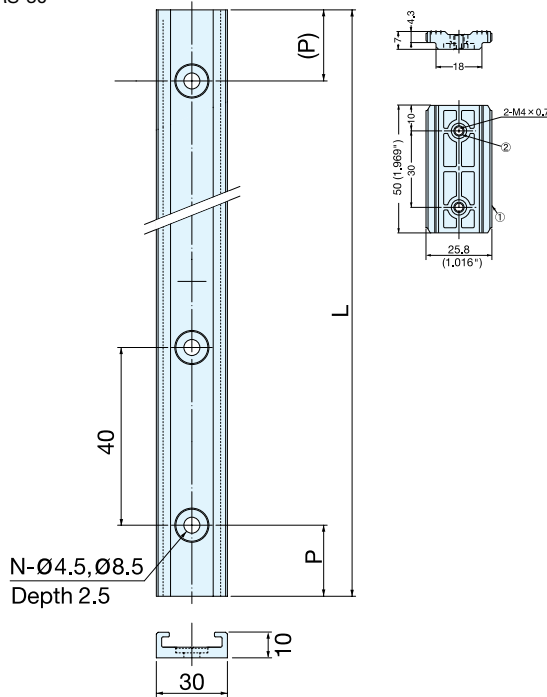
GUIDE BLOCKS & RAILS



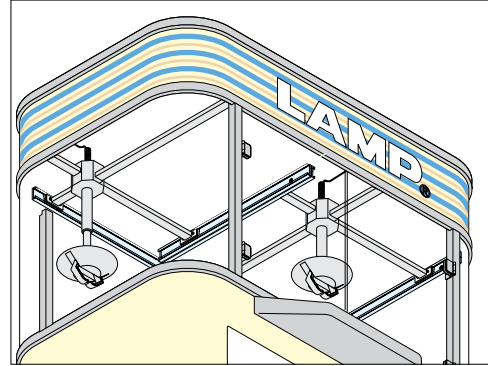
MR-50C



MRS-30



- Perfect for small stroke application.
- No grease needed.



Material	Finish
Aluminum	Anodized

\*Both ends are not anodized.

No.	Material	Finish
①	Polyethylene (UL 94HB)	Grey
②	304 Stainless Steel	Plain

■ Block

Item No.	Weight (g)	Box (pcs)	Carton (pcs)
MR-50C	7	50	1000

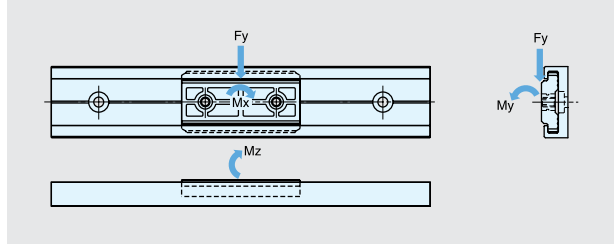
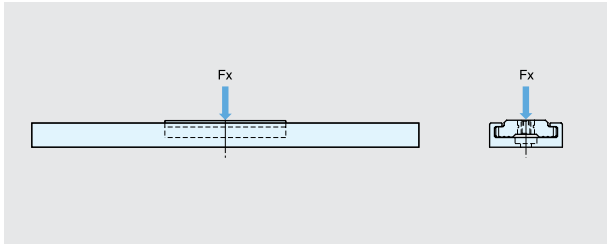
■ Rail

Item No.	L	P	N	Weight (g)	25.4mm=1"	
					Box (pcs)	Carton (pcs)
MRS30-100	100 ( 3-15/16" )	20	2	20	200	
MRS30-200	200 ( 7-7/8" )		4	40		
MRS30-400	400 ( 15-3/4" )		8	80	100	
MRS30-800	800 ( 31-1/2" )		16	160	80	
MRS30-2000	2000 ( 78-47/64" )		40	400	30	

### MRS 30, MR-50C LOAD RATING INFORMATION

Dynamic Friction Coefficient:1

Maximum PV (Pressure (kgf-mm<sup>2</sup>) x Velocity (m/min.))=3.06



Horizontal Static Load Fx	26.0 kgf (57.2 lbs)
Vertical Static Load Fy	15.0 kgf (33.0 lbs)
Vertical Dynamic Load Mx	25.0 kgf-cm (21.6 lbs-in)
Horizontal Dynamic Load My	12.5 kgf (10.8 lbs-in)
Horizontal Dynamic Load Mz	12.5 kgf (10.8 lbs-in)

◆ Reduction Factor

Certain reduction needs to be applied depending on application or environment.  
 Low speed/Low operation frequency=70% to 100% of Load Rating  
 Moderate speed/High operation frequency=35% to 65% of Load Rating  
 High operation frequency with Vibration & Shocks=10% to 30% of Load Rating

# LINEAR ROLLER GUIDE SYSTEM (OVERVIEW)

# LGB30 SYSTEM



- Carriage with built-in bearing provides smooth movement.
- High durability and silence movement.



GUIDE TRACK (LGB30)

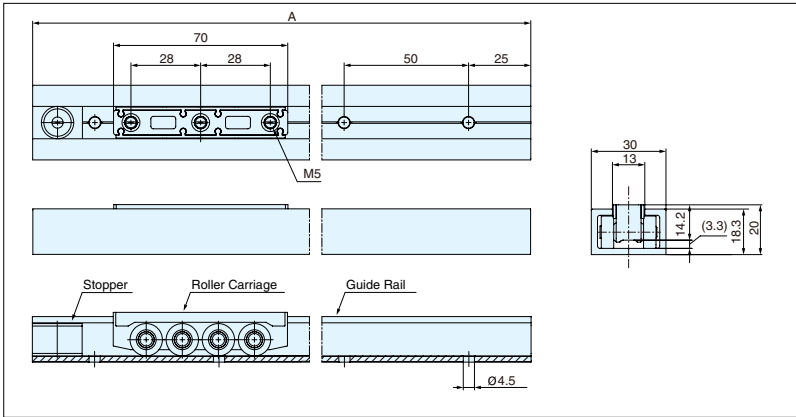


ROLLER CARRIAGE (LGB-30CM)



STOPPER (LGB30-ST)

## ■ INSTALLATION : Guide rail, Roller Carriage, Stopper



GUIDE TRACK (LGB30)



ROLLER CARRIAGE (LGB-30CM)

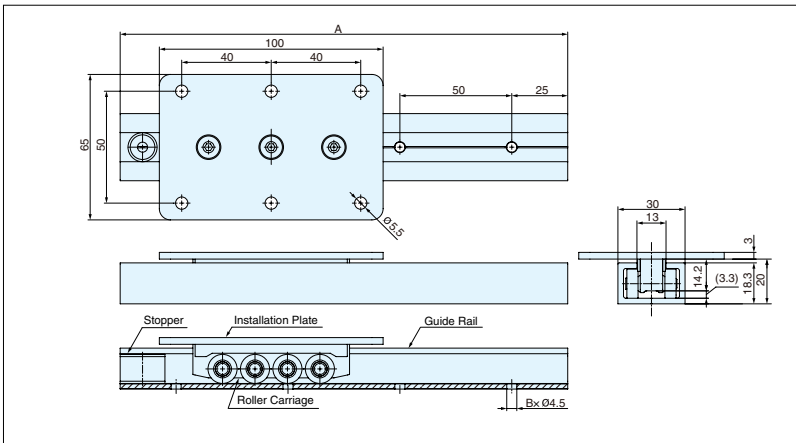


STOPPER (LGB30-ST)



INSTALLATION PLATE (LGB30-P65-100)

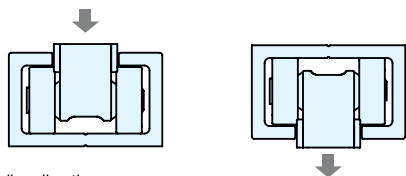
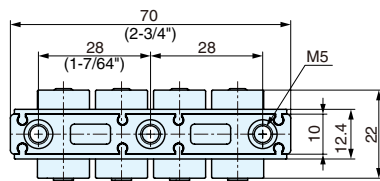
## ■ INSTALLATION : Guide rail, Roller Carriage, Stopper, Installation Plate



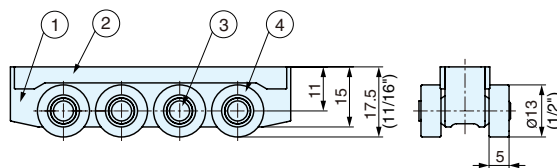
# ROLLER CARRIAGE

# LGB-30CM

- Slide roller carriage with bearing for smooth slide operation.
- To be used in the combination of LGB30 guide rail.



Loading direction  
Horizontal direction use only

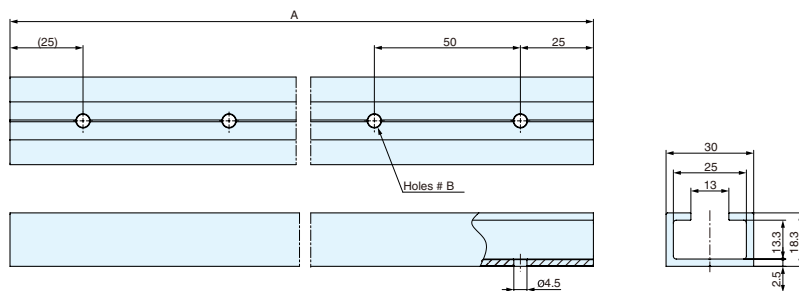


No.	Part Name	Material	Finish
①	Body	Zinc Alloy	Chrome
②	Plate	Polyethylene	Black
③	Shaft	304 Stainless Steel	Plain
④	Roller	Steel/Polyacetal	Black

Item No.	Load Capacity (kgf)	Weight (g)
LGB-30CM	30 (66 lbs)	76

# GUIDE RAIL

# LGB30



Item No.	A	B	Weight (g)
LGB30-400	400 ( 15-3/4" )	8	195
LGB30-800	800 ( 31-1/2" )	16	390
LGB30-2000	2000 (78-47/64")	40	875

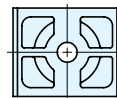
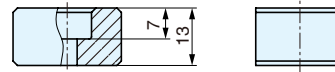
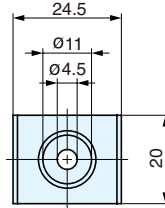
Material	Finish
Aluminum	Anodized



**STOPPER**

**LGB30-ST**

- Stopper for LGB-30CM Roller Carriage.



Item No.	Weight (g)	Material	Finish
LGB30-ST	5.6	Polyacetal	Black

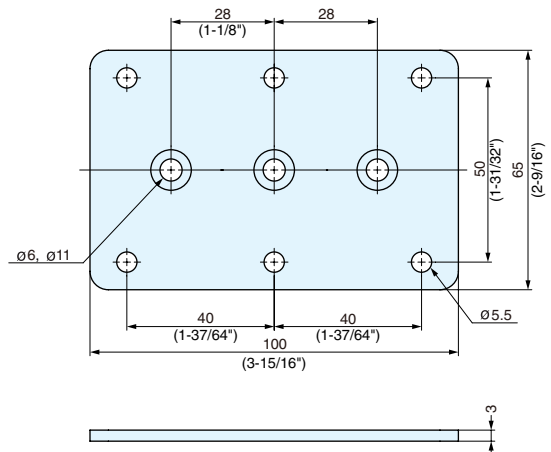
**INSTALLATION PLATE**

**LGB30-P65-100**

- Installation to LGB-30CM roller carriage for any applications.



Installation with roller carriage and guide rail.



Item No.	Weight (g)	Material	Finish
LGB30-P65-100	137	304 Stainless Steel	Polished