

PANEL MOUNTING SYSTEMS



FASTMOUNT®
PANEL FASTENERS

FASTMOUNT®

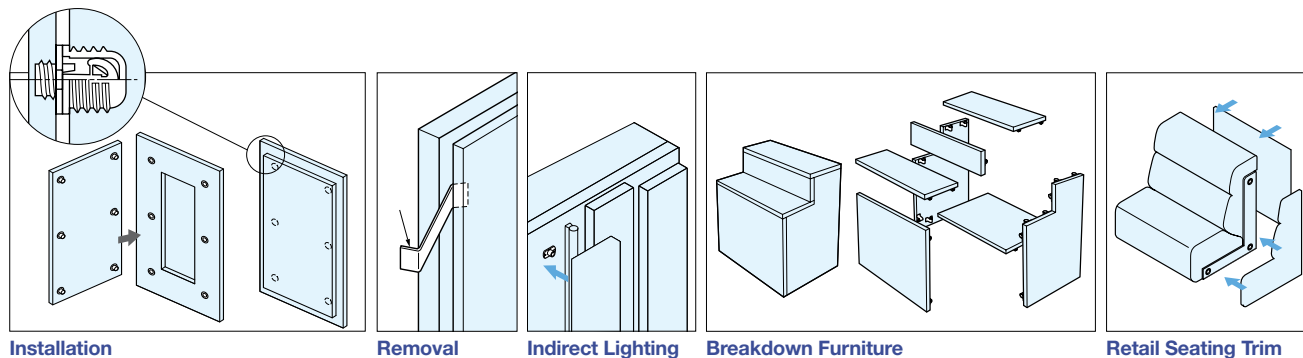


Picture	Item No.	Page
	METAL RANGE	294
	VERY LOW PROFILE (UL® V-O)	295
	LOW PROFILE	296
	STANDARD PROFILE	297
	PANEL CONTROL	299
	INSTALLATION TOOLS	301

PANEL FASTENERS

Picture	Item No.	Page
	151F, 251F	302
	152F, 252F	303
	155F, 255F	304
	149 SERIES	305
	LC-PK32, LC-PL32	306
	SX-48	307

PRODUCT APPLICATIONS



Installation

Removal

Indirect Lighting

Breakdown Furniture

Retail Seating Trim

Which Clips Should I Use?

Fastmount® clips vary in size, shape, and function for use in various applications. "Profile" refers to the thickness of the support substrate; the thickness and material of the support substrate will determine the type of clips best suited to your application:

Standard Profile Range Series

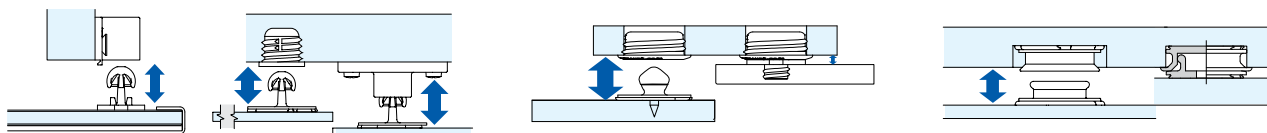
- Self-tapping, surface mount, and side surface mount clip options available.
- Self-tapping clips can be used in applications where the support substrate is 9/16" or thicker.
- Surface mount clips can be used with thinner support materials such as steel frames.
- For use with wall and ceiling panels.
- Clip option for curved panels available.

Low Profile Range Series

- For applications where the support substrate is 3/8" or thicker.
- Clip option for drywall mounting available (wall panels only).

Very Low Profile Range Series

- Can be surface or recessed mounted
- No minimum substrate thickness.
- No special tools required for installation.



Clip Selection Guide

SUBSTRATE TYPE	PANEL TYPE						
	Plywood	MDF	Particle Board	Acoustic Panel	Honeycomb	Fibrous Cement Board	Exterior Panels
Steel frames	PC-SF1 + PC-M1B PC-SF1 + PC-M2H PC-SF1 + PC-SM2 PC-SF1 + PC-SM2H	PC-SF1 + PC-M1B PC-SF1 + PC-SM2H	PC-SF1 + PC-M1B PC-SF1 + PC-SM2H + Glue Thread	PC-SF1 + PC-SM2	PC-SF1 + PC-SM2	N/A	N/A
Wood frames	PC-F1A + PC-VM1 PC-F1A + PC-M2H PC-F1A + PC-SM2H	PC-F1A + PC-VM1 PC-F1A + PC-M2H	PC-F1A + PC-VM1 PC-F1A + PC-M2H	LP-F8 + LP-SM8A	LP-F8 + LP-SM8A	N/A	N/A
Block wall with wood frames	PC-F1A + PC-M2H PC-F1A + PC-SM2 PC-F1A + PC-SM2H	PC-F1A + PC-M2H PC-F1A + PC-SM2 PC-F1A + PC-SM2H	PC-F1A + PC-M2H PC-F1A + PC-SM2 PC-F1A + PC-SM2H	Must use Wood frames + LP-F8 + LP-SM8A	Must use Wood frames + LP-F8 + LP-SM8A8	N/A	N/A
Drywall	LP-DF8 + LP-M8A LP-DF8 + LP-SM8A	LP-DF8 + LP-M8A LP-DF8 + LP-SM8A	LP-DF8 + LP-M8A LP-DF8 + LP-SM8A	LP-DF8 + LP-SM8A with HMA (hot glue)	LP-DF8 + LP-SM8A with epoxy glue	N/A	N/A
Plywood, MDF	PC-F1A + PC-M1B PC-F1A + PC-M2H PC-F1A + PC-SM2 PC-F1A + PC-SM2H	PC-F1A + PC-M1B PC-F1A + PC-M2H PC-F1A + PC-SM2 PC-F1A + PC-SM2H	PC-F1A + PC-M1B PC-F1A + PC-M2H PC-F1A + PC-SM2 PC-F1A + PC-SM2H	LP-F8 + LP-SM8A	LP-F8 + LP-SM8A with epoxy glue	N/A	N/A


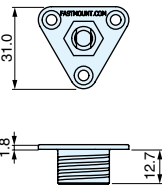
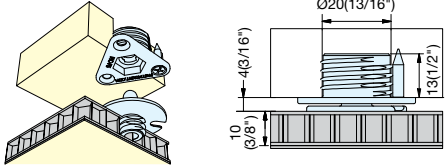

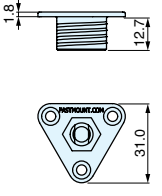
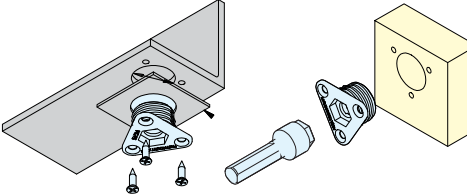
This Clip Selection Guide should be used as a general guide only. Please contact customer service for more detailed advice if required. For overhead panels Fastmount® strongly recommends a trial sample be made to prove compatibility of our systems with the panels and substrates in your project.


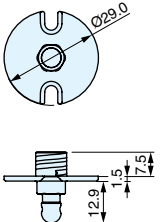
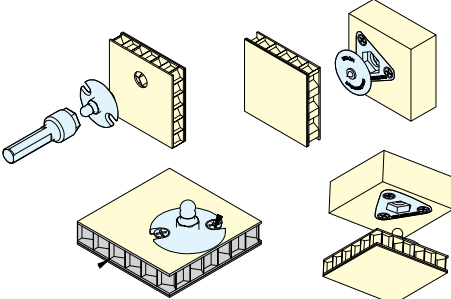
METAL RANGE CLIP SERIES



For applications with heavy panels or heat resistance requirements. These metal based clips are specifically designed to withstand high temperatures and to provide acoustic and vibration isolation. The self-centering design allows for tolerance and panel flexing as well as the ability to be heavy load bearing.

FASTMOUNT® - METAL RANGE PANEL MOUNTING SYSTEM

Female Clips			
Item No.	Dimensions	Diagram	Description
MC-F5 			11LB (5KG) MAXI METAL SELF TAPPING Affix with #5 countersunk screws. Material: Zinc Alloy Box: 10 Carton: 100 Installation tool: MC-IT5 (Sold separately)
MC-F10 			22LB (10KG) MAXI METAL SELF TAPPING Affix with #5 countersunk screws. Material: Zinc Alloy Box: 10 Carton: 100 Installation tool: MC-IT5 (Sold separately)

Male Clips			
Item No.	Dimensions	Diagram	Description
MC-M5 			SELF TAPPING Affix with screws. Pull Out Force: 11 lbs (5 kg) using with MC-F5 22 lbs (10 kg) using with MC-F10 Material: Zinc Alloy Box: 10 Carton: 100 Installation tool: MC-IT5 (Sold separately) Fits into: MC-F5, MC-F10 Mounts into: 3/8" (10 mm) hole

Accessories



MC-CP5 METAL CLIP CENTER POINT

Center point fits MC-F5 metal clip. Use to mark hole center in panel, for correct clip alignment. Has stainless steel tip for marking panel.

Installation Tools: Metal Clip Series



CT-09 PANEL DRILL 10MM FORSTNER TYPE

Use with Standard Profile, Low Profile and Maxi Metal Range. To drill blind holes in the back of panels.



MC-IT5 METAL CLIPS MC-F5 & MC-M5

For installation of self tapping male MC-M5H, can also be used for MC-F5 into plywood or similar. Use battery drill with correct torque setting.



CT-05 PANEL REMOVAL TOOL




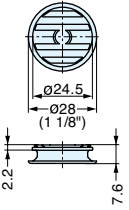
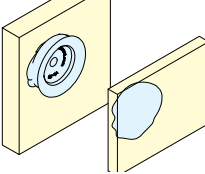

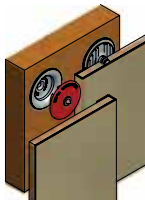
Stainless steel tool for removing covered (upholstered) panels. Do not use with painted panels.



VERY LOW PROFILE RANGE SERIES



The VL-03 is made of fire grade plastic that is V-O rated by the Underwriters Laboratory (UL®). Perfect for mounting removable thin wall panels and facings. This clip set requires less depth compared to other Fastmount® ranges. No special installation tools are required. The clip set may be adhesive and/or screw fixed. Ideal for mounting panels where no drilling is preferred. Typical applications include wall panels, headboards and inspection panels.

VL-03/VL-03H		Item No.	Dimensions	Diagram Spacing Options	Description
VL-03 (Standard) 	Female Clip 	VL-03H (Heavy Duty) 		Surface Mount 	CLIP SET For surface or recessed mounting. Can be screw or glue fixed. No special tools required. Pull Out Force: VL-03: 11 lbs (5 kg) per clip VL-03H: 22 lbs (10 kg) per clip Material: Grey acetal / Black nylon Box: 100 Carton: 500 Supplied with: Stainless steel screw (VL-SS3)
	Male Clip 			Recess Mount 	

Accessories



VL-CP3 VERY LOW PROFILE CENTER POINT

Use to mark hole center in panel for correct clip alignment. Has stainless steel tip for marking panel or frame.

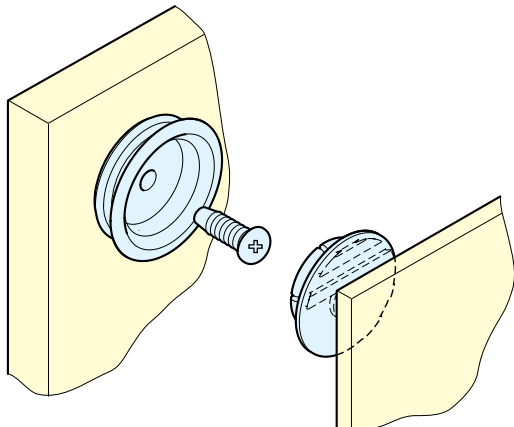
Installation: Female & Male Clips



VL-SS3 STAINLESS STEEL SCREW

Custom type 303 stainless steel screw for fixing Male Chip into panels down to 1/4" (5.5 mm) thick.

Stainless Steel Screw Installation


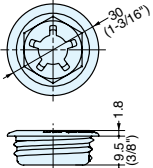
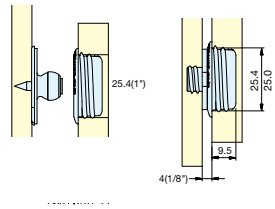

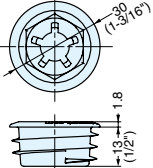
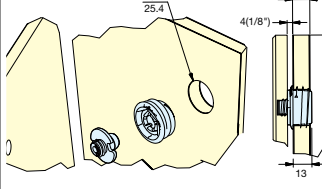

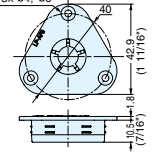
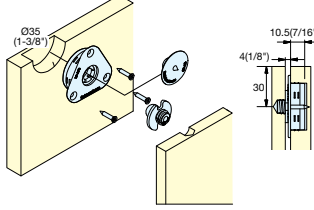



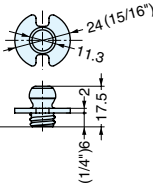
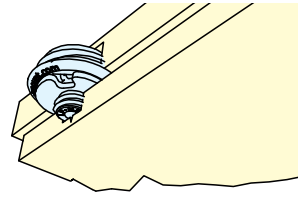

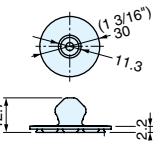
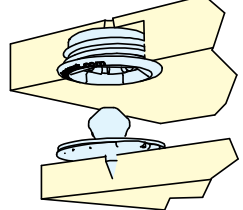
LOW PROFILE RANGE SERIES



For applications with thin support substrates, 3/8" (10 mm) or thicker. Can be used also for wall panel applications on drywall.

FASTMOUNT® - LOW PROFILE RANGE PANEL MOUNTING SYSTEM

Female Clips			
Item No.	Dimensions	Diagram	Description
LP-F8 			SELF TAPPING Material: White acetal copolymer Box: 100 Carton: 500 Installation tool: CT-19 (Sold separately) Fits into: Plywood and MDF boards. Mounts into: 1" (25-25.4 mm) hole Compatible with: Male clips: LP-M8A, LP-SM8A
LP-DF8 			SELF TAPPING COARSE THREAD Material: White acetal copolymer Box: 100 Carton: 500 Installation tool: CT-19, in battery drill with correct clutch setting (Sold Separately) Fits into: Drywall (sheetrock) and soft core materials 1/2" (12 mm) or thicker. Mounts into: 1" (25-25.4 mm) hole Compatible with: Male clips: LP-M8A, LP-SM8A
LP-AF8 			AUTO FIT Lateral adjustment for use with curved panels. Affix with #6 (M3.5) countersunk screws. Material: White acetal copolymer Box: 25 Carton: 250 Fits into: Plywood, MDF, fiberglass, etc., 7/16" (10.5 mm) or thicker. Mounts into: 1 3/8" (35 mm) pre-drilled hole in substrate Compatible with: Male clips: LP-M8A, LP-SM8A

Male Clips			
Item No.	Dimensions	Diagram	Description
LP-M8A 			SELF TAPPING Pull Out Force: 11 lbs (5 kg) Material: White acetal copolymer Box: 100 Carton: 500 Installation tool: CT-10 (Sold separately) Fits into: LP-F8, LP-DF8, LP-AF8 Mounts into: Plywood & MDF type boards with 3/8" (10 mm) hole
LP-SM8AS 			SURFACE MOUNT Can be glued or screwed into place with a self-tapping 3/4" #4 (M3) screw. Pull Out Force: 11 lbs (5 kg) Material: White acetal copolymer Box: 100 Carton: 500 Fits into: LP-F8, LP-DF8, LP-AF8 Mounts onto: Plywood or MDF panels.

Accessories



CP-08ST LOW PROFILE CLIP CENTER POINT – STEEL TIP
 Stainless steel tip for marking panels made of hard materials. Fits into the LP-F8 and LP-DF8 female clips. Use to mark hole center in panel for correct clip alignment.

Installation Tools: Low Profile Series



LP-08Y YARD KIT LOW PROFILE

Contains tools for installing Low Profile Range clips and panel removal tool. Plastic box with CT-05, CT-09, CT-10, CT-19.

STANDARD PROFILE RANGE SERIES


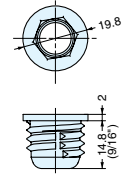
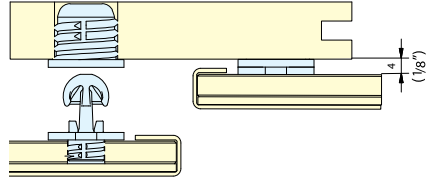

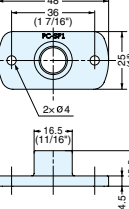
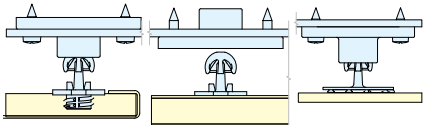

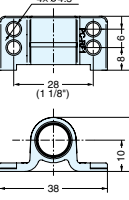
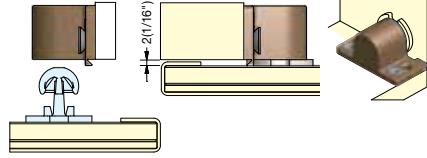

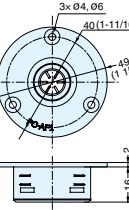
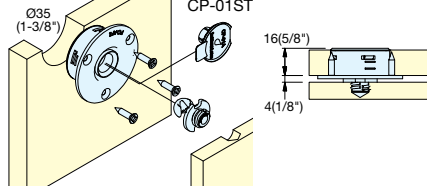


PANEL MOUNTING SYSTEM

FASTMOUNT® -STANDARD PROFILE RANGE

The Standard Profile Clips offer the greatest variety of installation options and can be used for both wall and ceiling panels. Self-tapping clips can be used in applications where the support substrate is 1/2" or thicker; surface mount clips can be used with thinner support materials such as steel frames.



Female Clips			
Item No.	Dimensions	Diagram	Description
PC-F1A 			SELF TAPPING Material: White acetal copolymer Box: 100 Carton: 500 Installation tool: CT-03 (Sold separately) Mounts into: 0.66" (16.8 mm) hole drill with CT-01, CT-07 Compatible with: Male Clips PC-M1B, PC-M2H, PC-SM2, VS-M1, PC-SM2H
PC-SF1 			SURFACE MOUNT Affix with #6 (M3.5) screws. Material: White acetal copolymer Box: 100 Carton: 500 Compatible with: Male Clips PC-M1B, PC-M2H, PC-SM2, VS-M1, PC-SM2H
PC-RF1-B 			SIDE SURFACE MOUNT Affix with #6 (M3.5) countersunk screws. Material: Brown acetal copolymer Box: 100 Carton: 500 Compatible with: Male Clips PC-M1B, PC-M2H, PC-SM2, VS-M1, PC-SM2H
PC-AF1 			AUTO FIT Affix with #6 (M3.5) countersunk screws. Material: White acetal copolymer Box: 100 Carton: 500 Mounts into: 1 3/8" (35 mm) hole Compatible with: Male Clips PC-M1B, PC-M2H, PC-SM2, VS-M1, PC-SM2H

Accessories



CP-01ST STAINLESS STEEL TIP

Stainless Steel tip for making panels made of hard materials. Fits into the PC-F1A, PC-SF1, and PC-RF1 female clips. Use to mark hole center in panel for correct clip alignment.


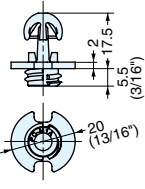
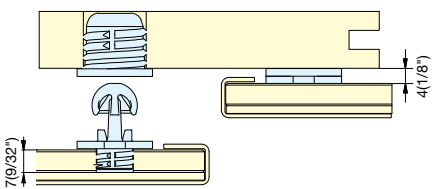

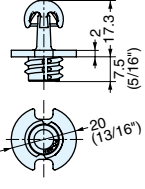
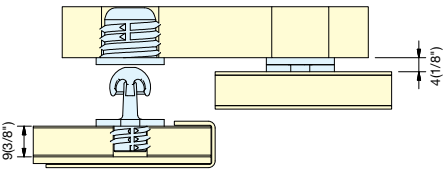

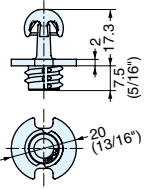
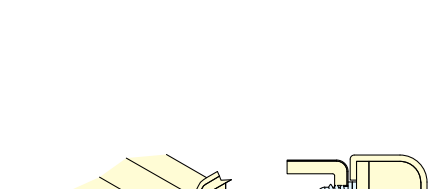

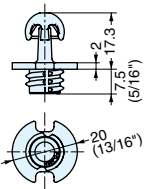
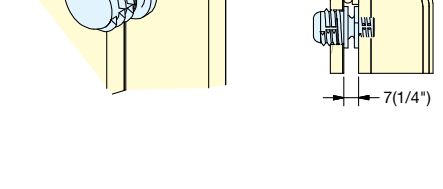

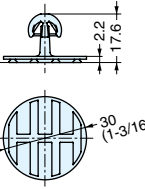
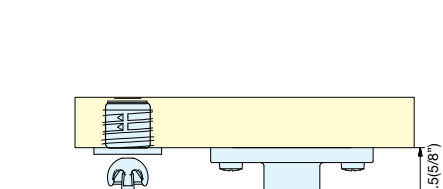

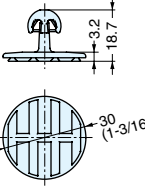
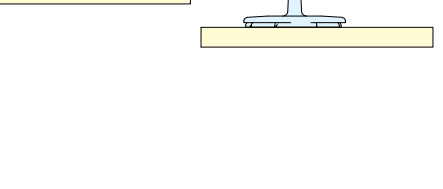
Installation Tools: Standard Profile



CT-08 YARD KIT 6 TOOLS

One each CT-01, CT-03, CT-05, CT-07, CT-09, and CT-10 in plastic box. Use to install self-tapping standard profile clips.

STANDARD PROFILE RANGE SERIES

Male Clips			
Item No.	Dimensions	Diagram	Description
PC-M1B 			SELF TAPPING Pull Out Force: 11 lbs (5 kg) Material: White acetal copolymer Box: 100 Carton: 1,000 Installation tool: CT-10 (Sold separately) Fits into: PC-F1A, PC-SF1, PC-RF1, PC-AF1 Mounts into: 3/8" (10 mm) hole drilled with CT-01 or CT-09
PC-M2H 			SELF TAPPING HEAVY DUTY Minimum panel thickness: 11/32" (9 mm) Pull Out Force: 22 lbs (10 kg) Material: Black acetal copolymer Box: 100 Carton: 500 Installation tool: CT-10 (Sold separately) Fits into: PC-F1A, PC-SF1, PC-RF1, PC-AF1 Mounts into: 3/8" (10 mm) drilled with CT-01 or CT-09
PC-VM1 			VARIO SELF TAPPING (Standard) Variable gap, high shear strength. Minimum panel thickness: 11/32" (9 mm) Pull Out Force: 11 lbs (5 kg) Material: White acetal copolymer/Nylon GF Box: 100 Carton: 500 Installation tool: CT-10 (Sold separately) Fits into: PC-F1A, PC-SF1, PC-RF1, PC-AF1 Mounts into: 3/8" (10 mm) drilled with CT-01 or CT-09
PC-VMX 			VARIO SELF TAPPING (Heavy Duty) Variable gap, high shear strength. Minimum panel thickness: 11/32" (9 mm) Pull Out Force: 22 lbs (10 kg) Material: Black acetal copolymer/Nylon GF Box: 100 Carton: 500 Installation tool: CT-10 (Sold separately) Fits into: PC-F1A, PC-SF1, PC-RF1, PC-AF1 Mounts into: 3/8" (10 mm) drilled with CT-01 or CT-09
PC-SM2 			SURFACE MOUNT Adhesive fix super-groove base. Pull Out Force: 11 lbs (5 kg) Material: White acetal copolymer Box: 100 Carton: 500 Fits into: PC-F1A, PC-SF1, PC-RF1, PC-AF1
PC-SM2H 			SURFACE MOUNT HEAVY DUTY Adhesive fix super-groove base. Pull Out Force: 22 lbs (10 kg) Material: Black acetal copolymer Box: 100 Carton: 500 Fits into: PC-F1A, PC-SF1, PC-RF1, PC-AF1


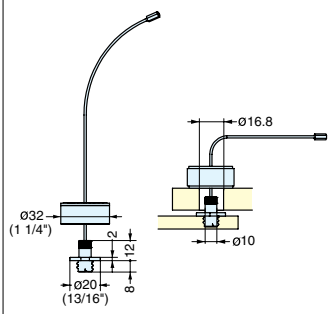
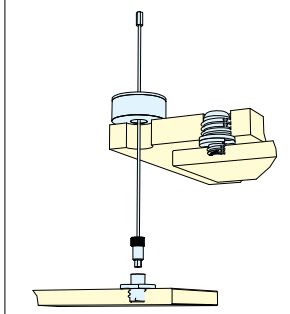

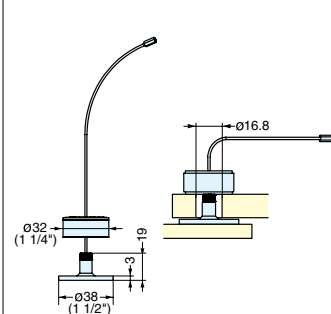
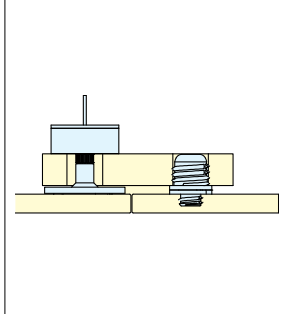
PANEL CONTROL

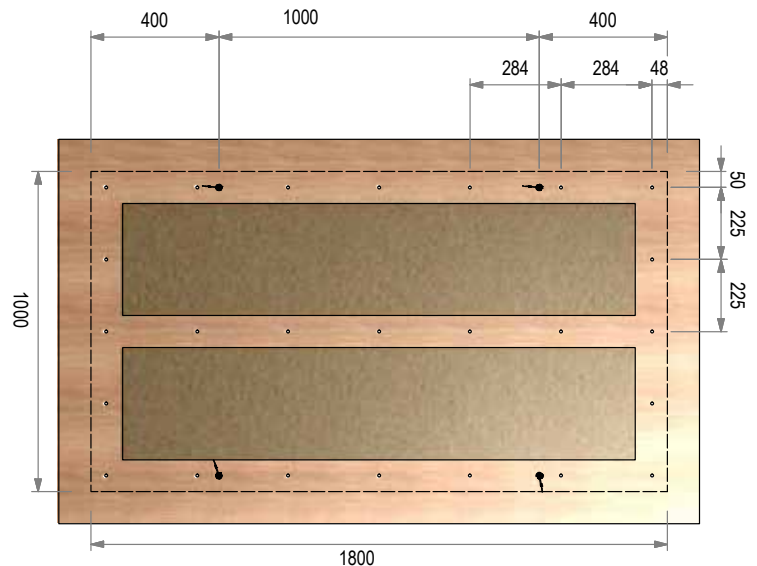
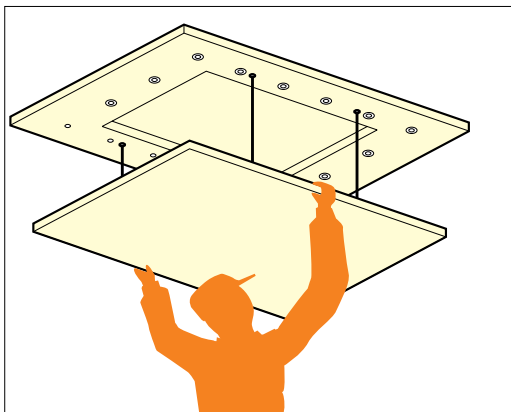


PANEL MOUNTING SYSTEM

FASTMOUNT® -PANEL CONTROL

Use in conjunction with standard profile clips to provide additional security and control. Especially well suited for ceiling panels, exit corridors and heavy panels which must be accessed often.

Item No.	Dimensions	Diagram	Description
<p>PS-150E</p> 			<p>SELF TAPPING 150MM Standard drop length: 5-7/8" (150 mm) Material: Aluminum and stainless steel Box: 4 Carton: 40 Installation tool: CT-10 (Sold separately)</p>
<p>PS-S150E</p> 			<p>SURFACE MOUNT 150MM Adhesive fix to panel. Standard drop length: 5-7/8" (150 mm) Material: Aluminum and stainless steel Box: 4 Carton: 40</p>



TECHNICAL NOTES



Pullout force

The pullout force will vary depending on the clip type and are specified on each product sheet. They are generally minimum 11 lbs (5 kg) for typical standard range clips and 22 lbs (10 kg) for heavy duty clips.

The shock load is less and can be as low as 4.4 lbs (2 kg), depending on the type of shock load. Clips never load simultaneously on a panel, so if a panel has 10 clips it does not mean the force required to remove the panel (or the force the panel will take) is 10 x 11 lbs (5 kg).

Clip spacing and panel loads

Panels need to be supported evenly around the perimeter to eliminate sagging. The clip spacing requirements will vary depending on the application. Although many of the Fastmount® clip sets will hold more than your theoretical panel load, the reality of unknown conditions means panels and clips could be subjected to shock loads (g-forces) from seismic shocks.

Fastmount® with different materials

You can mount Fastmount® clips into or onto most panel products such as plywood, MDF, plastic, fiberglass, HPL, sandwich panels and composite panels. It is not recommended to use very heavy materials. The LP-DF8 coarse thread female clip is designed to work with drywall (sheetrock).

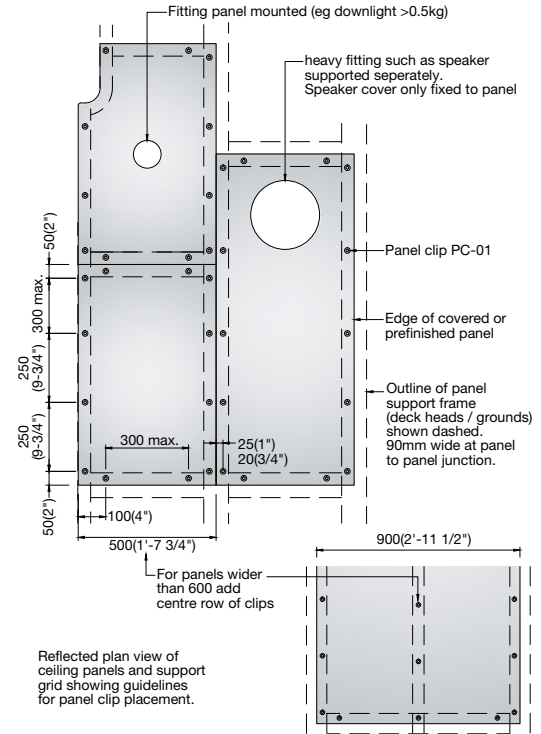
Drill setting and self tapping clips

The clutch setting on battery drills when fitting clips varies from drill to drill. It will depend on the battery charge condition and on the material you are screwing into. Once 2 or 3 test clips have been fitted, you will have a good feel for a setting that screws the clips home, but does not over tighten them. If the clips are breaking, the drill setting is too powerful. Some hard materials require a chamfer at the hole edge to prevent threads on clips to breakoff.

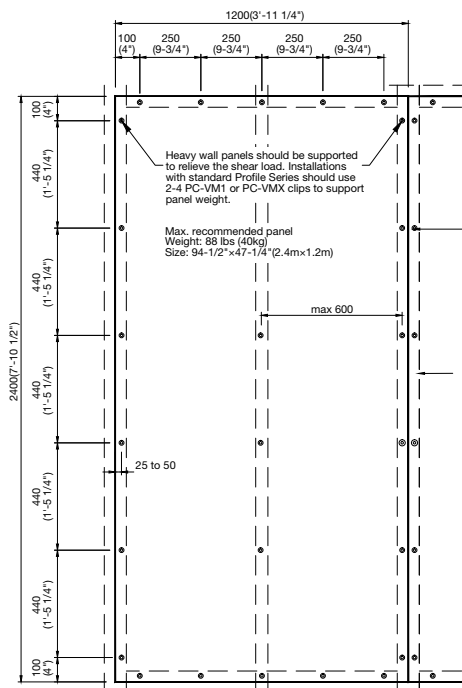
Adhesives for surface mount clips

The adhesive selection is mostly dependent on panel material. We recommend two-part epoxies that are suitable for panel materials. A typical two-part epoxy will hold the clip at over three times the clipping load 66-88 lbs (30-40 kg) per clip.

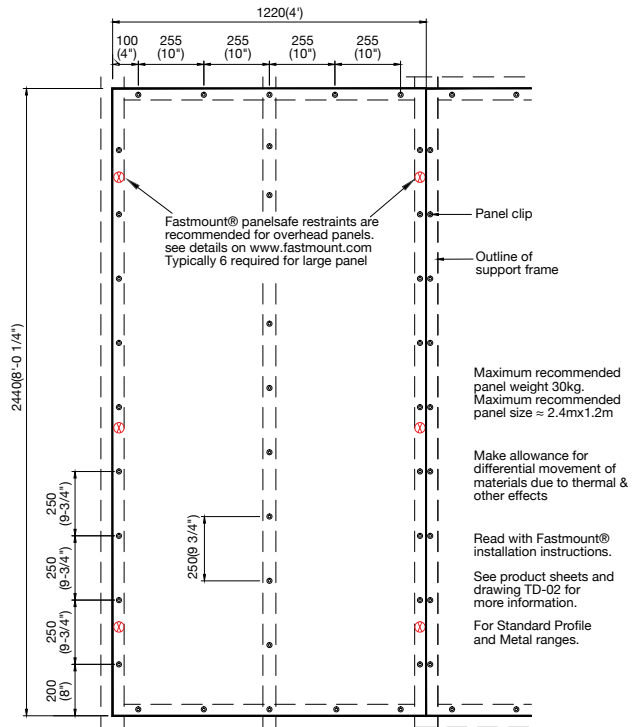
Layout for small / lightweight ceiling panels (standard profile)



Layout for Wall Panels (Standard or Low Profile)



Layout for large / heavy ceiling panels



INSTALLATION TOOLS

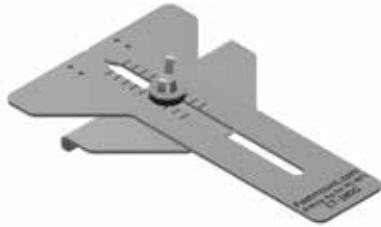


For installation quality and performance, the following tools are available for use.



CT-09DG DRILL GAUGE FOR CT-09 DRILL BIT

For use with CT-09 Forstner drill bit. Designed for depth control when blind drilling for Standard and Low Profile range male clips. Incorporates a sealed roller bearing for smooth operation, and is easily adjustable with an Allen wrench. Made of machined aluminum housing with an anodized red finish. (CT-09 bit sold separately.)



CT-18DG DRILL GUIDE INSTALLATION JIG FOR PC-RF1

Adjustable drill guide for use with the Standard Profile clip PC-RF1.



CT-12 Ø1-1/4" (31 mm) COUNTERSINK DRILL BIT

High speed steel (HSS) bit with 3/8" (10 mm) shank used to countersink the edge of holes in hard materials. Designed for use with MDF, plywood, fiberglass, and plastics when preparing the material for self-tapping clips.



PUSH LOCK FASTENER (LARGE/FLUSH TYPE)

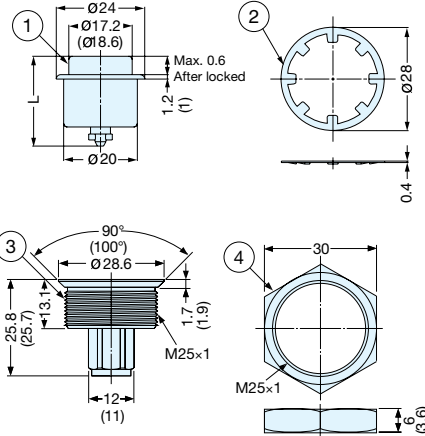
151F, 251F

PANEL MOUNTING SYSTEM

PUSH LOCK FASTENERS

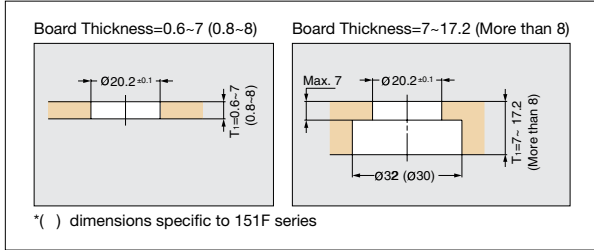


- 2 piece fastener allows for fast and easy access with complete removal of panel.
 - Attach socket into outer panel/plug into removable panel.
 - Insert plug into socket and push to lock/unlock.
- Flush locked design prevents snagging.
- Fastens plastic or sheet metal panels.



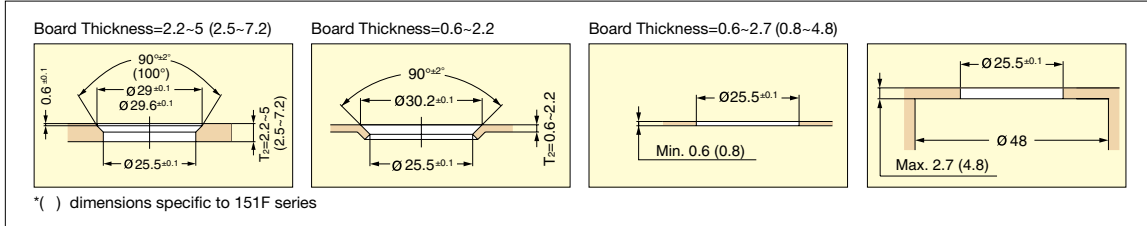
* () dimensions specific to 151F series

Preparation (Plug)



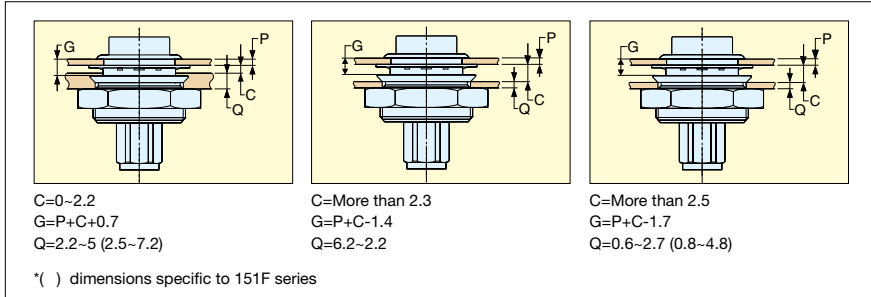
* () dimensions specific to 151F series

Preparation (Socket)

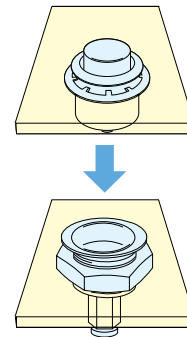


* () dimensions specific to 151F series

Grip Dimensions



* () dimensions specific to 151F series



151F

No.	Part Name	Material	Finish
①	Plug	Zinc Alloy	Chrome
②	Ring	Steel	-
③	Socket	Yellow Zinc Chromate	Chromate
④	Nut	Zinc Alloy	

251F

No.	Part Name	Material	Finish
①	Plug	Polyacetal	Black
②	Ring	Steel	
③	Socket	Polyacetal	
④	Nut		

Item No.	Grip Dimension G	Plug Dimension L	Retaining Force (kg)	Weight (g)
151F-01-2	1.2~2.0	20.5	25 (55 lbs)	15
151F-02-2	2.0~2.8	21.0		
151F-03-2	2.8~3.6	22.0		
151F-04-2	3.6~4.4	23.0		
151F-05-2	4.4~5.2	23.5		
151F-06-2	5.2~6.0	24.5		

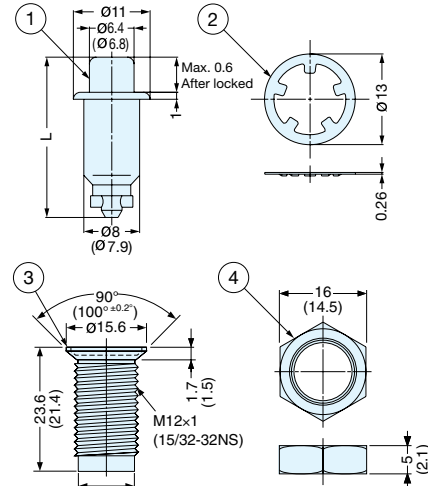
Item No.	Grip Dimension G	Plug Dimension L	Retaining Force (kg)	Weight (g)
251F-01-3	1.2~2.0	20.5	25 (55 lbs)	15
251F-02-3	2.0~2.8	21.0		
251F-03-3	2.8~3.6	22.0		
251F-04-3	3.6~4.4	23.0		
251F-05-3	4.4~5.2	23.5		
251F-06-3	5.2~6.0	24.5		

PUSH LOCK FASTENER (MINI/FLUSH TYPE)

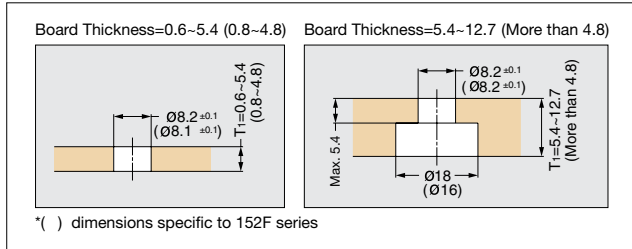
152F, 252F



- 2 piece fastener allows for fast and easy access with complete removal of panel.
 - Attach socket into outer panel/plug into removable panel.
 - Insert plug into socket and push to lock/unlock.
- Flush locked design prevents snagging.
- Fastens plastic or sheet metal panels.



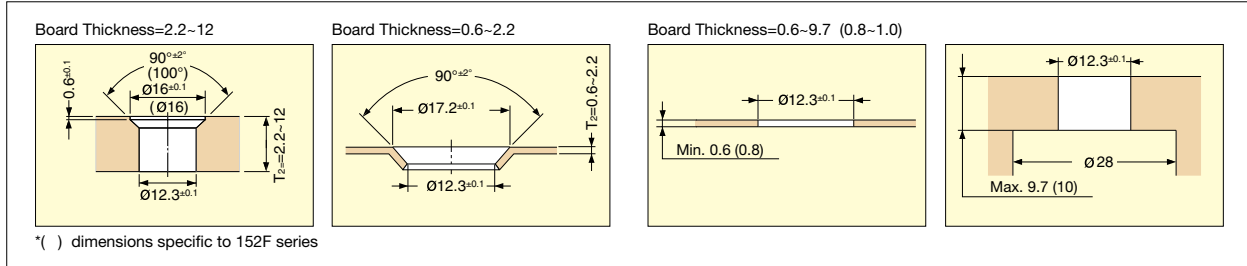
Preparation (Plug)



* () dimensions specific to 152F series

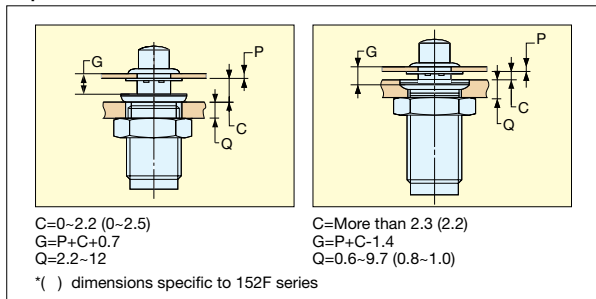
* () dimensions specific to 152F series

Preparation (Socket)

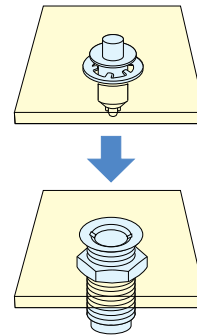


* () dimensions specific to 152F series

Grip Dimensions



* () dimensions specific to 152F series



152F

No.	Part Name	Material	Finish
①	Plug	Zinc Alloy	Chrome
②	Ring	Steel	-
③	Socket	Zinc Alloy	Chromate
④	Nut	Steel	

252F

No.	Part Name	Material	Finish
①	Plug	Polyacetal	Black
②	Ring	Steel	
③	Socket	Polyacetal	
④	Nut		

Item No.	Grip Dimension G	Plug Dimension L	Retaining Force (kg)	Weight (g)
152F-01-1	1.2~2.0	18.5	15 (33 lbs)	6
152F-02-1	2.0~2.8	19.0		
152F-03-1	2.8~3.6	20.0		
152F-04-1	3.6~4.4	20.5		
152F-05-1	4.4~5.2	21.5		
152F-06-1	5.2~6.0	22.5		

Item No.	Grip Dimension G	Plug Dimension L	Retaining Force (kg)	Weight (g)
252F-01-3	1.2~2.0	18.5	15 (33 lbs)	6
252F-02-3	2.0~2.8	19.0		
252F-03-3	2.8~3.6	20.0		
252F-04-3	3.6~4.4	20.5		
252F-05-3	4.4~5.2	21.5		
252F-06-3	5.2~6.0	22.5		

PUSH LOCK FASTENER (MINI/BUTTON TYPE)

155F, 255F

PANEL MOUNTING SYSTEM

PUSH LOCK FASTENERS

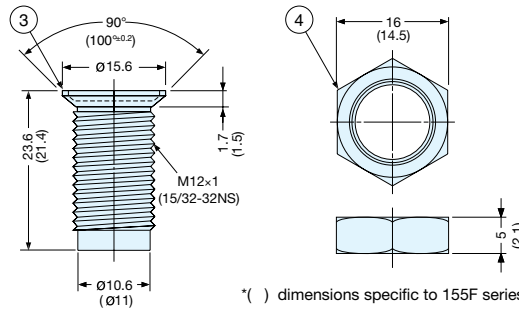
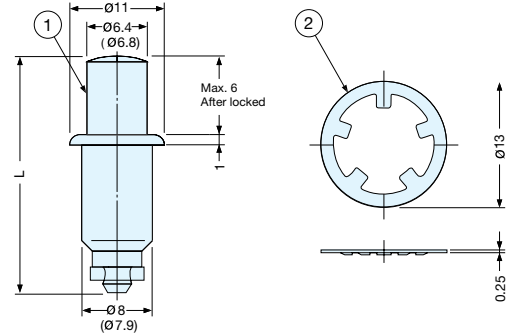


155F

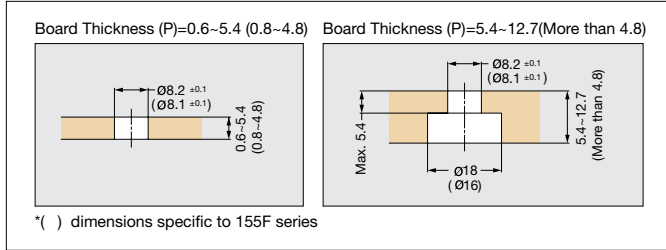


255F

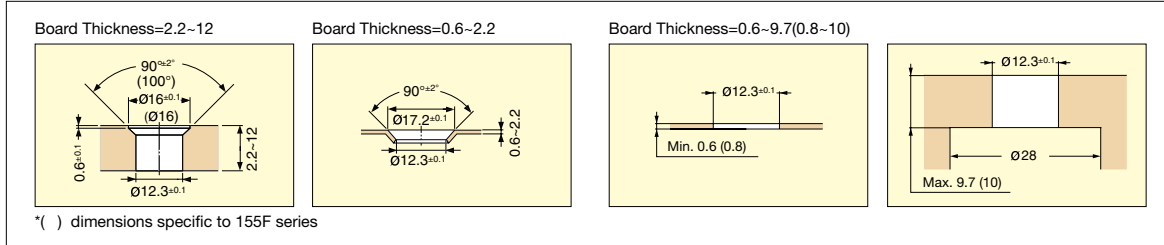
- 2 piece fastener allows for fast and easy access with complete removal of panel.
 - Attach socket into outer panel/plug into removable panel.
 - Insert plug into socket and push to lock/unlock.
- Flush locked design prevents snagging.
- Fastens plastic or sheet metal panels.



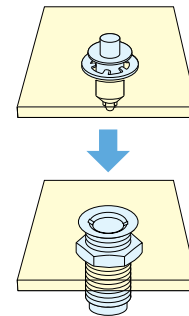
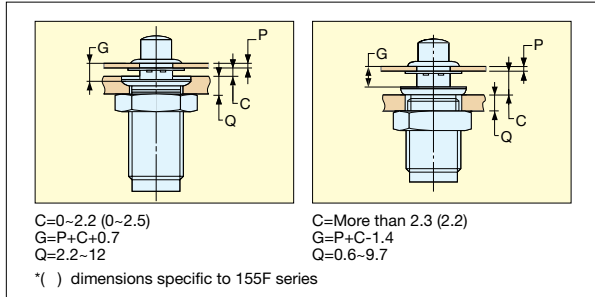
Preparation (Plug)



Preparation (Socket)



Grip Dimensions



155F

No.	Part Name	Material	Finish
①	Plug	Zinc Alloy	Chrome
②	Ring	Steel	-
③	Socket	Zinc Alloy	Chromate
④	Nut	Steel	

255F

No.	Part Name	Material	Finish
①	Plug	Polyacetal	Black
②	Ring	Steel	
③	Socket	Polyacetal	
④	Nut		

Item No.	Grip Dimension G	Plug Dimension L	Retaining Force (kg)	Weight (g)
155F-01-1	1.2-2.8	23.5	15 (33 lbs)	6
155F-03-1	2.8-4.4	25.0		
155F-05-1	4.4-6.0	26.5		

Item No.	Grip Dimension G	Plug Dimension L	Retaining Force (kg)	Weight (g)
255F-01-3	1.2-2.8	23.5	15 (33 lbs)	6
255F-03-3	2.8-4.4	25.0		
255F-05-3	4.4-6.0	25.5		

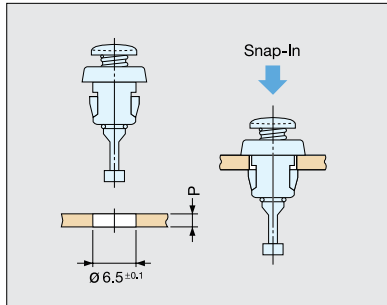
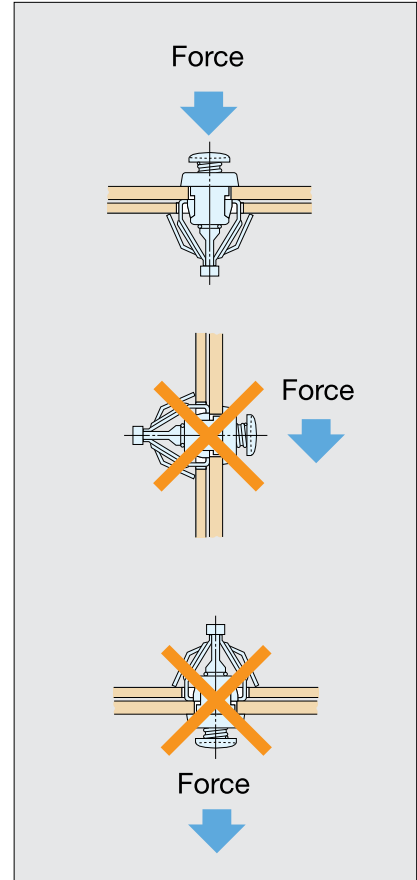
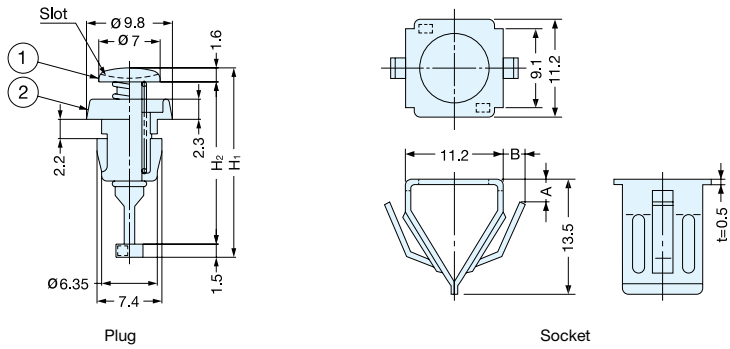
PUSH LOCK FASTENER (PUSH-TURN TYPE)



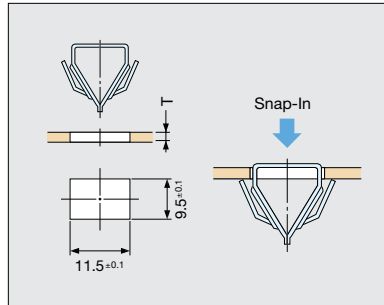
149 SERIES



- 2 piece fastener allows for fast and easy access with complete removal of panel.
 - Attach socket into outer panel/plug into removable panel.
 - Insert plug into socket and push to lock/unlock.
- Flush design when locked prevents snagging.
- Fastens plastic or sheet metal panels.



Preparation (Plug)



Preparation (Socket)

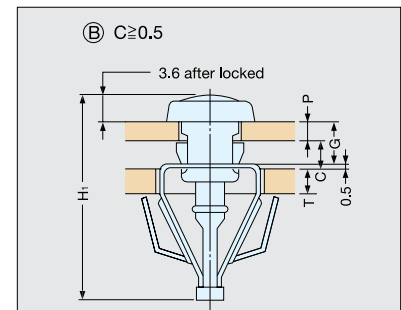
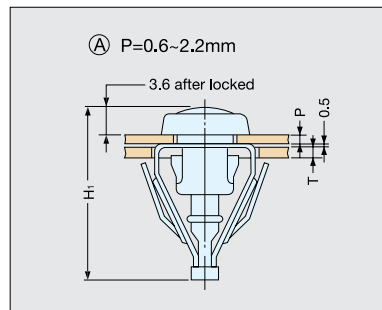
(A)

Item No.	P	H ₁
149S06-1-1AA	0.6~1.4	19.2
149S06-2-1AA	1.4~2.2	20.0

(B)

Item No.	G=P+C-0.5 (C ≥ 0.5)	P	C
149S06-1-1AA	0.6~1.4	0.6~1.4	1.3~0.5
149S06-2-1AA	1.4~2.2	0.6~2.2	2.1~0.5

NOTE: P+C-0.5 ≤ Max. G
 (1) P(0.8)+C(1.0)-(0.5)=G(1.3)→149S06-1-1AA
 (2) P(0.8)+C(1.3)-(0.5)=G(1.6)→149S06-2-1AA



Plug

Item No.	H ₁	H ₂	Weight (g)	Box (pcs)	Carton (pcs)
149S06-1-AA	19.2 (3/4")	16.1	2	500	2000
149S06-2-AA	20.0 (25/32")	16.9			

Socket

Item No.	A	B	Board Thickness T	Weight (g)	Box (pcs)	Carton (pcs)
149R02-2-1AA	2.6	1.7	1.2~1.8	1	500	2000
149R02-3-1AA	3.6	1.9	1.8~2.6			

Part Name	Material	Finish
Plug	430 Stainless steel (①Pin)	Plain
	Plastic (②Cap)	Grey
Socket	304 Stainless steel	-

LOCKING PANEL FASTENER



LC-PK32, LC-PL32

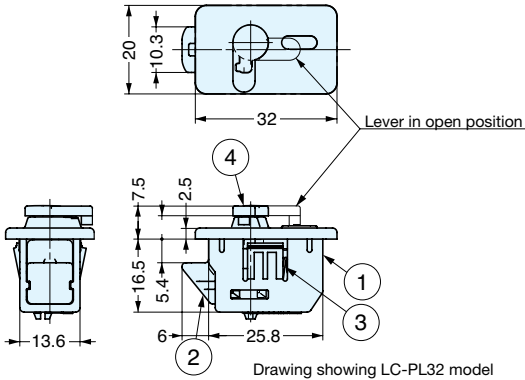


LC-PK32-L-BL

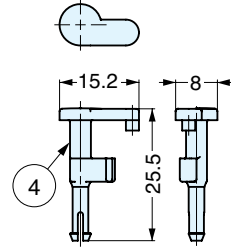


LC-PL32-L-GR

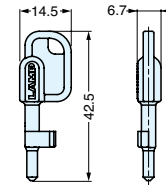
- Snap in Installation.
- Release multiple latches simultaneously with temporary hold open feature.
- Two types of locking and unlocking methods either with a key or lever.
- (key & levers are sold separately)
- The latch body is made from plastic material rated at UL94 V-0.
- 304 Stainless Steel component parts.
- High corrosion resistance.



LC-PL32-L-GR



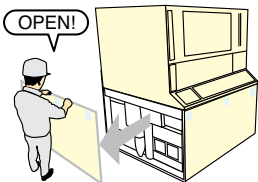
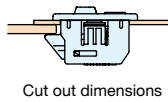
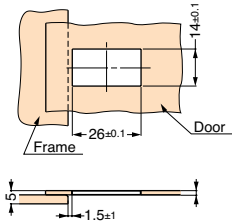
LC-PK32-K



No.	ItemName	Material
①	Case	Polypropylene (PP)
②	Latch	PBT
③	Spring	Stainless Steel (SUS304)
④	Lever	PBT

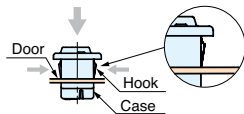
PANEL MOUNTING SYSTEM

LOCKING PANEL FASTENER

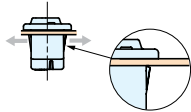


[One-touch Installation]

1. Snaps into sheet metal.

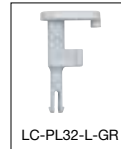
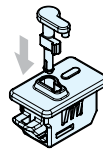


2. Body secures automatically to sheet metal.

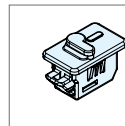


[With lever (Sold Separately)]

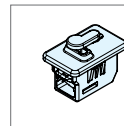
1. Insert lever into body.



2. Push in completely until latch snaps in.



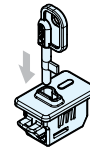
Lever Closed



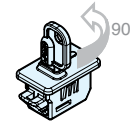
Lever Opened

[With key (Sold Separately)]

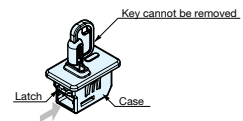
1. Insert key.



2. Turn clockwise 90°.



3. Latch will remain in open position.



Lever (Sold Separately)

Item No.	Color
CL-PL32-L-BL	Black
CL-PL32-L-GR	Gray

Key (Sold Separately)

Item No.	Material	Finish
LC-PK32-K	Nickel Plated Zink Die Cast	Nickel

Item No.	Color	Material Thickness
LC-PK32-L-BL	Black	1.2, 1.5, 1.5
LC-PK32-L-GR	Gray	
LC-PL32-L-BL	Black	
LC-PL32-L-GR	Gray	

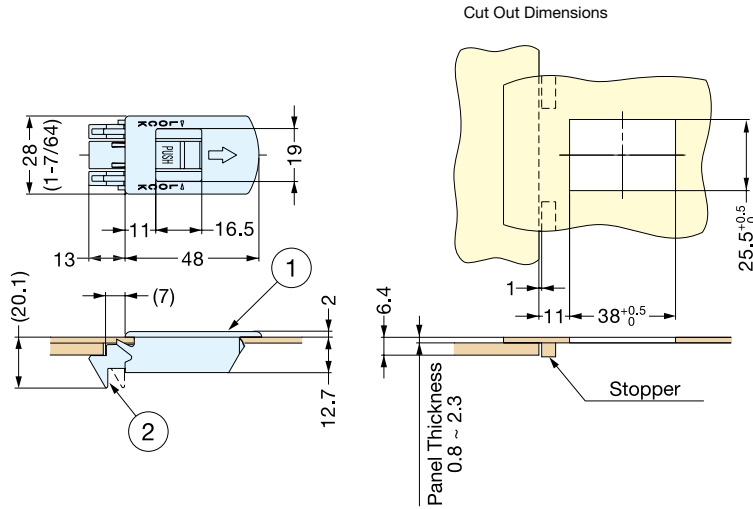
QUICK RELEASE PANEL FASTENER



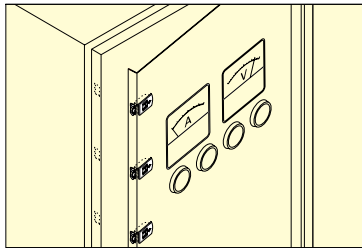
SX-48



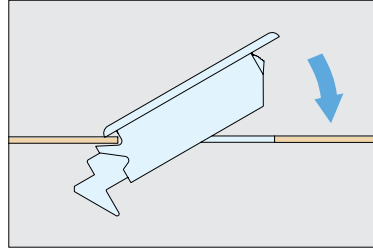
- Snap-in installation.
- Automatically latches when the panel is closed.
- Release multiple latches simultaneously with temporary hold-open feature.
(No need to depress latch when releasing)
- Components are plastic and features a 304 stainless steel spring to provide high corrosion resistance.
- Nonflammable.



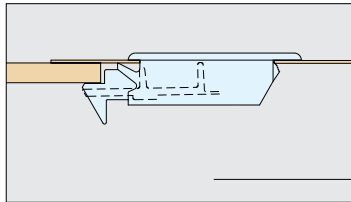
Use multiple latches.



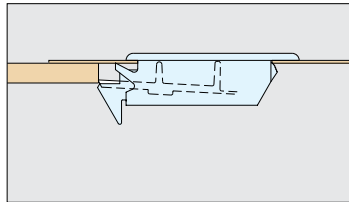
Snap into panel.



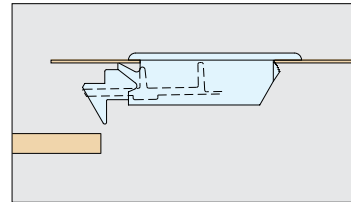
Operation



Locks when panel is closed.



Hold-Open Feature
Each latch will hold in an opened position allowing user to release multiple latches at the same time.



Lever & latch is reset when the panel opens.

Item No.	Panel Thickness (mm)	Retaining Force (kg)	Weight (g)	Box (pcs)	Carton (pcs)
SX-48	0.8~2.3	5 (12 lbs)	11	40	400

No.	Part Name	Material	Finish
①	Case	Polyamide (UL94V-0)	Silver
②	Latch	Polyacetal (UL94HB)	-
-	Spring	304 Stainless Steel	-