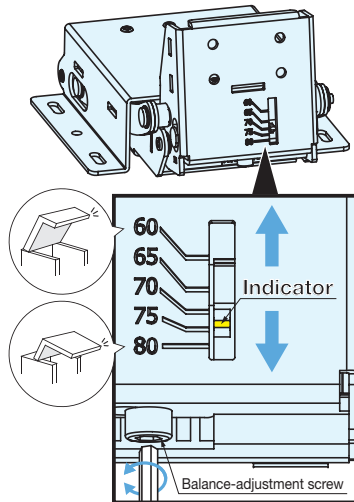


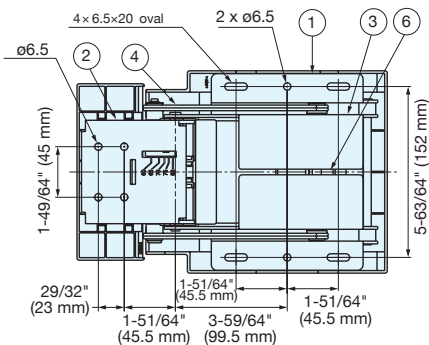
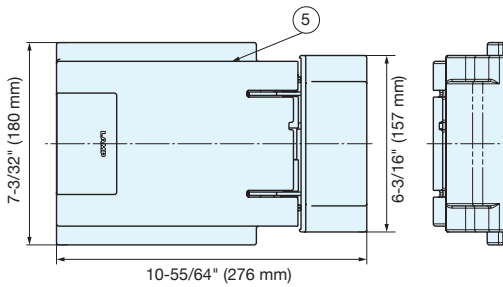


- Mitigates effort needed to lift heavy lids and doors.
- Balance adjustment allows for use in a wider range of lids than conventional lift-assist hinges.
- Soft closing.
- External surface mounted.
- Torque adjustable ($\pm 10\%$).
- Features durable plastic cover for clean appearance.
- Applications: Medical equipment, analytical instruments, semiconductor equipment.

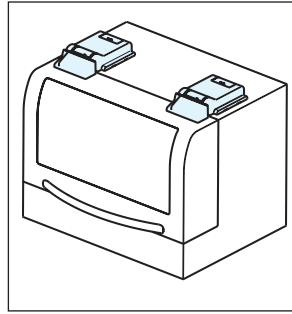
Balance Adjustment



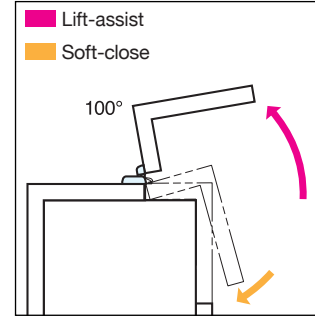
Angle of peak torque is adjustable with hex key 5 mm (13/64"). This feature allows for position adjustment to change the center of gravity.



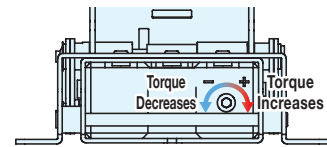
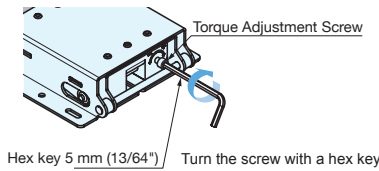
Installation



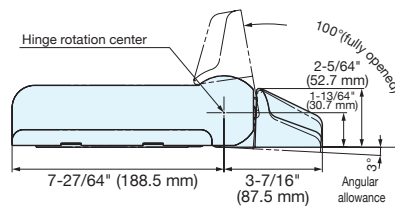
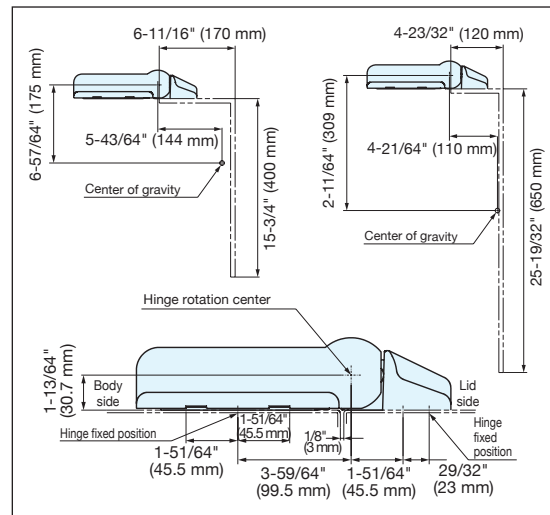
Working range



Torque Adjustment



Installation Example



No.	Part Name	Material	Finish
①	Base A	430 Stainless Steel	-
②	Base B		
③	Case		
④	Link Arm		
⑤	Plastic Cover	PBT Plastic	Light Grey
⑥	Slider	Polycetal	-
⑦	Spring	Steel	-

Item No.	Peak Torque Angle	Torque per piece	Weight (g)	Box (pcs)	Carton (pcs)
HG-PA300-15	60° - 80°	133±10 % lbs-in (153±10% kgf-cm)	3400	1	-