

DUAL AXIS TORQUE HINGE

HG-TMH

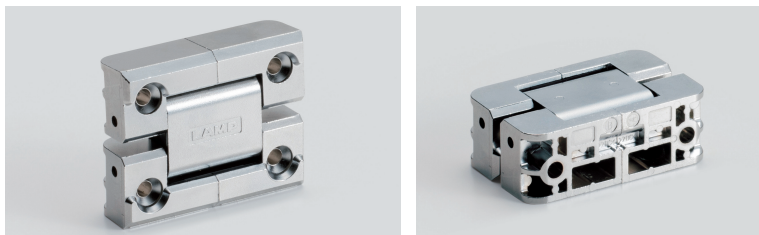


Chrome

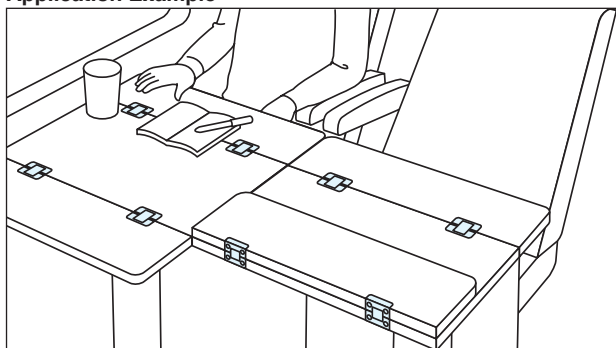
Satin Nickel

Black

- A torque hinge that can be opened 180°.
- Shafts do not protrude when the hinge is fully opened or closed.
- Easy to operate as the two shafts have different torque and move one at a time.
- Ideal for folding tables in shops, trains, caravans, etc.



Application Example



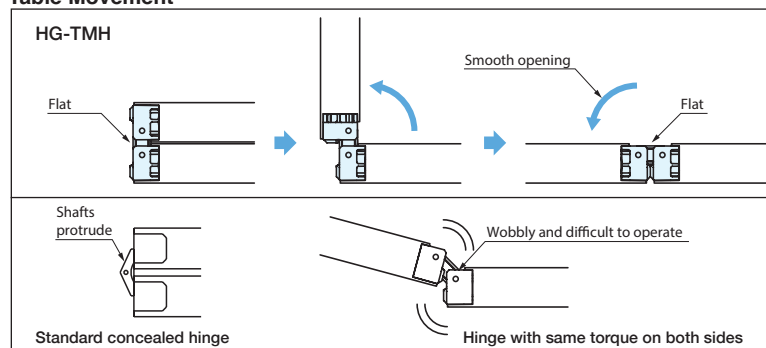
When fully opened.



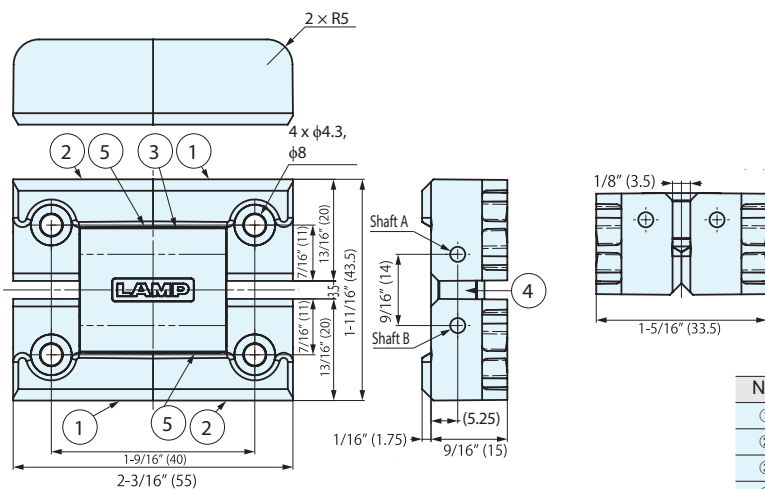
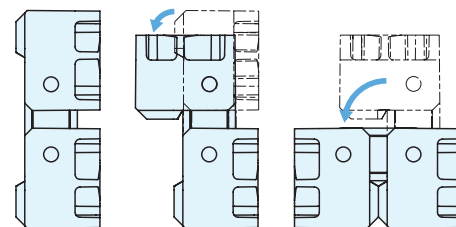
Lays flat so shafts do not protrude.

No visible screw holes when closed.

Table Movement



Hinge Movement



No.	Part Name	Material	Finish/Color
①	Main BodyA	Zinc Alloy	Chrome, Satin Nickel, Black
②	Main BodyB		
③	Intermediate Body		
④	Sleeve	Plastic (PBT)	Black
⑤	Bumper		

Item No.	Finish	Shaft A Torque (kgf-cm)	Shaft B Torque (kgf-cm)	Weight (g)	Box (pcs)	Carton (pcs)
HG-TMH2030	Chrome	20.4±20%	30.6±20%	165	10	50
HG-TMH1530		15.3±20%				
HG-TMH2030-SN	Satin Nickel	20.4±20%				
HG-TMH1530-SN		15.3±20%				
HG-TMH2030-BL	Black	20.4±20%				
HG-TMH1530-BL		15.3±20%				