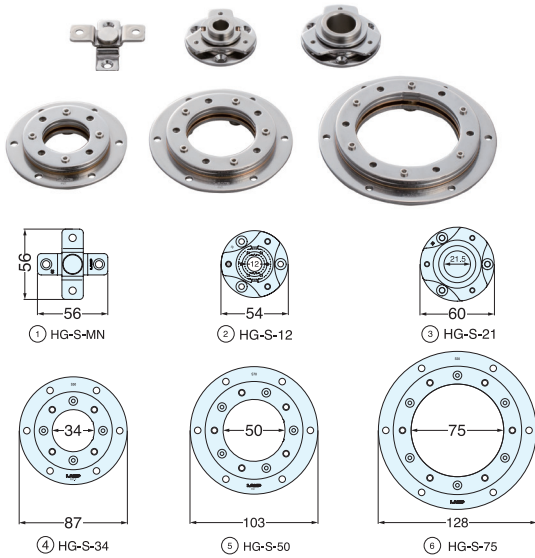


SWIVEL TORQUE HINGE



HG-S

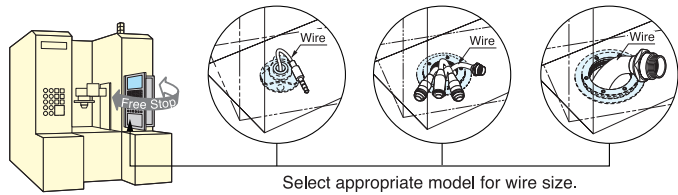


- Rotation angle: 360°
- Free stop function.

Use for:

- Industrial control panels and monitors.

- Note:
- Initial torque may vary $\pm 20\%$.
 - Do not lubricate.
 - For indoor use only.



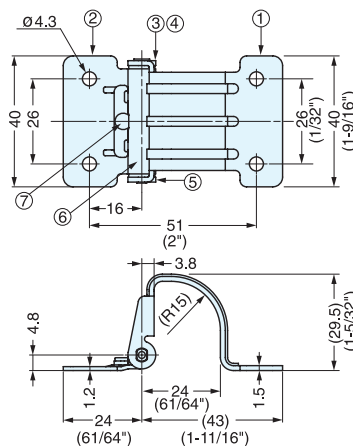
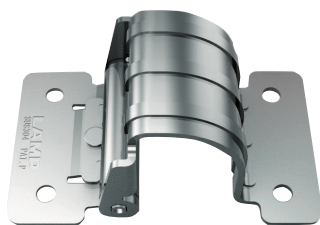
Item No.	No.	Outer Dimension (mm)	Center Hole Diameter (mm)	Torque per piece (kgf·cm)
HG-S7-MN	①	56 (2-3/16")	-	7.1 \pm 20% (6.2 lbs·in)
HG-S20-MN				20.4 \pm 20% (17.7 lbs·in)
HG-S30-12	②	54 (2-1/8")	12.0 (1/2")	30.6 \pm 20% (26.6 lbs·in)
HG-S50-12				51.0 \pm 20% (44.3 lbs·in)
HG-S30-21	③	60 (2-3/8")	21.5 (7/8")	30.6 \pm 20% (26.6 lbs·in)
HG-S50-21				51.0 \pm 20% (44.3 lbs·in)
HG-S70-34	④	87 (3-7/16")	34.0 (1-5/16")	71.4 \pm 20% (62.1 lbs·in)
HG-S70-50				71.4 \pm 20% (62.1 lbs·in)
HG-S100-50	⑤	103 (4-1/16")	50.0 (2")	102.0 \pm 20% (88.7 lbs·in)
HG-S50-75				51.0 \pm 20% (44.3 lbs·in)
HG-S70-75	⑥	128 (5-1/16")	75.0 (2-15/16")	71.4 \pm 20% (62.1 lbs·in)

Part Name	Material	Finish
Plate	430 Stainless Steel	Barrel Polished
Washer		
F Plate	Bronze	
Spring Washer	Stainless Steel/ Steel (HG-S-12)	
Shaft	303 Stainless Steel (HG-S7,S20)	-
Bush	POM(HG-S-34)	
Sleeve	303 Stainless Steel (HG-S30,S50)	

HIDDEN TORQUE HINGE

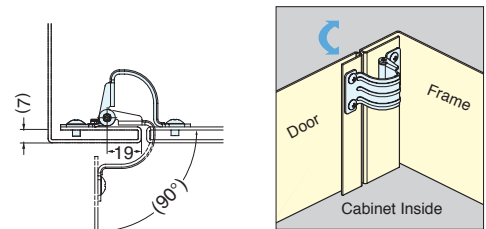


HG-TU



- Installation on the back side of the door.
- Can be used both for horizontal and vertical applications.

- Note:
- Initial torque may vary -20%~+40%.
 - Not suitable for high frequency use.
 - Do not lubricate.
 - For indoor use only.



Item No.	Torque per piece (kgf·cm)	Weight (g)	Box (pcs)	Carton (pcs)
HG-TU03	3.6 (3.1 lbs·in)	50	20	200
HG-TU07	7.1 (6.2 lbs·in)			

No	Part Name	Material	Finish
①	Body	430 Stainless Steel	Polished
②	Base		
③	Fixing Tube	Polyacetal	Black
④	Fixing Tube		
⑤	Shaft	303 Stainless Steel	-
⑥	Press Washer	430 Stainless Steel	Polished
⑦	Pin		-