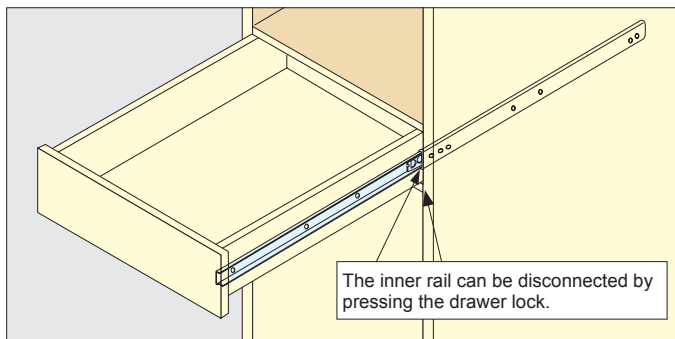


3/4 EXTENSION SLIDE



ESR-8

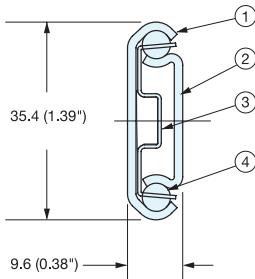
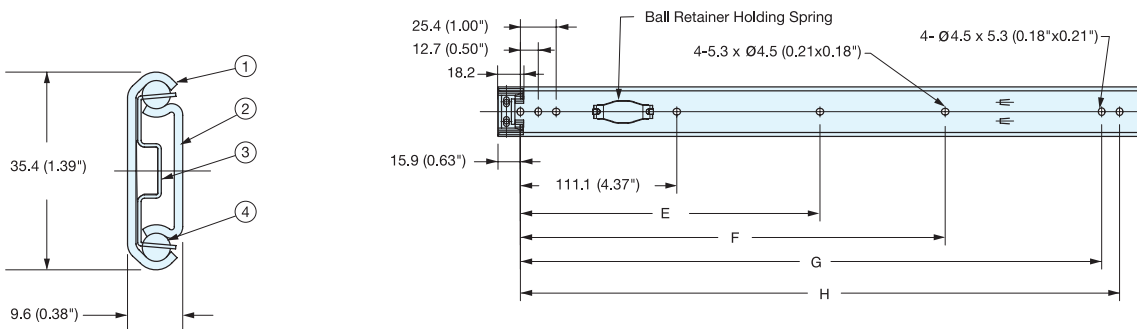
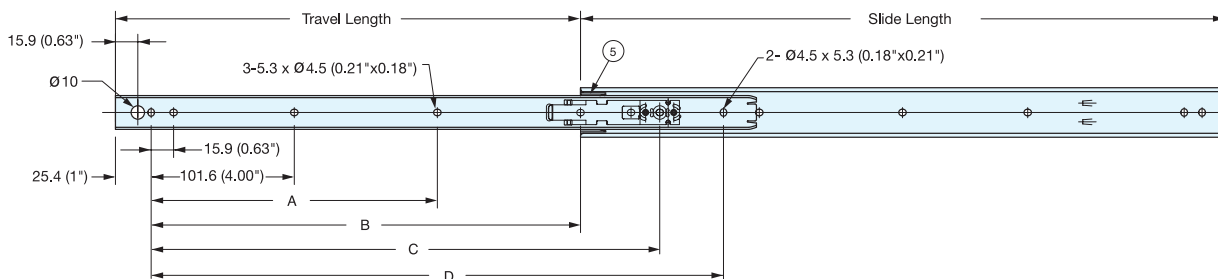
DRAWER SLIDES



- 3/4 extension.
- Positive lock.
- Front disconnect.
- Non-handed.
- Sold by each.
- Mount with M4 or #8 Binding, Pan, or Truss head screws.



STAINLESS STEEL SLIDES



25.4 mm=1"

No.	Part	Material
①	Outer Rail	304 Stainless Steel
②	Inner Rail	
③	Retainer	
④	Balls	
⑤	Guide Block	Polyacetal

Item No.	Slide Length	Travel Length	A	B	C	D	E	F	G	H	# of Holes		Load Rating (kg/pair)	Weight (g)	Box (pcs)
											Inner Rail	Outer Rail			
ESR-8-12	304.8 (12")	228.6 (9")	-	152.4	259.5	-	-	149.2	260.3	273.0	4	7	49 (107 lbs)	310	20
ESR-8-14	355.6 (14")	279.4 (11")	-	203.2	310.3	-	-	200.0	311.1	323.8	4	7	47 (103 lbs)	370	
ESR-8-16	406.4 (16")	304.8 (12")	-	203.2	335.7	355.6	-	250.8	361.9	374.6	4	7	43 (94 lbs)	420	
ESR-8-18	457.2 (18")	330.2 (13")	203.2	-	366.1	406.4	212.7	301.6	412.7	425.4	5	8	41 (90 lbs)	470	
ESR-8-20	508.0 (20")	381.0 (15")	228.6	-	411.9	457.2	238.1	352.4	463.5	476.2	5	8	37 (81 lbs)	500	
ESR-8-22	558.8 (22")	406.4 (16")	254.0	-	437.3	508.0	263.5	403.2	514.3	527.0	5	8	34 (74 lbs)	550	
ESR-8-24	609.6 (24")	432.8 (17-1/32")	279.4	-	463.7	558.8	288.9	454.0	565.1	577.8	5	8	30 (66 lbs)	600	
ESR-8-26	660.4 (26")	482.6 (19")	304.8	-	513.5	609.6	314.3	504.8	615.9	628.6	5	8	27 (59 lbs)	670	
ESR-8-28	711.2 (28")	508.0 (20")	330.2	-	558.8	660.4	339.7	555.6	666.7	679.4	5	8	25 (55 lbs)	680	