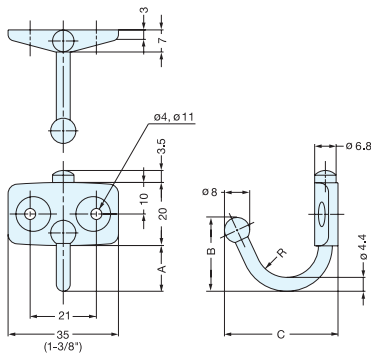


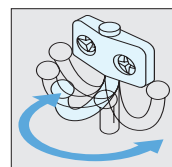
# SWING HOOK



# TK, TKF



- Swivels 180 degrees.
- Hook has constant torque when swiveling.
- Ideal for vibration or shock applications.



Installation

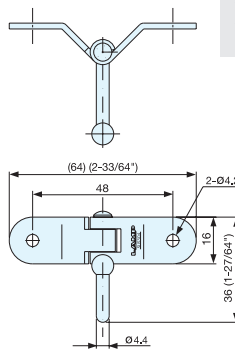
Material	Finish
304 Stainless Steel	Polished

Item No.	Type	A	B	C	R	Load Capacity (kg)	Weight (g)	Box (pcs)	Carton (pcs)
TK-30	Without Friction	14.5	23.4 ( 59/64" )	36.0 ( 1-27/64" )	10	12 ( 26 lbs )	17	100	1000
TK-45	Without Friction	19.4	28.4 ( 1-1/8" )	44.3 ( 1-3/4" )	15	8 ( 17 lbs )	20		
TK-30F	With Friction	14.5	23.4 ( 59/64" )	36.0 ( 1-27/64" )	10	12 ( 26 lbs )	17	100	1000
TK-45F	With Friction	19.4	28.4 ( 1-1/8" )	44.3 ( 1-3/4" )	15	8 ( 17 lbs )	20		

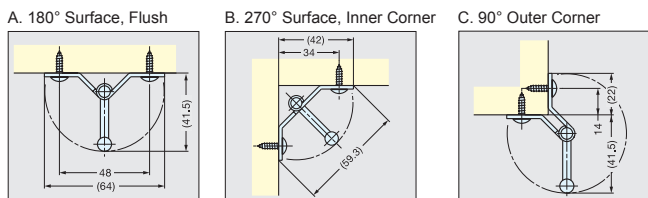
# BUTTERFLY HOOK



# TZ-360



- Hinged flap allows flush or corner mount.
- Applicable angle: 90°~270°



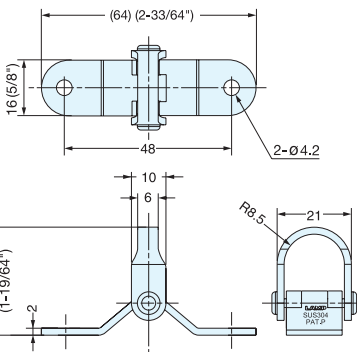
Material	Finish
304 Stainless Steel	Polished

Item No.	Load Capacity A (kg)	Load Capacity B (kg)	Load Capacity C (kg)	Weight (g)	Box (pcs)	Carton (pcs)
TZ-360	6 (13.2 lbs)	5.6 (12.3 lbs)	3 (6.6 lbs)	27	50	500

# BUTTERFLY HOOK

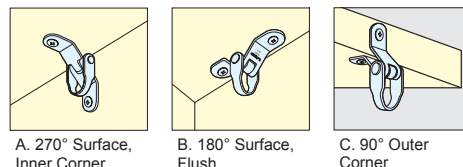


# DZ-270



- Eyelet swivels for various installation applications.
- Hinged leaves for flush or corner mount.
- Includes 1/2" (M4 x 12) long screws.

Installation



Material	Finish
304 Stainless Steel	Polished

Item No.	Load Capacity A (270°)		Load Capacity B (180°)		Load Capacity C (90°)		Weight (g)	Box (pcs)	Carton (pcs)
	Horizontal	Vertical	Horizontal	Vertical	Horizontal	Vertical			
DZ-270	5.6 kg (12.3 lbs)	6 kg (13.2 lbs)	6 kg (13.2 lbs)	8 kg (17.6 lbs)	3 kg (6.6 lbs)	8 kg (17.6 lbs)	29	50	500