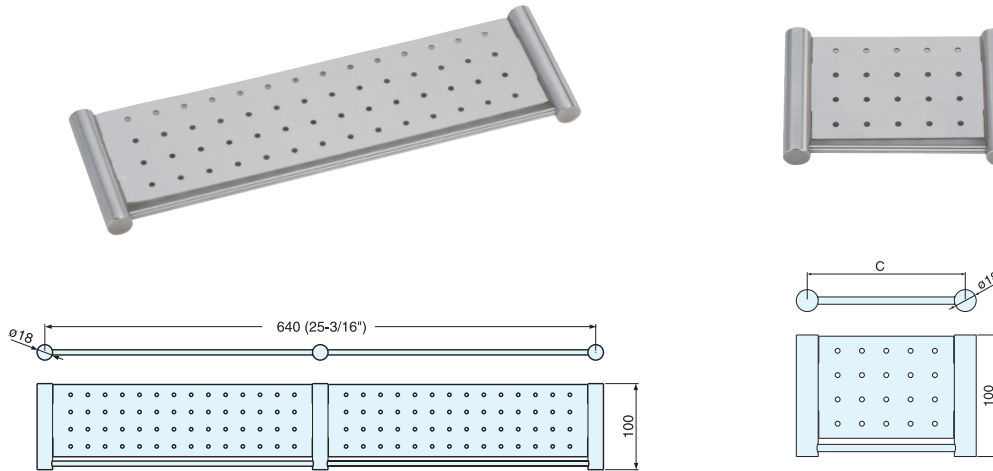


SOAP HOLDER/SHELF



DSS-05

- Supplied with screws, brackets, plastic expansion anchors and allen key.
- Not designed for drywall installation.



Item No.	C	Weight (g)	Box (pcs)	Carton (pcs)
DSS-05/13	130 (5-1/8")	507	1	10
DSS-05/17	170 (6-11/16")	555		
DSS-05/32	320 (12-19/32")	731		
DSS-05/64	640 (25-3/16")	1270		

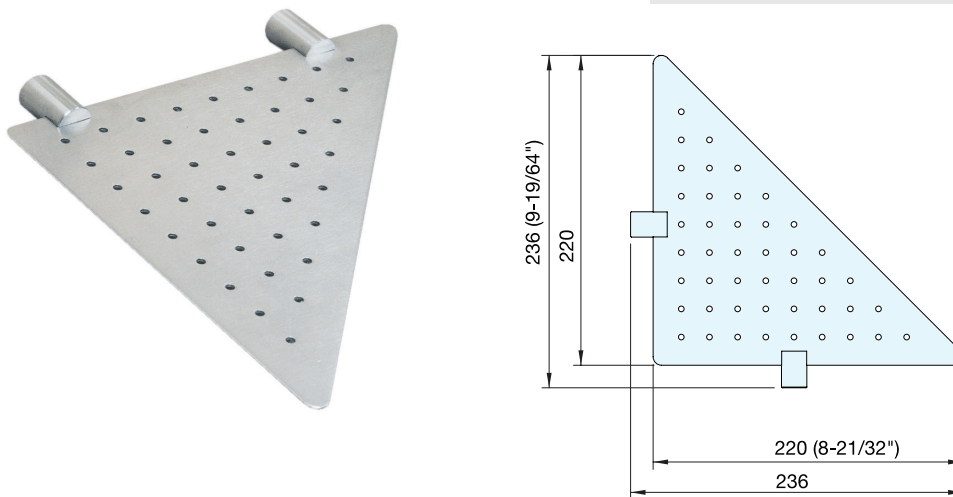
Material	Finish
303/304 Stainless Steel	Satin

SOAP HOLDER/SHELF (CORNER MOUNT)



DSC-05

- 2 posts included-posts can be attached anywhere along shelf edge.
- Supplied with screws, brackets, plastic expansion anchors and allen key.
- Not designed for drywall installation.



Item No.	Weight (g)	Box (pcs)	Carton (pcs)
DSC-05	420	1	10

Material	Finish
304 Stainless Steel	Satin