

TORQUE LID STAY (FREE STOP)



S-TAR

LID SUPPORTS

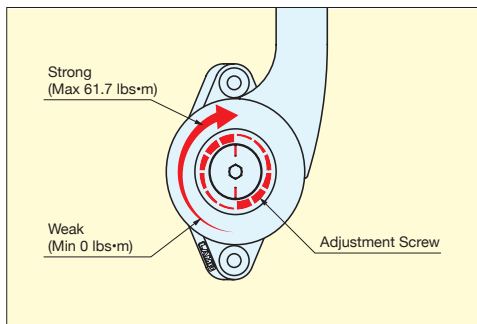
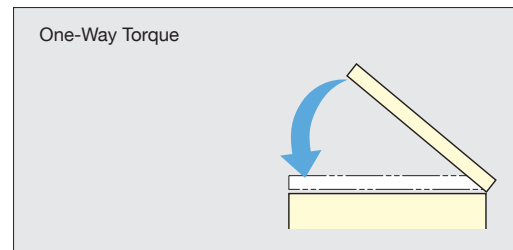
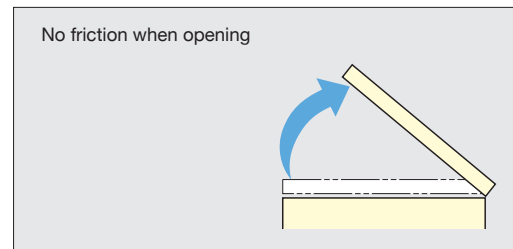
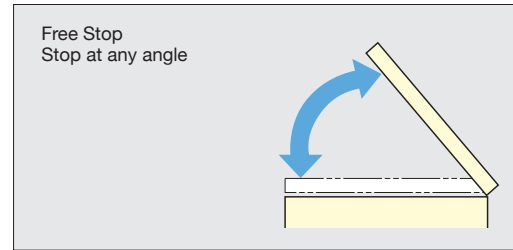
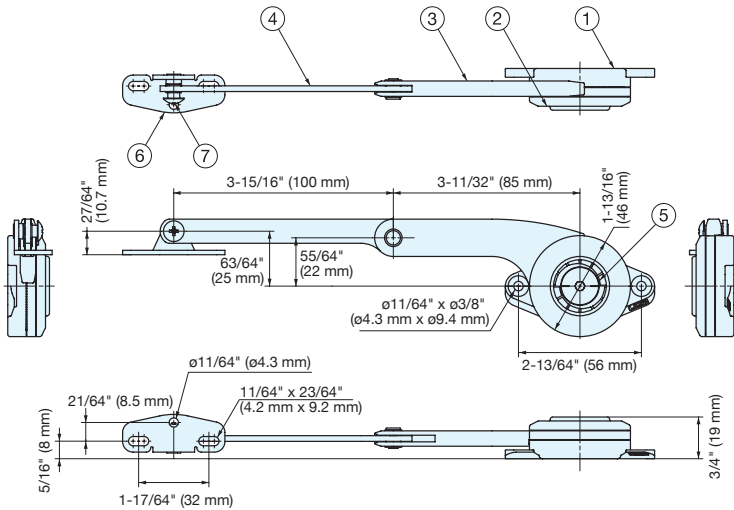
TORQUE LID STAYS (FREE STOP)



- Friction torque lid stay holds lid open at any position along its range of motion.
- Friction torque in one-way direction only.
- Torque strength adjustable
- Handed: specific left and right hand mounting.
- Can be used individually or in pairs.
- Torque Calculation:
- Torque = Door Height x 1/2 x Door Weight



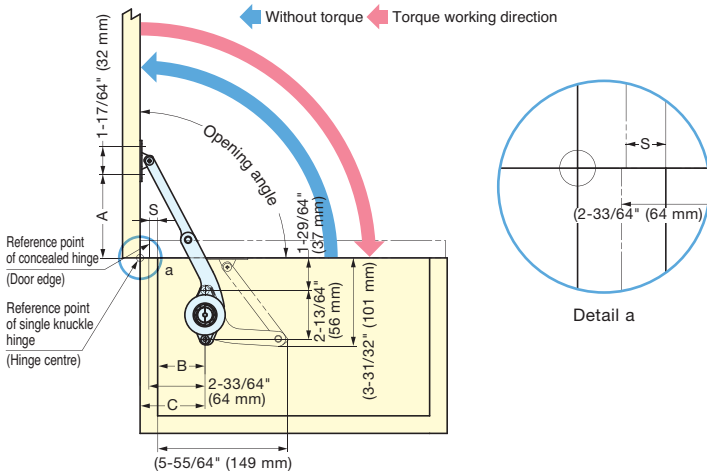
Opening Direction			Feature	Torque
			Free Stop	0~71 kgf-cm (0~61.7 lbs-in)



Item No.	Type	Application	Torque per piece (kgf-cm)	Weight (g)
S-TAR-2030R	Right	Top/Upward	0-71 (0-61.7 lbs-in)	234
S-TAR-2030L	Left			
S-TAR-10R	Right	Downward		
S-TAR-10L	Left			

No.	Part Name	Material	Finish/Color
①	Body	Zinc Alloy	Nickel
②	Cover		
③	Arm A		
④	Arm B	Steel	
⑤	Adjustment screw		
⑥	Mounting Plate		
⑦	Fix Screw		

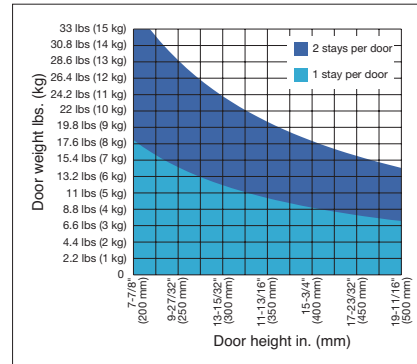
Installation (Top-opening) For right side board



S = Overlay by concealed hinge

Hinge	Opening Angle	A	B	C
Concealed Hinge	70°	4-31/64" (114 mm)	2-7/8"-S (73 mm-S)	-
Concealed Hinge	90°	3-55/64" (98 mm)	2-7/8"-S (73 mm-S)	-
Single Knuckle Hinge	70°	4-17/32" (115 mm)	-	3-1/32" (77 mm)
Single Knuckle Hinge	90°	3-21/32" (93 mm)	-	3-1/32" (77 mm)

Door Size Ranges (Top-opening)

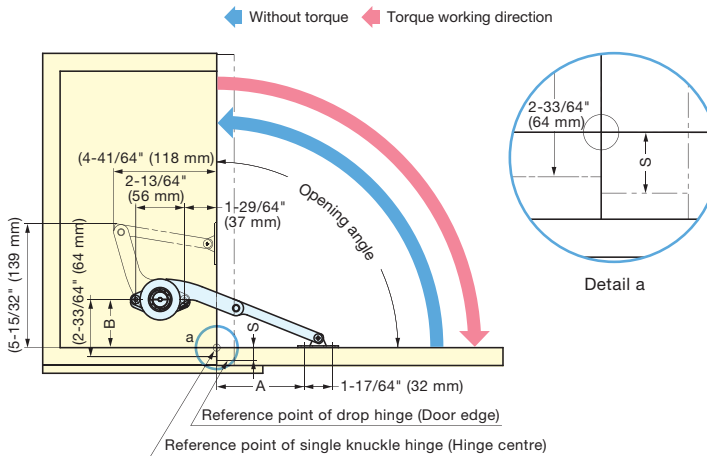


Maximum Door Moment

- With 1 stay
- Maximum door moment = Max. 71.7 lb-in (8.1 N-m)
- With 2 stays, the maximum door moment will be doubled.

Maximum door moment (N-m) = Door weight (kg) × 9.80665 × Distance from rotation centre to door centre of gravity (m)

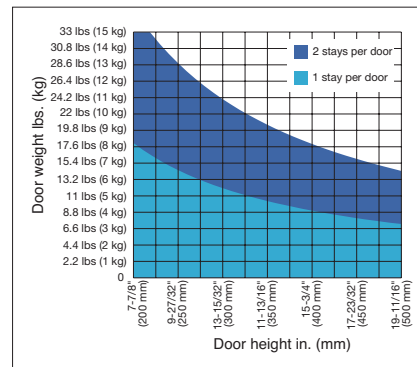
Installation (Downward-opening) For right side board



S = Overlay by drop hinge

Hinge	Opening angle	A	B
Drop Hinge	90°	3-57/64" (99 mm)	2-3/4"-S (70 mm-S)
Single Knuckle Hinge		3-15/16" (100 mm)	2-1/64" (51 mm)

Door Size Ranges (Downward-opening)

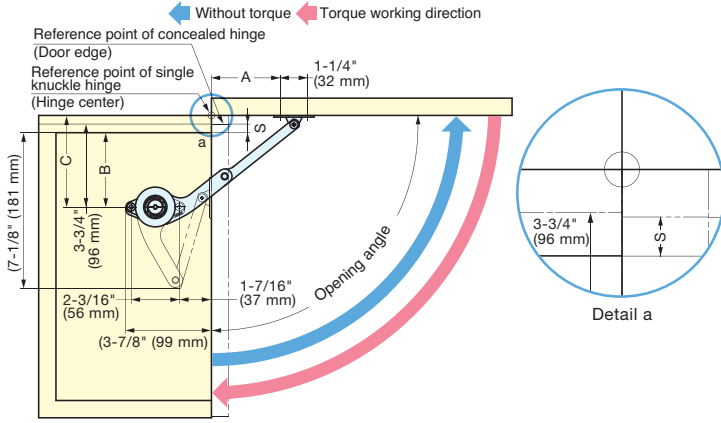


Maximum Door Moment

- With 1 stay
- Maximum door moment = Max. 82.3 lb-in (9.3 N-m)
- With 2 stays, the maximum door moment will be doubled.

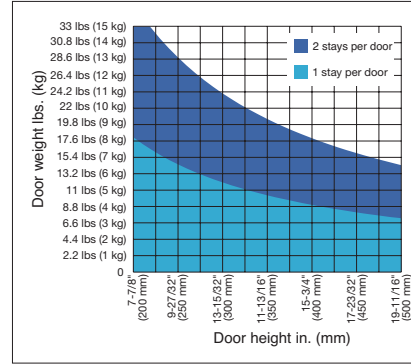
Maximum door moment (N-m) = Door weight (kg) × 9.80665 × Distance from rotation centre to door centre of gravity (m)

Installation (Upward-opening) For right side board



S = Overlay by concealed hinge

Door Size Ranges (Upward-opening)



Hinge	Opening Angle	A	B	C
Concealed Hinge	80°	3-7/8" (98 mm)	4-1/8" (105 mm-S)	-
Concealed Hinge	90°	3-7/16" (88 mm)		
Concealed Hinge	100°	3-1/8" (80 mm)		
Single Knuckle Hinge	80°	3-9/16" (90 mm)	-	4-5/16" (109 mm)
Single Knuckle Hinge	90°	3" (77 mm)		
Single Knuckle Hinge	100°	2-5/8" (66 mm)		

Maximum Door Moment

- With 1 stay
- Maximum door moment = Max. 65.5 lb-in (7.4 N-m)
- With 2 stays, the maximum door moment will be doubled.

Maximum door moment (N-m) = Door weight (kg) × 9.80665 × Distance from rotation centre to door centre of gravity (m)

Body

Item No.	Type	Torque /pc	Opening Direction	Weight (g)
S-TAR-2030R	Right	0-61.7 lbs-in (0-71 kgf-cm)	Upward-opening, Top-opening	234
S-TAR-2030L	Left			
S-TAR-10R	Right		Downward-opening	
S-TAR-10L	Left			

Mounting Plate (Sold Separately)

Item No.	Type	Weight (g)
NSDX-CZ	Clip-on	13
NSDX-AZ	Clip-on for 20 mm Aluminium Frame Door	11
NSDX-GZ	Clip-on for Glass Door	14

SDS Face Plate and Spacer for Glass Door (Sold Separately. Please use with mounting plate NSDX-GZ.)

Item No.	Material	Finish/Color	Weight (g)
SDS-50G-CR	Zinc Alloy (ZDC)/ABS	Chrome/Black	26
SDS-50G-BL		Black Enamel Finish	25