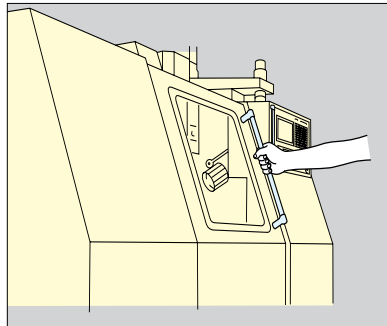
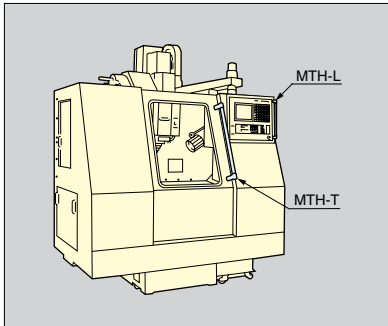
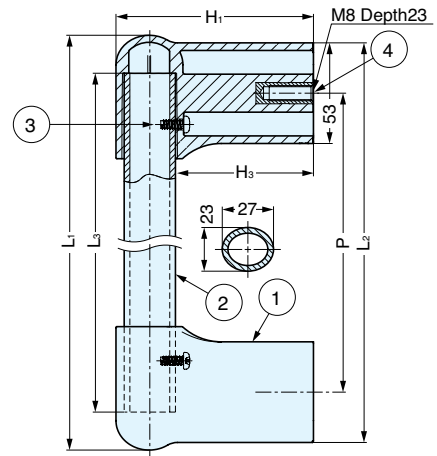
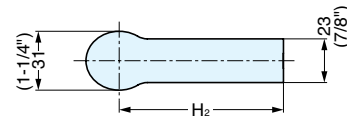


# LARGE HANDLE (ALUMINUM PIPE)



MTH

- Aluminum handle with different length options for various applications.
- Can be cut to customfit applications.



HANDLES, PULLS & KNOBS  
LARGE HANDLES

No.	Part Name	Material	Finish/Color
①	Bracket	Polyamide	Black
②	Pipe	Aluminum Alloy	Anodized
③	Screw 5x12	Steel	Yellow Zinc Chromate
④	Nut	Brass	-

Item No.	Load Capacity (kgf)	L <sub>1</sub>	L <sub>2</sub>	L <sub>3</sub>	P	H <sub>1</sub>	H <sub>2</sub>	H <sub>3</sub>	Weight (g)
MTH-L300	51 (112lbs)	360 (14-11/64")	352 (13-55/64")	320 (12-19/32")	300 (11-13/16")	174 (2-29/32")	56.5 (2-7/32")	43 (1-11/16")	360
MTH-L450		510 (20-5/64")	502 (19-49/64")	470 ( 18-1/2")	450 (17-23/32")				445
MTH-L600		660 (25-63/64")	652 (25-43/64")	620 (24-13/32")	600 ( 23-5/8" )				530
MTH-T300		360 (14-11/64")	352 (13-55/64")	320 (12-19/32")	300 (11-13/16")	104 (4-3/32")	86.5 (3-23/64")	73 ( 2-7/8" )	430
MTH-T450		510 (20-5/64")	502 (19-49/64")	470 ( 18-1/2")	450 (17-23/32")				515
MTH-T600		660 (25-63/64")	652 (25-43/64")	620 (24-13/32")	600 ( 23-5/8" )				600