

# TORQUE HINGE (DUAL AXIS)

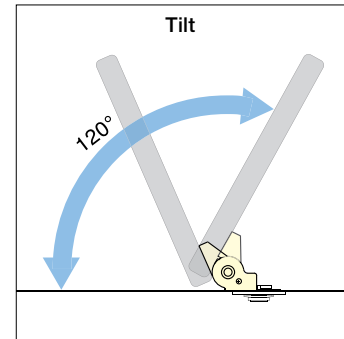
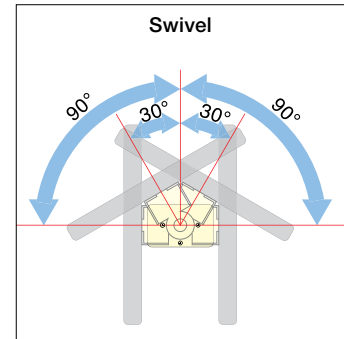
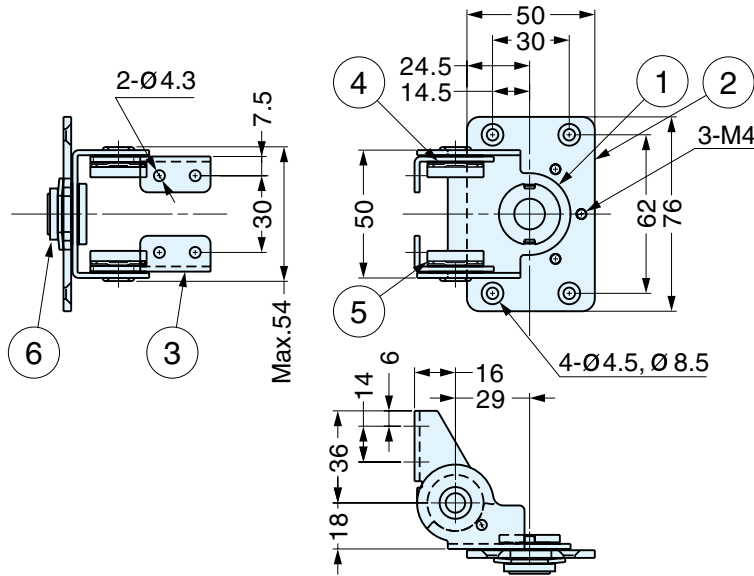
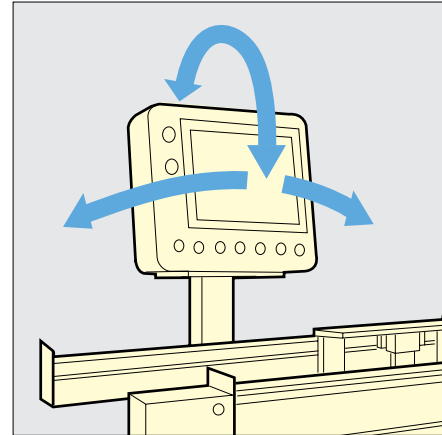


## HG-T70S30

- Dual Axis: free stop at any angle in tilt & swivel.
- Provides torque stability in both directions.
- Suitable for monitor screens.



Dual AXIS Torque Hinge



\*Angle restriction hole options with inserted pin/screw (not included).  
TILT 0-120° & SWIVEL ± 30°, ± 90°

Item No.	Torque per piece (tilting)	Torque per piece (swiveling)
HG-T70S30	62 lbs-in ± 15%	26.6 lbs-in ± 15%

No.	Torque Direction	Material	Finish
①	Body	430 Stainless Steel	Polished
②	Base		
③	Bracket	Steel	Plain
④	Spring Washer		
⑤	Shaft	303 Stainless Steel	Polished
⑥	Washer	430 Stainless Steel	