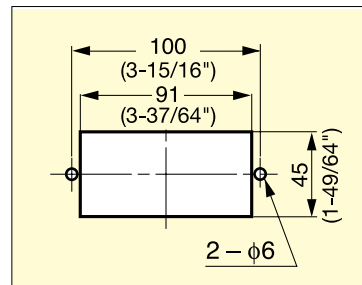
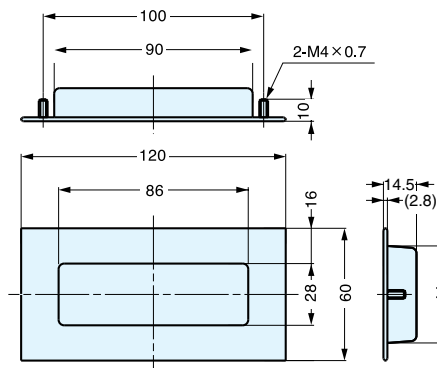


RECESSED PULL (TITANIUM)



HH-AS2TI

- Recessed titanium handle.
- Lightweight
- High corrosion resistance.



Sheetmetal Cut Out Dimensions

Item No.	Weight (g)	Box (pcs)	Carton (pcs)
HH-AS2-TI	30	12	240

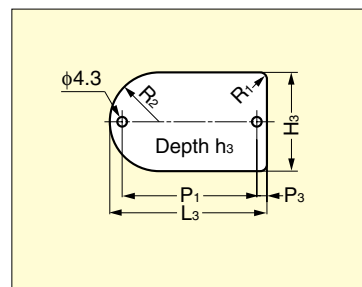
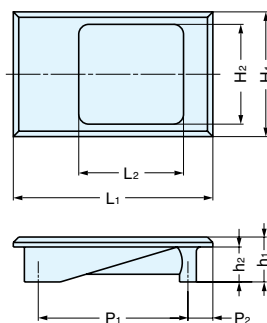
Material	Finish
Titanium	Shotblast

RECESSED PULL

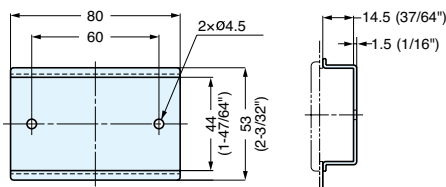


5103

- Sheetmetal mounting bracket, 5103-80 sold separately.



Sheetmetal Cut Out Dimensions



Mounting Bracket 5103-80 (sold separately)

Item No.	Description	Material	Finish
5103-55	Handle	Zinc Alloy	Satin Nickel
5103-80	Mounting Bracket		

Item No.	L ₁	L ₂	H ₁	H ₂	h ₁	h ₂	P ₁	P ₂	L ₃	H ₃	P ₃	R ₁	R ₂	h ₃
5103-55	55 (2-11/64")	31.5 (1-15/64")	40 (1-37/64")	31.5 (1-15/64")	15.5 (39/64")	12.5 (31/64")	32 (1-17/64")	16 (5/8")	46	35	10.0	2	18	12.5
5103-80	80 (3-5/32")	42.0 (1-21/32")	50 (1-31/32")	40.0 (1-37/64")	18.0 (45/64")	14.0 (35/64")	60 (2-23/64")	10 (25/64")	70	44	4.5	3	22	14.0