

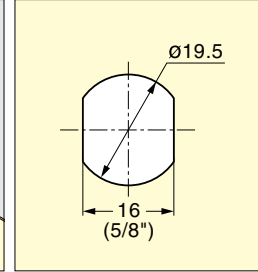
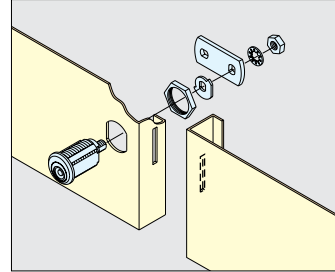
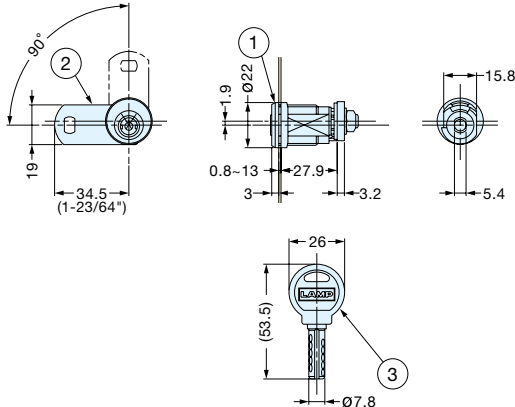
# SHEET METAL CAM LOCK



## DCY-34



- High security with special key design.
- Reversible key.
- 90 degree cam rotation.
- Key is removable in locked position only. (Key works as a knob in unlocked position.)
- Universal direction - Cam direction changeable.
- 2,000 key changes available. Please specify keyed alike or keyed differently when ordering.
- Master key type available at surcharge. (Maximum 866 key changes per master key)



Cut Out Dimensions

No.	Part Name	Material	Finish
①	Body	Brass	Chrome
②	Cam	Copper	
③	Key	Brass	Nickel

Item No.	Key Changes	Keys Included	Weight (g)	Box (pcs)	Carton (pcs)
DCY-34	2000	2	101	10	35

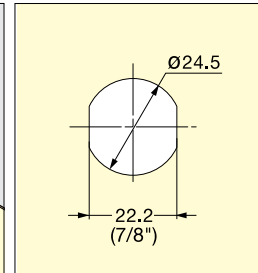
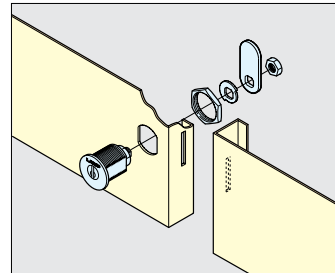
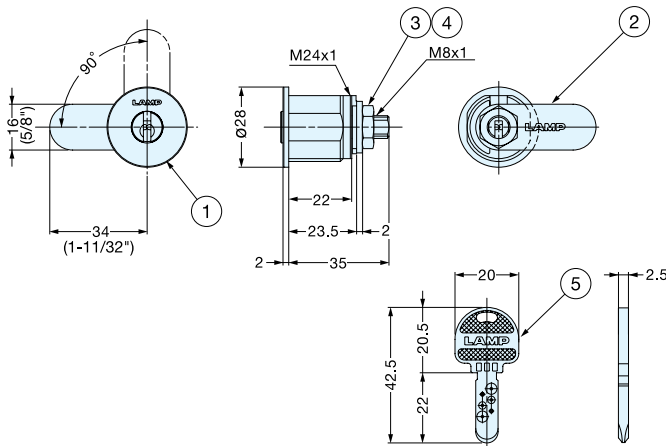
# SHEET METAL CAM LOCK



## 3800S



- High corrosion resistance.
- Reversible key.
- Key is removable in locked position only. (Key works as a knob in unlocked position.)
- Universal direction - Cam direction changeable.
- 300 key changes available. Please specify keyed alike or keyed differently when ordering.
- Master key type available at surcharge. (Maximum 300 key changes per master key)



Cut Out Dimensions

No.	Part Name	Material	Finish
①	Body	303 Stainless Steel	Satin
②	Cam	304 Stainless Steel	
③	Small Hex Nut	303 Stainless Steel	
④	Washer	304 Stainless Steel	
⑤	Key	Nickel Silver	-

Item No.	Key Changes	Keys Included	Weight (g)	Box (pcs)	Carton (pcs)
3800S	300	2	119	12	60