The background is a collage of various closet hardware components. At the top, there are two views of a closet rod: one showing a hanger on the rod and another showing the rod's end cap. In the bottom left, there is a view of a rod with several hangers. In the bottom right, there is a view of a vertical tie rack. A large, light blue rounded rectangle is centered over the collage, containing the main title and a list of product categories.

# CLOSET HARDWARE

CLOSET ROD LIFT MECHANISM  
HANGERS  
TIE RACKS

## CLOSET ROD LIFT MECHANISM

Picture	Item No.	Load Capacity (lbs)	Page
	TAS-800	17.6	522
	TAW-1200	33	522
	TAT-800	17.6	522
	TAB (BRACKET FOR TALLMAN HANG)	-	523
	TAC (COVER FOR TAB BRACKET)	-	523
	TAE (TAW EXTENSION ROD)	-	523

## HANGERS

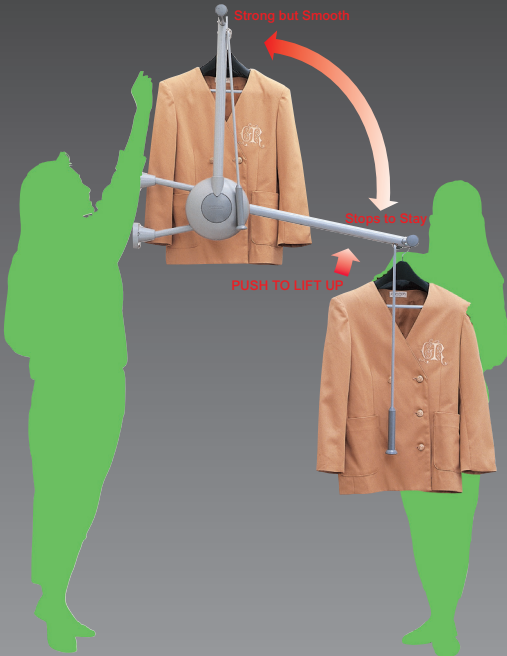
Picture	Item No.	Load Capacity (lbs)	Page
	UH SERIES	6.6	524
	W SERIES	8.8~13.2	524
	TE-700, TE-800	44	525
	A SERIES	11	526
	CK	3.3	526
	HM-250Y	6.6	527
	HM-250V	6.6	527
	HM-330	6.6	527

## TIE RACKS

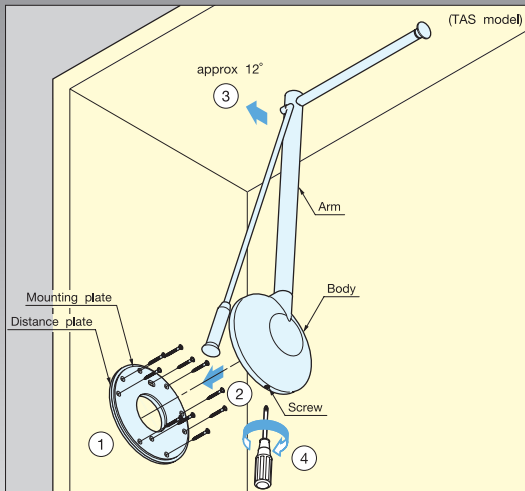
Picture	Item No.	Load Capacity (lbs)	Page
	MST-20	0.7	528
	TIEM	0.7	528
	TIE-33	0.7	528
	S-350	-	529
	STR	-	529
	DTR	-	529

# TALLMAN CLOSET ROD LIFT MECHANISM

Innovative closet storing mechanism to hang clothes in high places, allowing for your closet space to be utilized more efficiently.



- New Shock Absorbing Mechanism:**  
 Designed to soften sudden “pop-ups” even when rod is released halfway.  
 Allows the closet rod to stay at position when the rod is pulled all the way down.
- Easy to use:**  
 Easy to return the rod to its normal position.
- Simple to install:**  
 Install mounting plate on the wall, fasten rod unit to the mounting plate with one hidden screw.
- Choose your size:**  
 We offer single, double or a T-type to accommodate your space requirements.

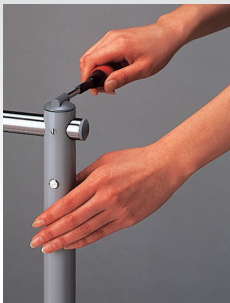


## Easy Installation:

- Secure the mounting plate in the selected area with screws.
- Insert the body into the fastening holes located on the mounting plate.
- Rotate the body until the arm is locked (approximately 12°).
- Simply secure the body to the mounting plate with one screw.

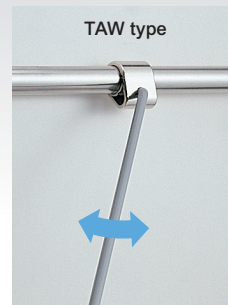


## Improved Pipe Fixture for TAS



Insert the pipe end into arm hole and tighten the pipe fixture by turning clockwise as shown.

## Flexible Pull Down Rod



Flexible pull down rod allows smooth operation.

Lapcon **TAS (SINGLE TYPE)**



TAS-800R/U (Right) Umber

- This single-type model is designed for installation on a side wall of a cabinet or closet.
- Both right-hand and left-hand models are available.

Load capacity: Up to 8 kg (17.6 lbs) (evenly distributed).  
 Packaging: 1 set/box (about 5 kg or 11 lbs).

Lapcon **TAW (DOUBLE TYPE)**



TAW-1200/U Umber

- The double-type model is designed for installation on side walls of a cabinet or closet, using it in full width.
- Adjusting the length of the rod is easily done in just one step.

Load capacity: Up to 15 kg (33 lbs) (evenly distributed).  
 Packaging: 1 set/box (about 9 kg or 19.8 lbs).

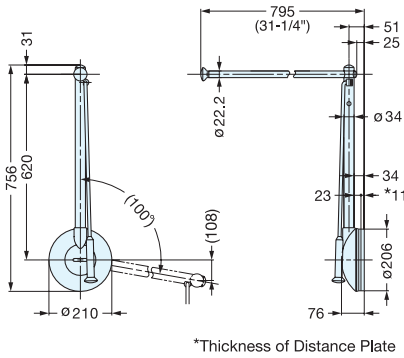
Lapcon **TAT (T-TYPE)**



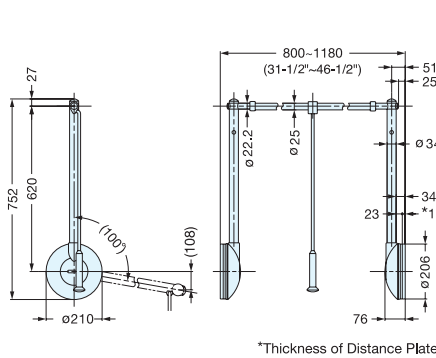
TAT-800R/G (Right) Grey

- The T-type model is designed for front facing installation with the use of a bracket which is sold separately (TAB).
- Create space more efficiently by separating short and long clothes.

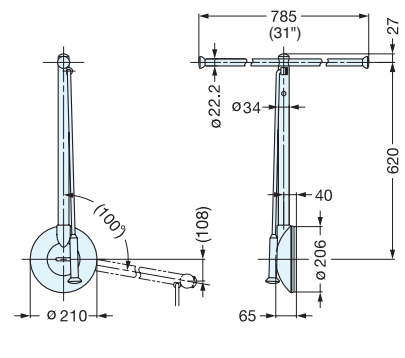
Load capacity: Up to 8 kg (17.6 lbs) (evenly distributed).  
 Packaging: 1 set/box (about 5 kg or 11 lbs).



\*Thickness of Distance Plate



\*Thickness of Distance Plate

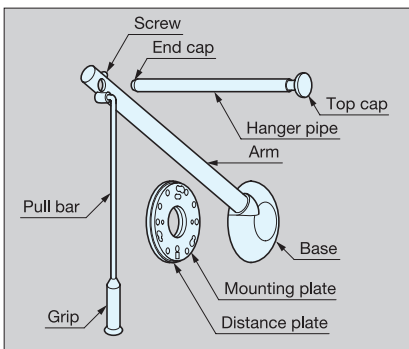


Product Specification	Grey (G)	Umber (U)
Right-Hand	TAS-800R/G	TAS-800R/U
Left-Hand	TAS-800L/G	TAS-800L/U

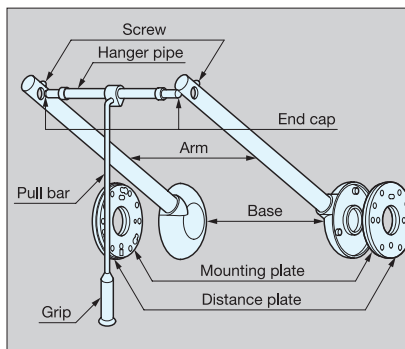
Product Specification	Grey (G)	Umber (U)
Right-Hand	TAW-1200/G	TAW-1200/U
Left-Hand	TAW-1200/G	TAW-1200/U

Product Specification	Grey (G)
Right-Hand	TAT-800R/G
Left-Hand	TAT-800L/G

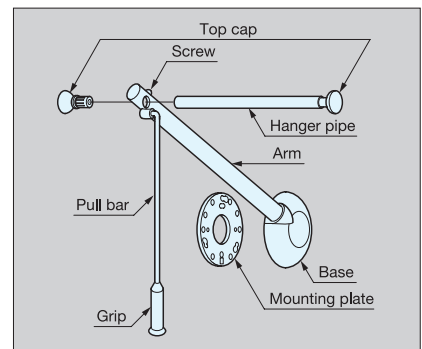
TAS-800L



TAW-1200



TAT-800L

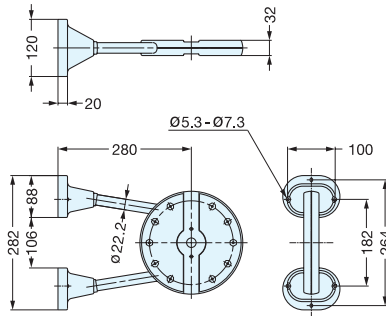
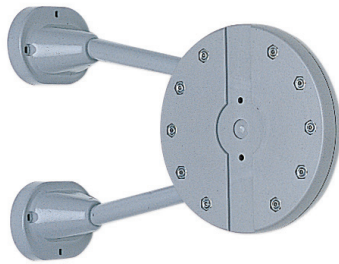




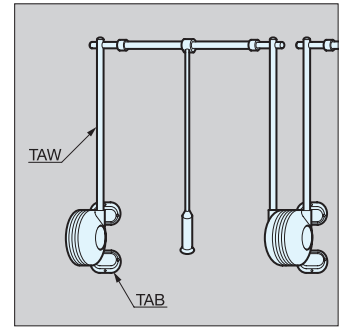
# BRACKET



# TAB



• Back wall mount bracket for TAS, TAW and TAT.

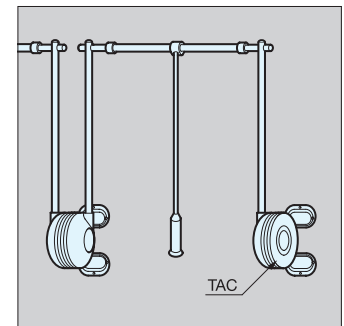
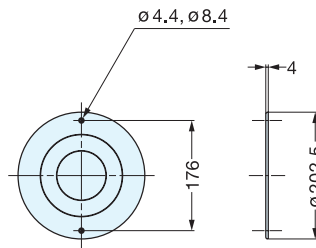


Item No.	Weight (kg)	Box (pcs)	Carton (pcs)	Material	Color
TAB/G	1.5 (3.3 lbs)	1	4	Steel/Plastic	Grey
TAB/U					Umber

# COVER FOR TAB BRACKET



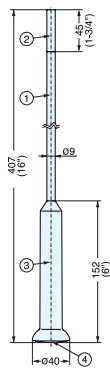
# TAC



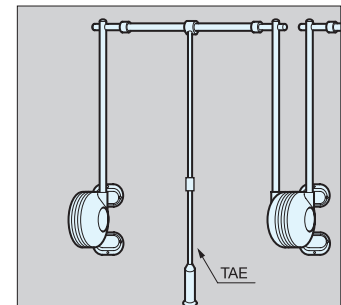
Item No.	Weight (kg)	Box (pcs)	Carton (pcs)	Material	Color
TAC/G	0.21 (0.46 lbs)	1	4	Steel	Grey
TAC/U					Umber

# EXTENSION ROD

# TAE



• 12" extension for pull down rod for TAW, TAS, and TAT.



Item No.	Weight (g)	Box (pcs)	Carton (pcs)	No.	Part Name	Material	Finish
TAE/G	300	10	50	①	Rod	Steel	Grey/Umber
TAE/U				②	Nut		Nickel
				③	Grip	ABS	Grey/Umber
				④	End Cap		

## EXTENSION HANGER

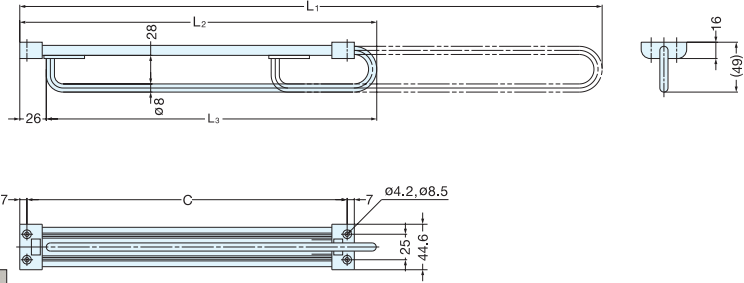
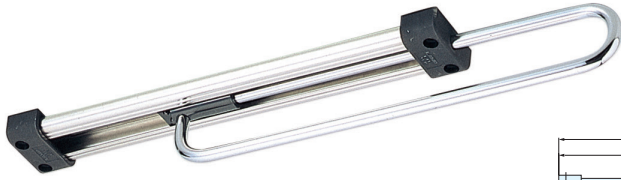
**LOAD CAPACITY**  
3 kg  
6.6 lbs

**TEST 5**  
P.696

**4x25**  
**STAINLESS**

## UH SERIES

- Space-saving, undermount design for narrow spaces.
- Includes 1" (M4 × 25) long screws.



Part Name	Material	Finish/Color
Hanger Rod	304 Stainless Steel	Chrome/Black
Rod Retainer	Steel	
End Cap	Plastic	

Item No.	L <sub>1</sub>	L <sub>2</sub>	L <sub>3</sub>	C	Load Capacity (kg)	Weight (g)	Box (pcs)	Carton (pcs)
UH-300	491 (19-21/64")	300	274	264 (10-25/64")	3 (6.6 lbs)	365	5	30
UH-350	571 (22-31/64")	350	324	314 (12-23/64")		440		
UH-400	636 ( 25-1/32" )	400	374	364 (14-21/64")		505		
UH-450	721 (28-25/64")	450	424	414 (16-19/64")		570		

## EXTENSION HANGER

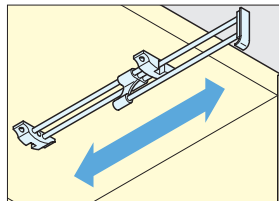
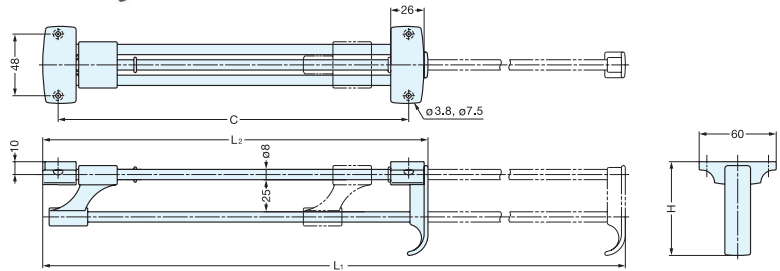
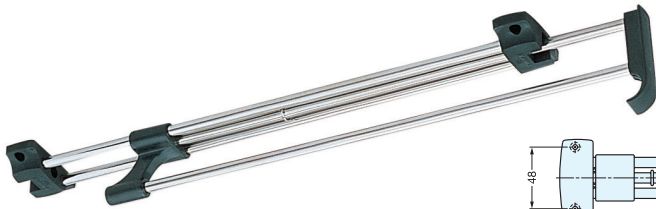
**LOAD CAPACITY**  
4-6 kg  
8.8-13.2 lbs

**TEST 5**  
P.696

**3.5x20**  
**STEEL**

## W SERIES

- Space-saving, undermount design for narrow spaces.
- Molded nylon finger grip for easy accessibility.
- Includes 3/4" (M3.5 × 20) long screws.



Part Name	Material	Finish/Color
Hanger Rod	Steel	Nickel/Black
Retainer Guide	Nylon	

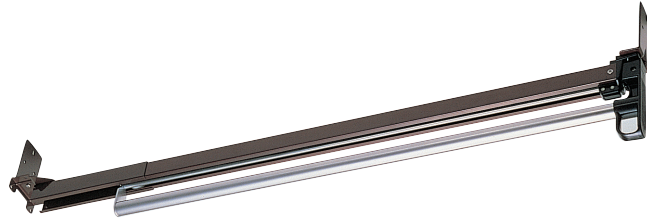
Item No.	L <sub>1</sub>	L <sub>2</sub>	H	C	Load Capacity (kg)	Weight (g)	Box (pcs)	Carton (pcs)
W-300	498 (19-39/64")	300 (11-13/16")	73	273	6 (13.2 lbs)	485	5	30
W-350	556 (21-57/64")	350 (13-25/32")		323	5 ( 11 lbs )	560		
W-400	628 (24-23/32")	400 ( 15-3/4" )		373	5 ( 11 lbs )	630		
W-450	698 (27-31/64")	450 (17-23/32")		423	4 (8.8 lbs )	715		

# EXTENSION HANGER

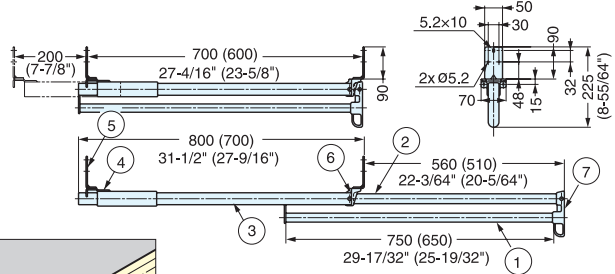
**LOAD CAPACITY**  
20 kg  
44 lbs

**4.5x20**  
**STEEL**

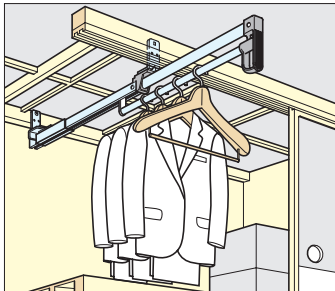
# TE-700, TE-800



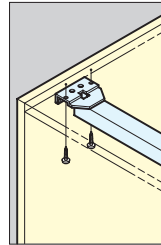
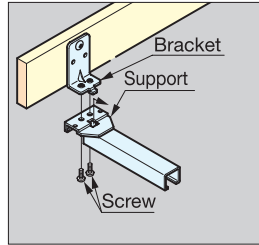
- Space-saving, undermount design for deep, narrow spaces.
- Use L-brackets (included) for side-mount.
- 7-7/8" rear support can be adjusted for shorter/longer spaces.
- Includes 3/4" (M4.5 x 20) long screws.



( ):TE700



Installation



No.	Part Name	Material	Finish
①	Hanger Rod	Steel	Chrome
②	Rod Retainer		
③	Retainer		
④	Support		
⑤	Bracket	Plastic	Black
⑥	Cap		
⑦	Pull		

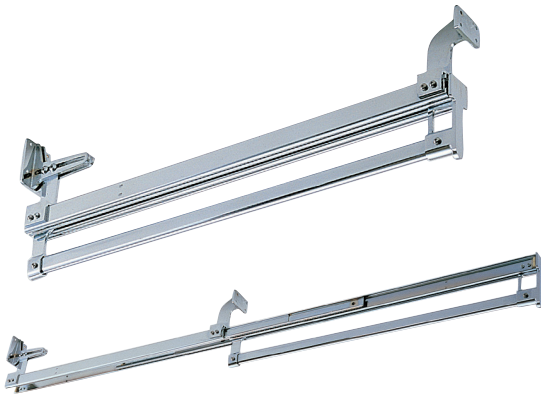
Item No.	Load Capacity (kg)	Weight (g)	Box (pcs)	Carton (pcs)
TE-700	20 (44 lbs)	2400	1	6
TE-800		2700		

# HEAVY DUTY EXTENSION HANGER

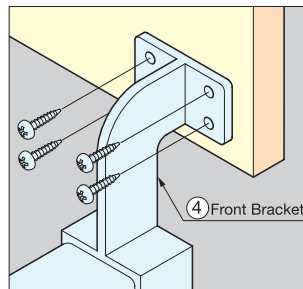
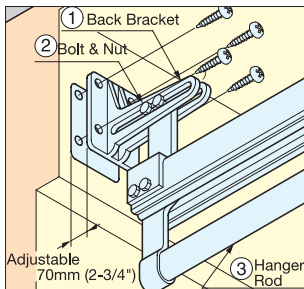
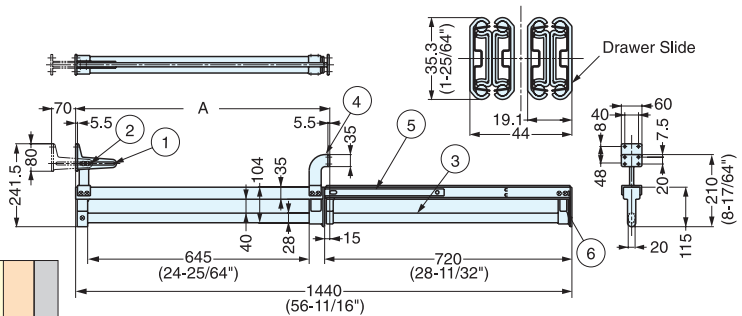
**LOAD CAPACITY**  
41 kg  
90 lbs

**4.5x20**  
**STEEL**

# SH740



- Space-saving, undermount design for narrow spaces.
- Bracket that incorporates drawer slide allows smooth movement.
- Back mounting bracket can be adjusted for shorter/longer spaces. (2-3/4")
- Includes 3/4" (M4.5 x 20) long screws.



No.	Material	Finish
①	Brass	Chrome
②	Steel	
③	Steel	
④	Brass	
⑤	Steel	
⑥	Brass	

Item No.	Load Capacity (kg)	Weight (g)	Box (pcs)	Carton (pcs)
SH740	41 (90 lbs)	5400	1	2

DISCONTINUED

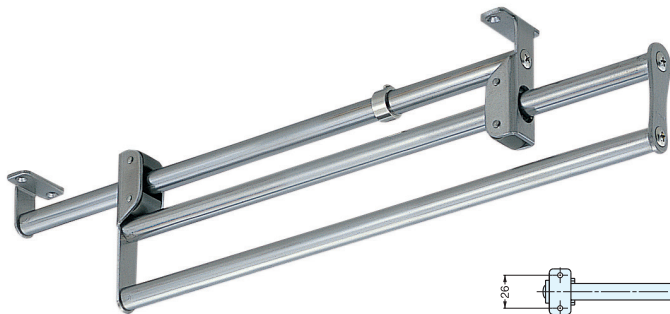
www.sugatsune.com

1-800-562-5267  
(U.S.A. Only)

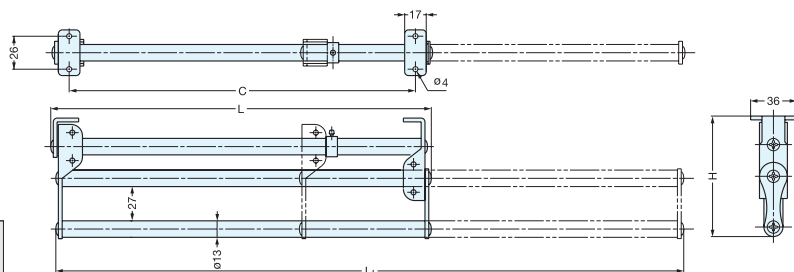
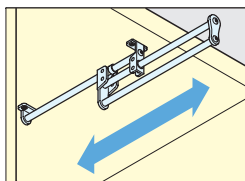
# EXTENSION HANGER



# A SERIES



- Space-saving, undermount design for narrow spaces.
- Includes 1" (3.5 × 25) long screws.



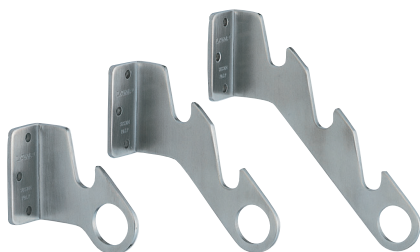
Material	Finish
430 Stainless Steel	Satin

Item No.	L <sub>1</sub>	L	H	C	Load Capacity (kg)	Weight (g)	Box (pcs)	Carton (pcs)
A-300	495 ( 19-31/64" )	300 ( 11-13/16" )	95	273	5 ( 11 lbs )	382	5	50
A-330	545 ( 21-29/64" )	330 ( 13" )		303		400		
A-360	598 ( 23-35/64" )	360 ( 14-11/64" )		333		440		
A-400	665 ( 26-3/16" )	400 ( 15-3/4" )		373		460		

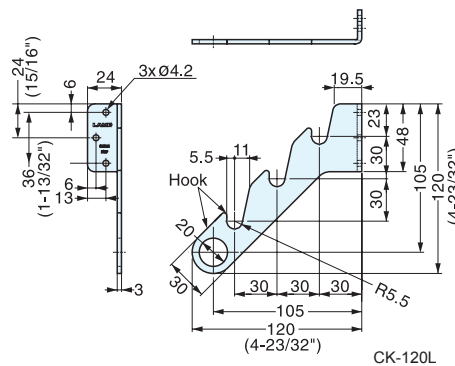
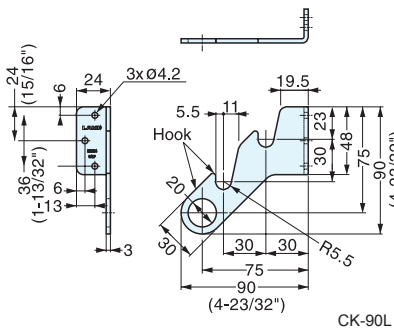
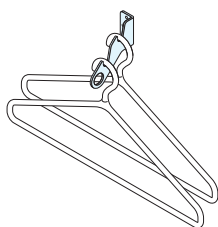
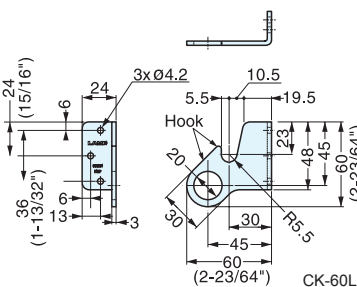
# HANGER BRACKET



# CK



- Light duty hanger brackets for hanging garments, umbrellas, etc.
- Available with multiple notches and 3/4" hole.
- Surface mount onto wood panel/stud.
- Not recommended for drywall installation, or for use with laundry rods.
- Includes 3/4" (M4 × 20) long screws.



Item No.	Load Capacity (kg)	Weight (g)	Box (pcs)	Carton (pcs)
CK- 60L	1.5 kg (3.3 lbs)	66	15	150
CK- 90L		90	15	150
CK-120L		113	10	100

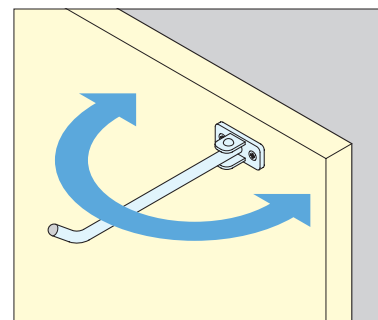
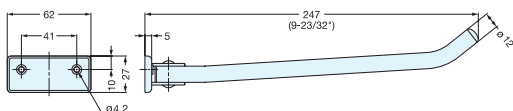
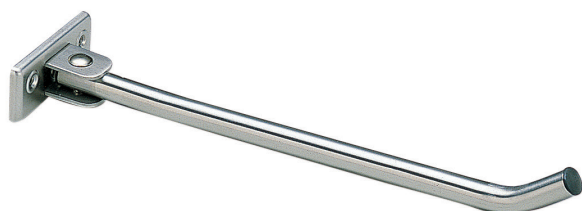
Material	Finish
304 Stainless Steel	Satin



# SWINGING HANGER



# HM-250Y

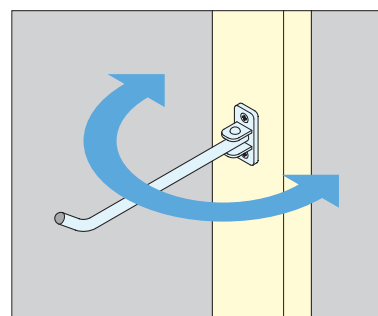
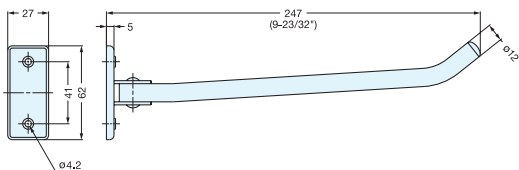


Item No.	Load Capacity (kg)	Weight (g)	Box (pcs)	Carton (pcs)	Material	Finish
HM-250Y	3 (6.6 lbs)	125	10	100	304 Stainless Steel	Satin

# SWINGING HANGER



# HM-250V

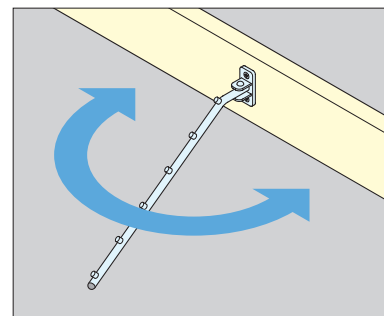
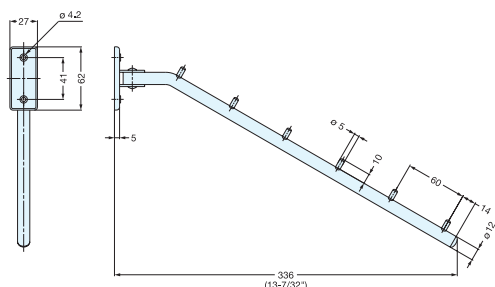
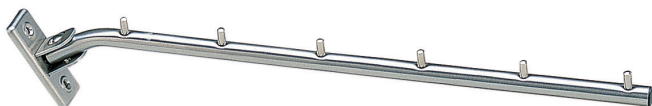


Item No.	Load Capacity (kg)	Weight (g)	Box (pcs)	Carton (pcs)	Material	Finish
HM-250V	3 (6.6 lbs)	120	10	100	304 Stainless Steel	Satin

# SWINGING HANGER



# HM-330



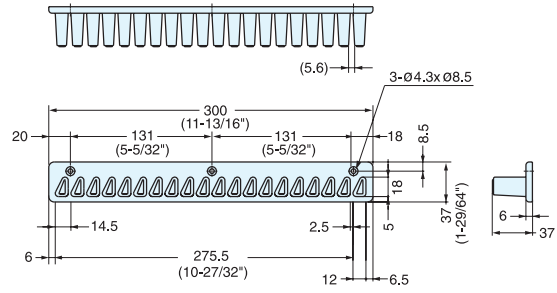
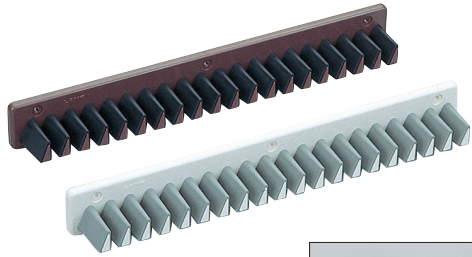
Item No.	Load Capacity (kg)	Weight (g)	Box (pcs)	Carton (pcs)	Material	Finish
HM-330	3 (6.6 lbs)	170	10	100	304 Stainless Steel	Satin

# TIE RACK

LOAD CAPACITY  
0.3 kg  
0.7 lbs

4x14  
STAINLESS

# MST-20



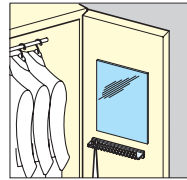
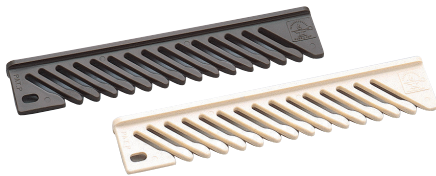
Item No.	Color	Load Capacity (kg)	Weight (g)	Box (pcs)	Carton (pcs)	Part Name	Material
MST-20BL	Brown	0.3 (0.7 lbs)	10.5	10	120	Body	ABS
MST-20GR	Ivory					Rubber	Elastomer

# TIE RACK

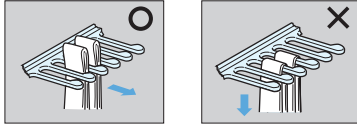
LOAD CAPACITY  
0.3 kg  
0.7 lbs

NO SCREW

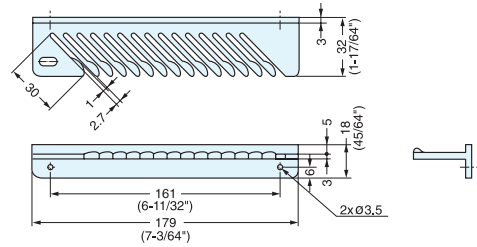
# TIEM



- Uniquely designed tie rack neatly organizes and holds ties without stretching them.
- Screws not included.



**•How to use**  
Folded necktie should be inserted in between TIEMATE arms. This will hold the tie without stretching it. Hanging ties on the arms is not recommended.



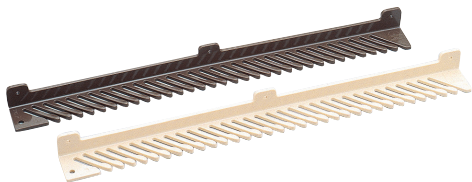
Item No.	Color	Load Capacity (kg)	Weight (g)	Box (pcs)	Carton (pcs)	Part Name	Material
TIEM-BR	Brown	0.3 (0.7 lbs)	22	20	400	Body	Polycarbonate
TIEM-I	Ivory						

# TIE RACK

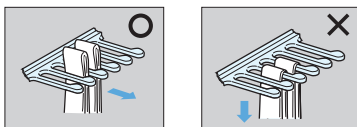
LOAD CAPACITY  
0.3 kg  
0.7 lbs

STEEL

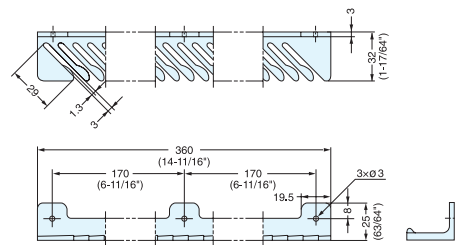
# TIE-33



- Uniquely designed tie rack neatly organizes and holds ties without stretching them.

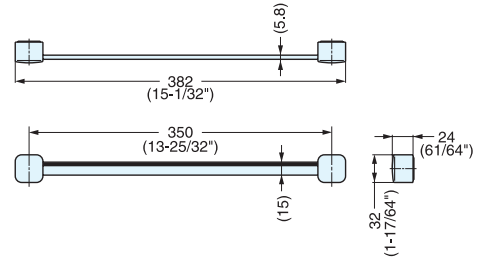


**•How to use**  
Folded necktie should be inserted in between TIEMATE arms. This will hold the tie without stretching it. Hanging ties on the arms is not recommended.



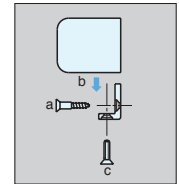
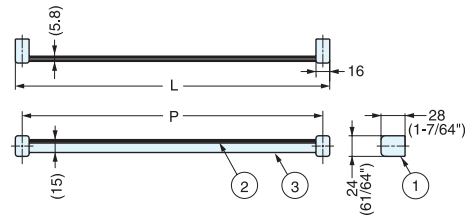
Item No.	Color	Load Capacity (kg)	Weight (g)	Box (pcs)	Carton (pcs)	Part Name	Material
TIE-33BR	Brown	0.3 (0.7 lbs)	50	20	300	Body	Polycarbonate
TIE-33I	Ivory						

# TIE RACK


**S-350**


Item No.	Color	Weight (g)	Box (pcs)	Carton (pcs)	Part Name	Material
S-350W	White	80	10	100	Bracket	ABS
S-350B	Black				Rod	304 Stainless Steel

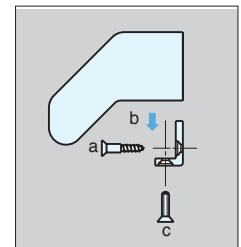
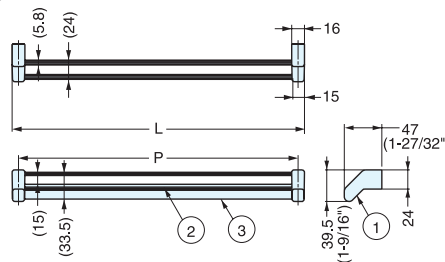
# TIE RACK


**STR**


	Part Name	Material	Color
①	Bracket	Zinc Alloy	Chrome
②	Anti-slip Strip	PVC	Black
③	Rod	304 Stainless Steel	Mirror

Item No.	L	P	Weight (g)	Box (pcs)	Carton (pcs)
STR-300	316 ( 12-7/16" )	300 (11-13/16")	160	10	60
STR-350	366 (14-13/32")	350 (13-25/32")	170		
STR-400	416 ( 16-3/8" )	400 ( 15-3/4" )	180		
STR-450	466 (18-11/32")	450 (17-23/32")	190		

# TIE RACK


**DTR**


	Part Name	Material	Color
①	Bracket	Zinc Alloy	Chrome
②	Anti-slip Strip	PVC	Black
③	Rod	304 Stainless Steel	Mirror

Item No.	L	P	Weight (g)	Box (pcs)	Carton (pcs)
DTR-350	366 (14-13/32")	350 (13-25/32")	250	5	30
DTR-400	416 ( 16-3/8" )	400 ( 15-3/4" )	270		
DTR-450	466 (18-11/32")	450 (17-23/32")	285		

